

COMPAL CONFIDENTIAL

MODEL NAME : *NCL00 NCL10(ATG)*

PCB NO : *LA-5471P (DA80000G710)*

E2 Rothschild UMA

rPGA Arrandale +
FCBGA PCH IBEXPEAK-M

2010-1-20

REV : 1.0(A00)

@ : Nopop Component

MB Type	BOM P/N	PCMCIA	Express	TCM		TPM		ATG		BOM CONFIG	
		1@	2@	W(3@)	W/O(4@)	W(5@)	W/O(6@)	7@	8@		9@
PCMCIA CARD EN,TPM EN,TCM DIS	43177931L11	*			*	*					1@,4@,5@
EXPRESS CARD EN,TPM EN,TCM DIS	43177931L14		*		*	*					2@,4@,5@
PCMCIA CARD EN,TCM EN,TPM DIS	43177931L12	*		*			*				1@,3@,6@
EXPRESS CARD EN,TCM EN,TPM DIS	43177931L15		*	*			*				2@,3@,6@
PCMCIA CARD EN,ALL TPM DISABLE	43177931L13	*			*		*				1@,4@,6@
EXPRESS CARD EN,ALL TPM DISABLE	43177931L16		*		*		*				2@,4@,6@
PCMCIA CARD EN,TPM EN,TCM DIS	43177931L01	*			*	*			*		1@,4@,5@,9@
PCMCIA CARD EN,TCM EN,TPM DIS	43177931L02	*		*			*		*		1@,3@,6@,9@
PCMCIA CARD EN,ALL TPM DISABLE	43177931L03	*			*		*		*		1@,4@,6@,9@

MB PCB	
Part Number	Description
DA80000G700	PCB 0AY LA-5471P REV0 M/B UMA

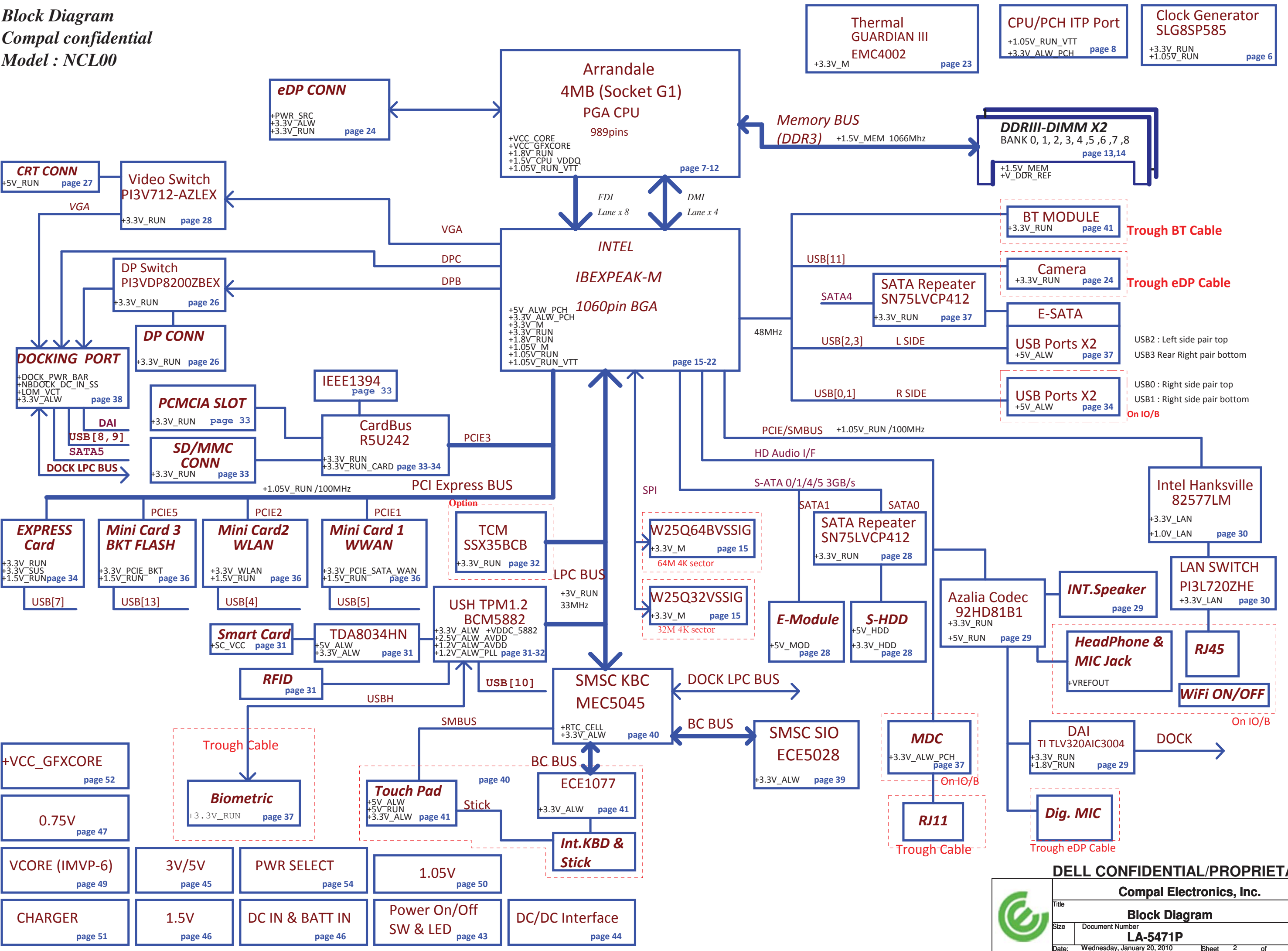
PROPRIETARY NOTE: THIS SHEET OF ENGINEERING DRAWING AND SPECIFICATIONS CONTAINS CONFIDENTIAL TRADE SECRET AND OTHER PROPRIETARY INFORMATION OF DELL INC. ("DELL") THIS DOCUMENT MAY NOT BE TRANSFERRED OR COPIED WITHOUT THE EXPRESS WRITTEN AUTHORIZATION OF DELL. IN ADDITION, NEITHER THIS SHEET NOR THE INFORMATION IT CONTAINS WAY BE USED BY OR DISCLOSED TO ANY THIRD PARTY WITHOUT DELL'S EXPRESS WRITTEN CONSENT.




DELL CONFIDENTIAL/PROPRIETARY

Compal Electronics, Inc.

Title			Rev
Cover Sheet			1.0
Size	Document Number	Rev	
	LA-5471P	1.0	
Date:	Wednesday, January 20, 2010	Sheet	1 of 57



DELL CONFIDENTIAL/PROPRIETARY

		Compal Electronics, Inc.	
		Block Diagram	
Size	Document Number	Rev	
	LA-5471P	1.0	
Date:	Wednesday, January 20, 2010	Sheet	2 of 57

POWER STATES

Signal State	SLP S3#	SLP S4#	SLP S5#	S4 STATE#	SLP M#	ALWAYS PLANE	M PLANE	SUS PLANE	RUN PLANE	CLOCKS
S0 (Full ON) / M0	HIGH	HIGH	HIGH	HIGH	HIGH	ON	ON	ON	ON	ON
S3 (Suspend to RAM) / M1	LOW	HIGH	HIGH	HIGH	HIGH	ON	ON	ON	OFF	OFF
S4 (Suspend to DISK) / M1	LOW	LOW	HIGH	LOW	HIGH	ON	ON	OFF	OFF	OFF
S5 (SOFT OFF) / M1	LOW	LOW	LOW	LOW	HIGH	ON	ON	OFF	OFF	OFF
S3 (Suspend to RAM) / M-OFF	LOW	HIGH	HIGH	HIGH	LOW	ON	OFF	ON	OFF	OFF
S4 (Suspend to DISK) / M-OFF	LOW	LOW	HIGH	LOW	LOW	ON	OFF	OFF	OFF	OFF
S5 (SOFT OFF) / M-OFF	LOW	LOW	LOW	LOW	LOW	ON	OFF	OFF	OFF	OFF


PM TABLE

power plane State	+15V_ALW +5V_ALW +3.3V_ALW_PCH +3.3V_RTC_LDO	+3.3V_SUS +1.5V_MEM	+5V_RUN +3.3V_RUN +1.8V_RUN +1.5V_RUN +0.75V_DDR_VTT +VCC_CORE +1.05V_RUN_VTT +1.05V_RUN	+3.3V_M +1.05V_M	+3.3V_M +1.05V_M (M-OFF)
S0	ON	ON	ON	ON	ON
S3	ON	ON	OFF	ON	OFF
S5 S4/AC	ON	OFF	OFF	ON	OFF
S5 S4/AC don't exist	OFF	OFF	OFF	OFF	OFF

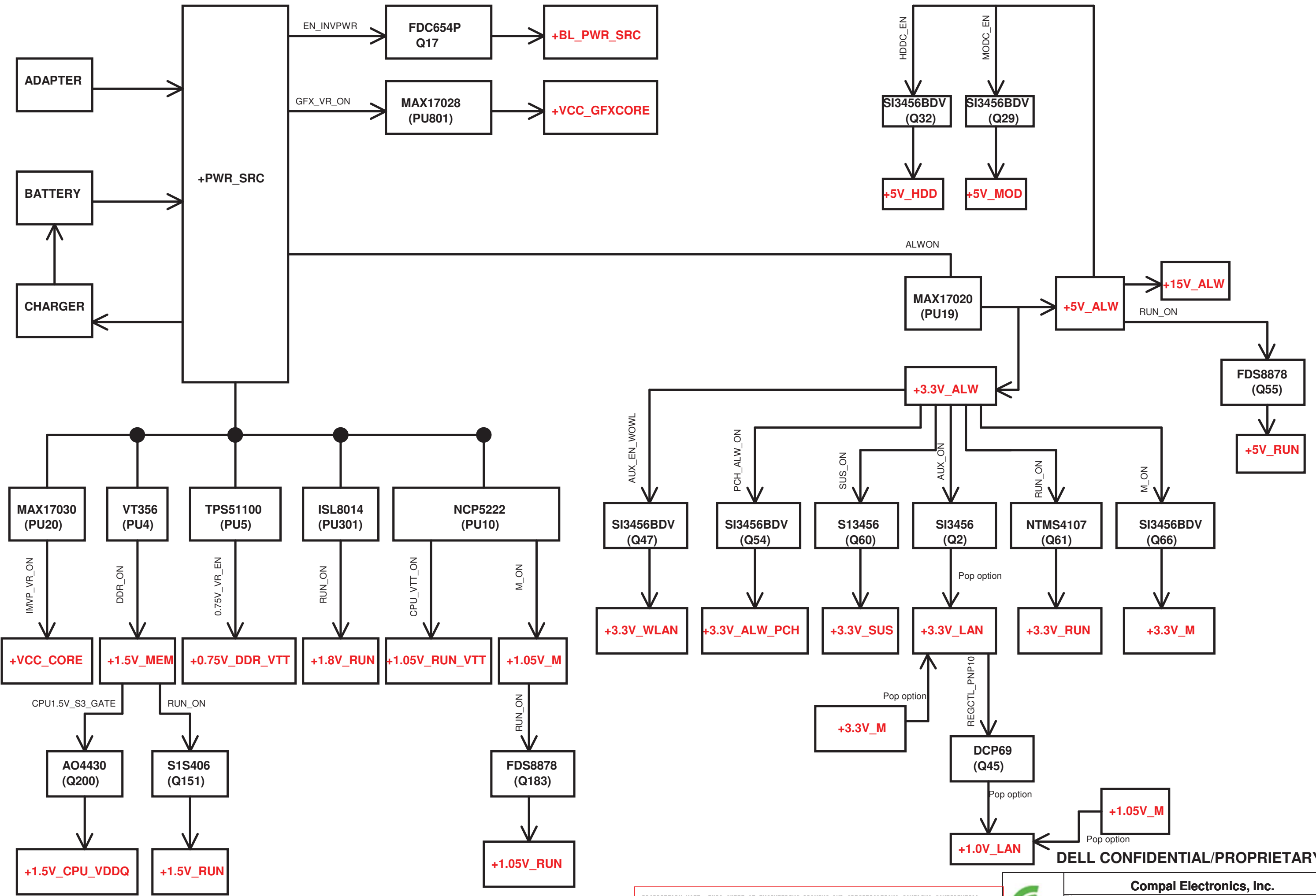
PCH	USB PORT#	DESTINATION
	0	JUSB1 (Ext Right Side Top)
	1	JUSB1 (Ext Right Side Bottom)
	2	JESA1 (Ext Left Side Top)
	3	JESA1 (Ext Left Side Bottom)
	4	WLAN
	5	WWAN
	6	Bluetooth
	7	USH->BIO
	8	DOCKING
	9	DOCKING
	10	Express card
	11	Camera
12	none	
13	JMINI3(PCIE/BKT CARD)	

PCI EXPRESS	DESTINATION
Lane 1	MINI CARD-1 WWAN
Lane 2	MINI CARD-2 WLAN
Lane 3	PCMCIA
Lane 4	EXPRESS CARD
Lane 5	MINI CARD-3 PCIE/BKT
Lane 6	10/100/1G LAN
Lane 7	None
Lane 8	None

DELL CONFIDENTIAL/PROPRIETARY

		Compal Electronics, Inc.	
		Title Index and Config.	
Size	Document Number	Rev	
	LA-5471P	1.0	
Date:	Wednesday, January 20, 2010	Sheet	3 of 57

PROPRIETARY NOTE: THIS SHEET OF ENGINEERING DRAWING AND SPECIFICATIONS CONTAINS CONFIDENTIAL TRADE SECRET AND OTHER PROPRIETARY INFORMATION OF DELL INC. ("DELL") THIS DOCUMENT MAY NOT BE TRANSFERRED OR COPIED WITHOUT THE EXPRESS WRITTEN AUTHORIZATION OF DELL. IN ADDITION, NEITHER THIS SHEET NOR THE INFORMATION IT CONTAINS MAY BE USED BY OR DISCLOSED TO ANY THIRD PARTY WITHOUT DELL'S EXPRESS WRITTEN CONSENT.

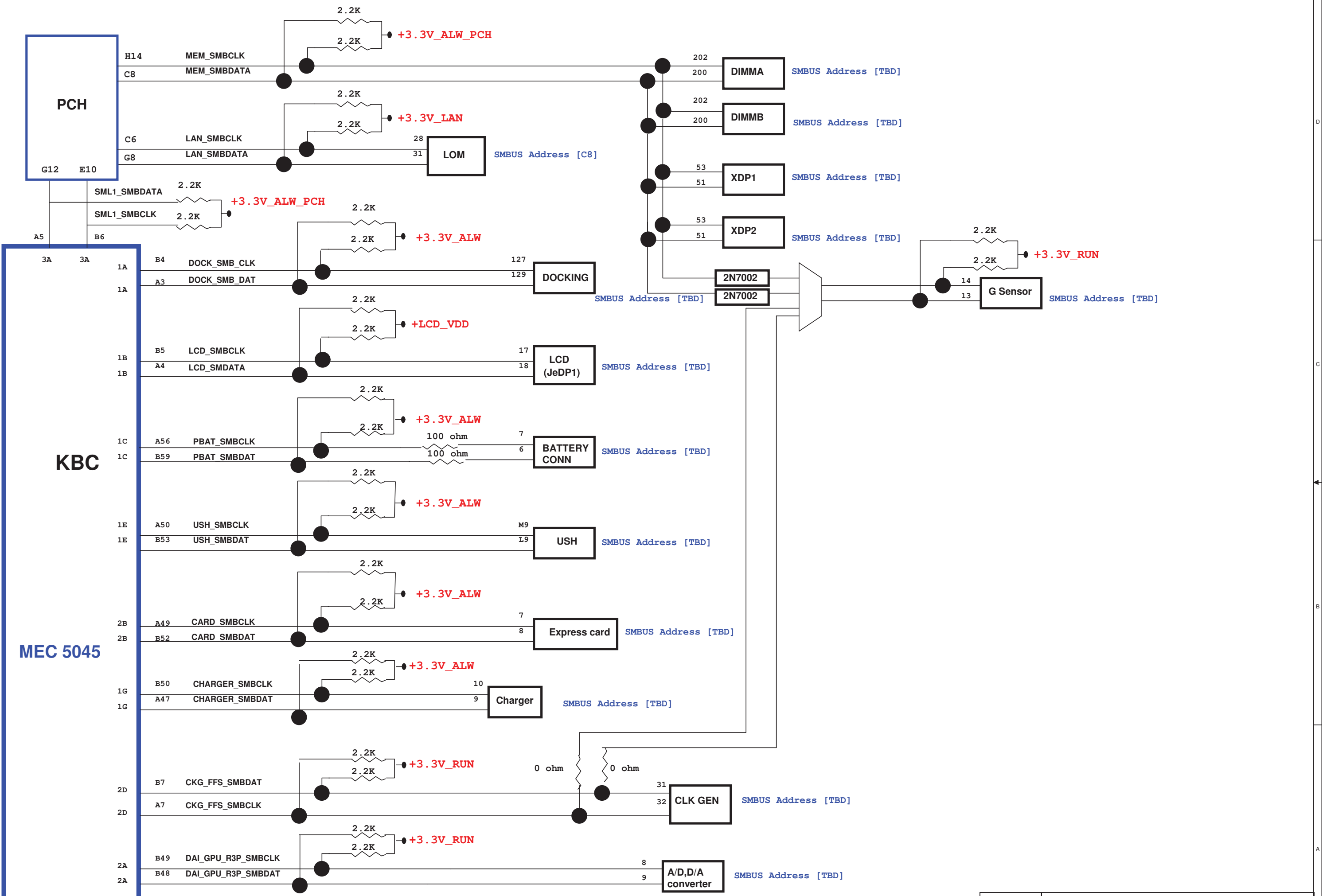


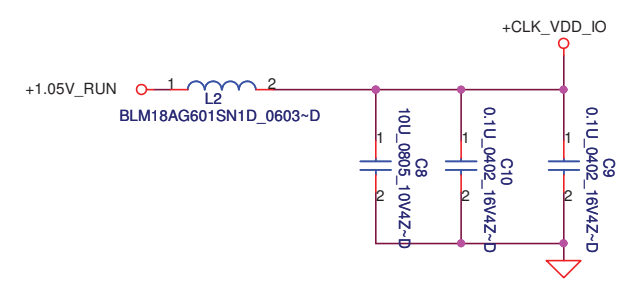
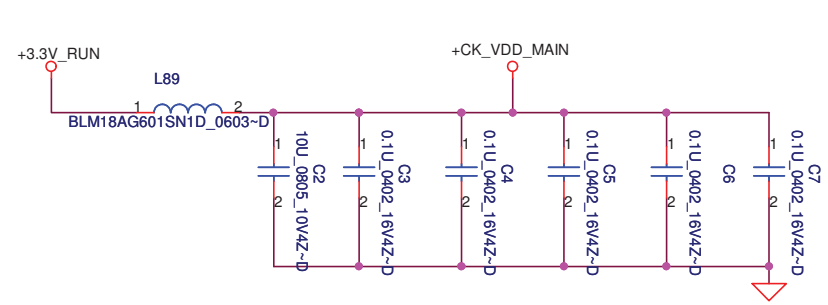
DELL CONFIDENTIAL/PROPRIETARY

PROPRIETARY NOTE: THIS SHEET OF ENGINEERING DRAWING AND SPECIFICATIONS CONTAINS CONFIDENTIAL TRADE SECRET AND OTHER PROPRIETARY INFORMATION OF DELL INC. ("DELL") THIS DOCUMENT MAY NOT BE TRANSFERRED OR COPIED WITHOUT THE EXPRESS WRITTEN AUTHORIZATION OF DELL. IN ADDITION, NEITHER THIS SHEET NOR THE INFORMATION IT CONTAINS MAY BE USED BY OR DISCLOSED TO ANY THIRD PARTY WITHOUT DELL'S EXPRESS WRITTEN CONSENT.

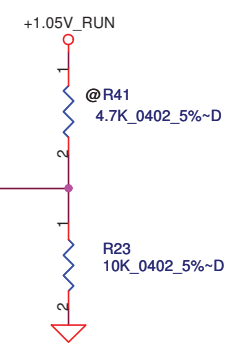
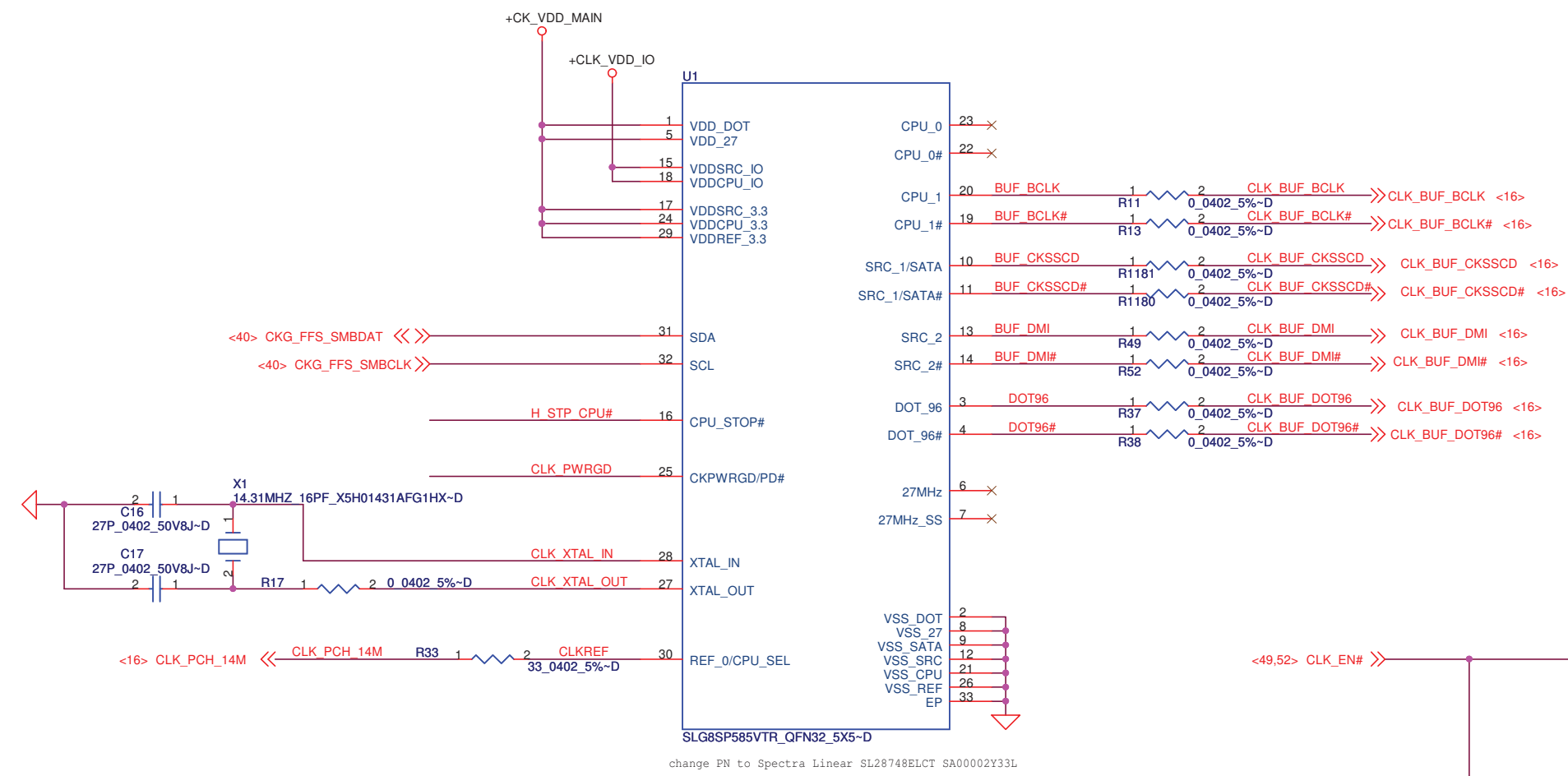
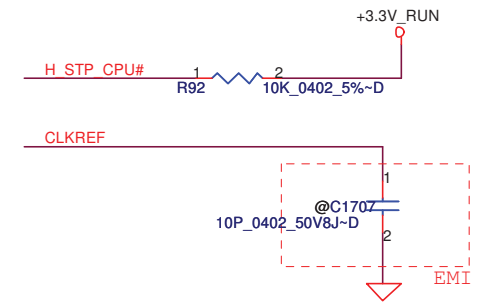


Compal Electronics, Inc.			
Title Power Rail			
Size	Document Number	Rev	
	LA-5471P	1.0	
Date:	Wednesday, January 20, 2010	Sheet	4 of 57



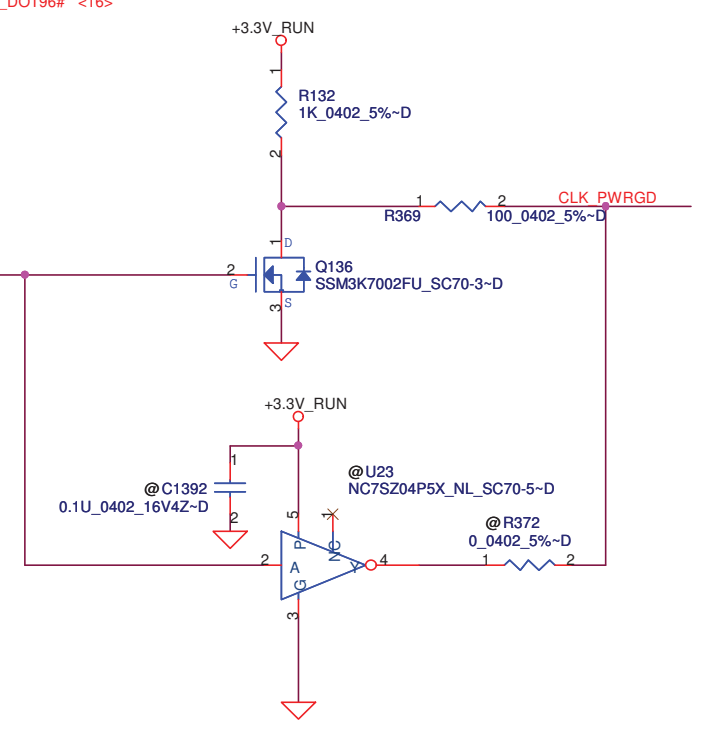


+CLK_VDD_IO CAN BE CHANGE FROM 1.05V TO 3V



REF_0/CPU_SEL

PIN 30	CPU0	CPU1
1 (0.7~1.5v)	100MHz	100MHz
0 (DEFAULT)	133MHz	133MHz



PROPRIETARY NOTE: THIS SHEET OF ENGINEERING DRAWING AND SPECIFICATIONS CONTAINS CONFIDENTIAL TRADE SECRET AND OTHER PROPRIETARY INFORMATION OF DELL INC. ("DELL") THIS DOCUMENT MAY NOT BE TRANSFERRED OR COPIED WITHOUT THE EXPRESS WRITTEN AUTHORIZATION OF DELL. IN ADDITION, NEITHER THIS SHEET NOR THE INFORMATION IT CONTAINS MAY BE USED BY OR DISCLOSED TO ANY THIRD PARTY WITHOUT DELL'S EXPRESS WRITTEN CONSENT.



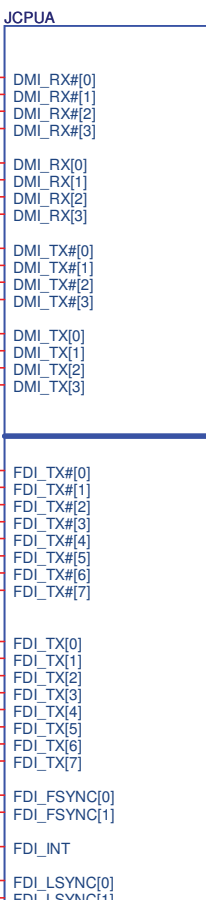
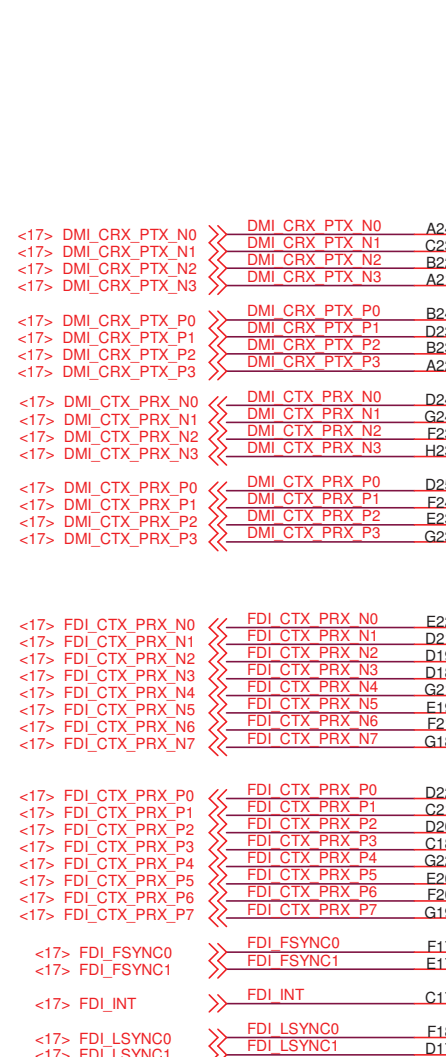
DELL CONFIDENTIAL/PROPRIETARY

Compal Electronics, Inc.

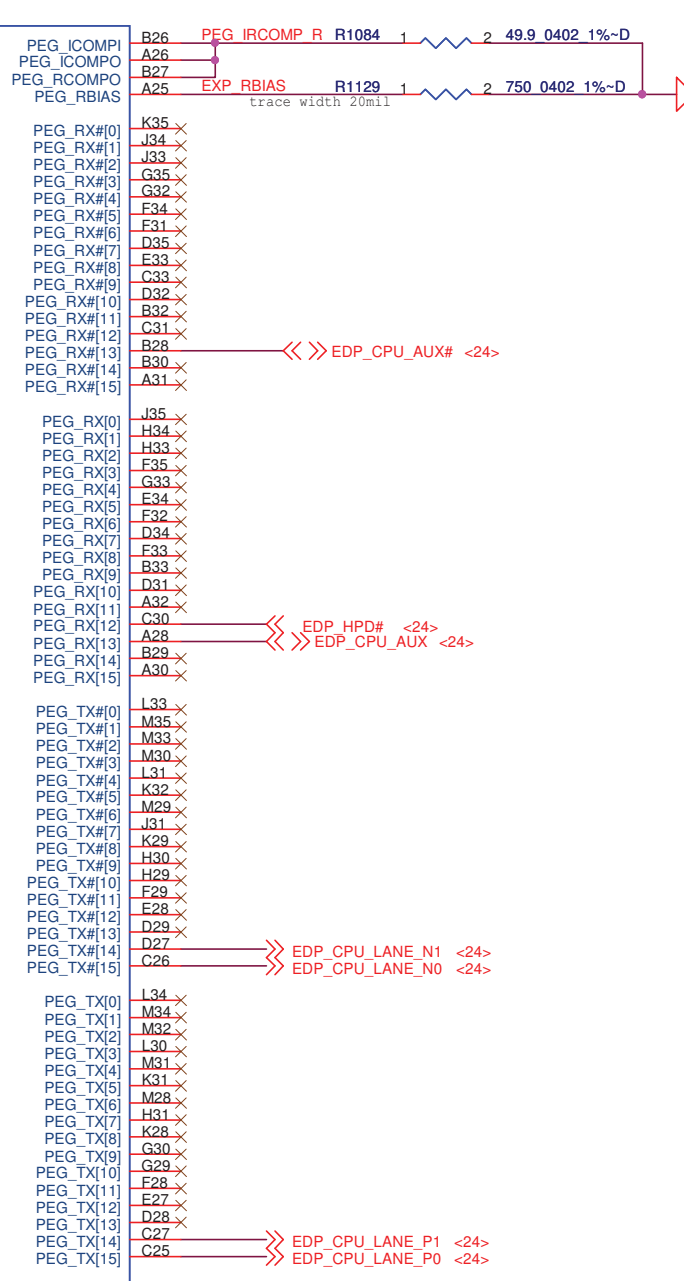
Title: **Clock Generator**

Size: Document Number **LA-5471P** Rev 1.0

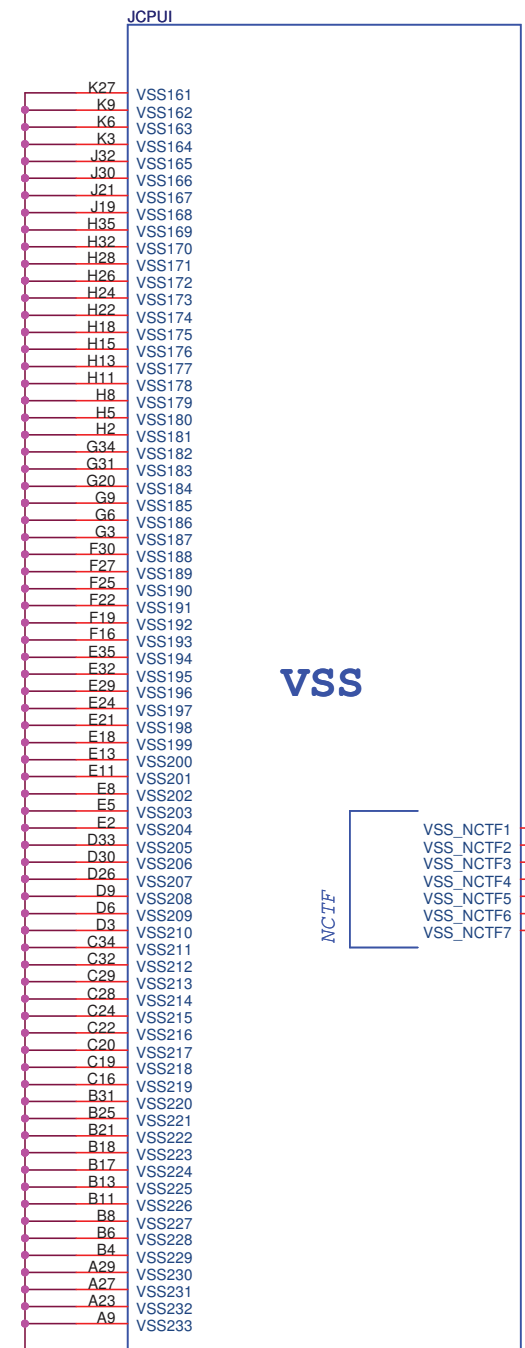
Date: Wednesday, January 20, 2010 Sheet 6 of 57



DMI
PCI EXPRESS
GRAPHICS



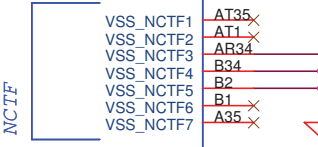
REV1.0
TYCO_CALPELLA_AUBURNDALE




VSS

REV1.0
TYCO_CALPELLA_AUBURNDALE

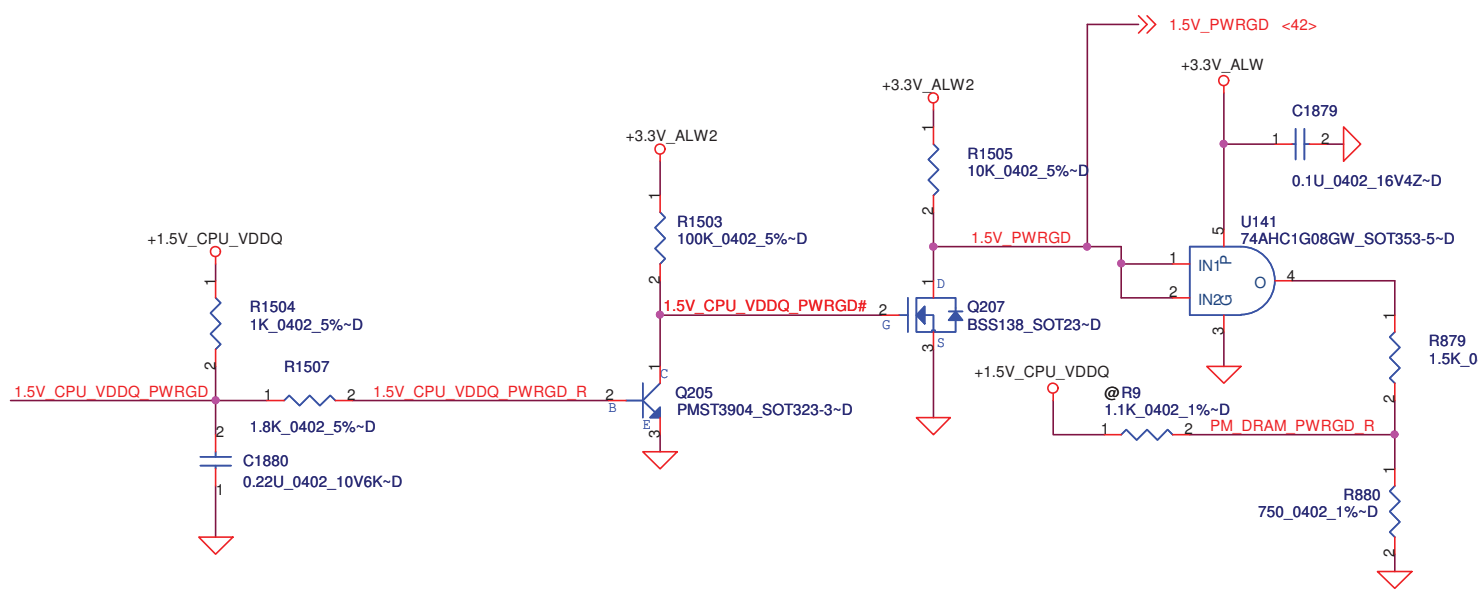
NCTIF



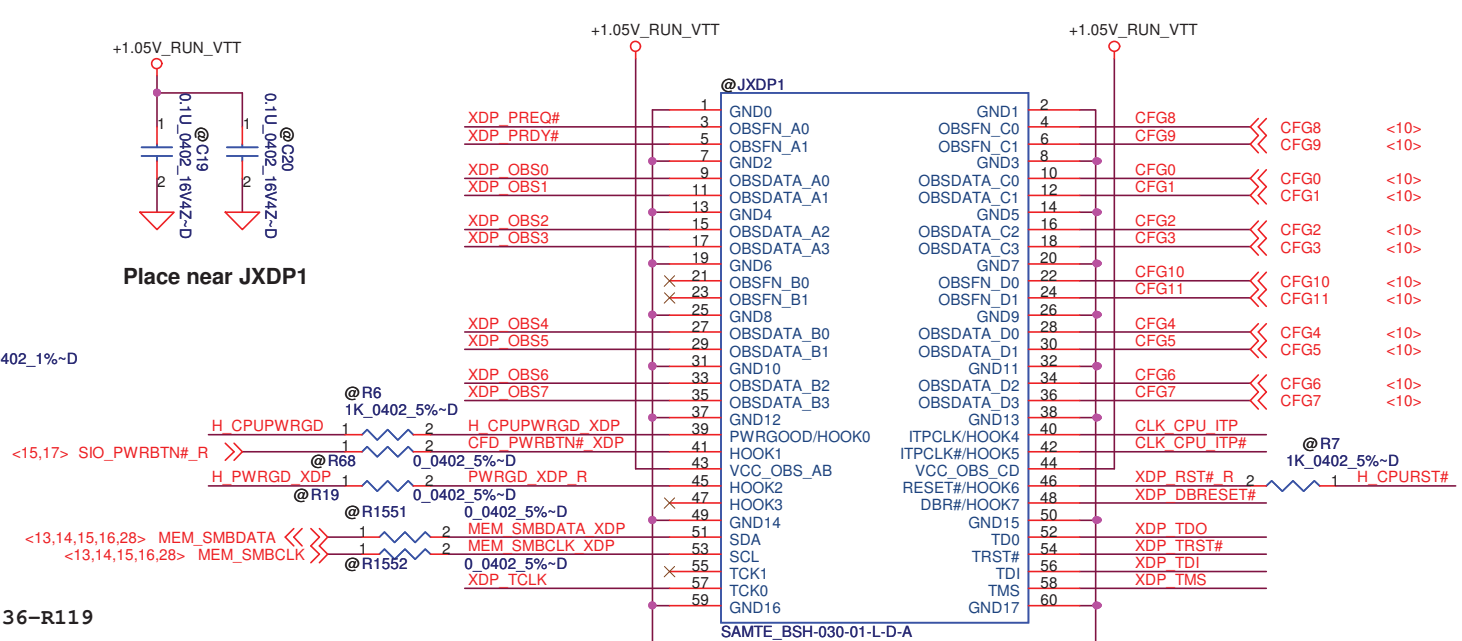
DELL CONFIDENTIAL/PROPRIETARY

		Compal Electronics, Inc.	
		Arrandale (1/6)	
Size	Document Number	Rev 1.0	
	LA-5471P		
Date:	Wednesday, January 20, 2010	Sheet	7 of 57

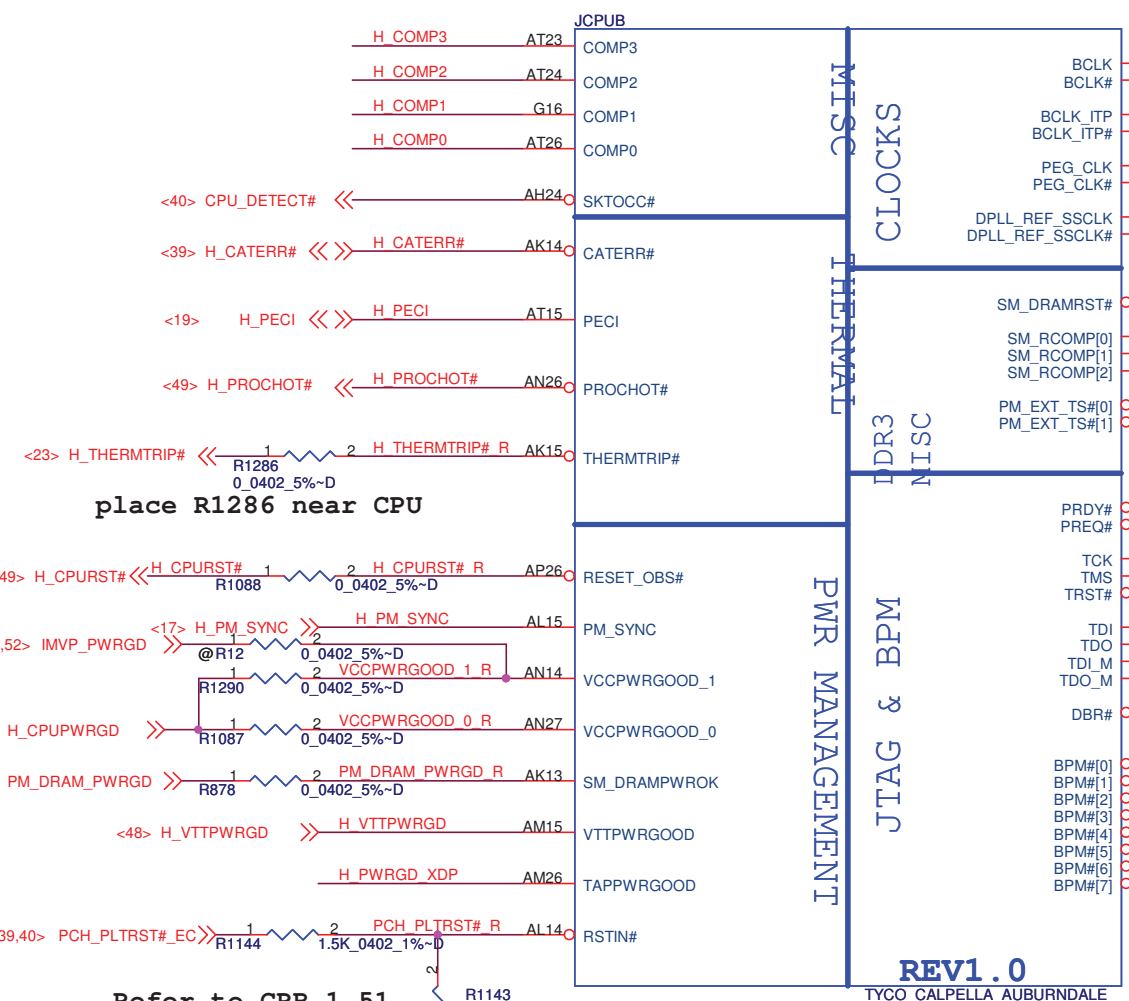
PROPRIETARY NOTE: THIS SHEET OF ENGINEERING DRAWING AND SPECIFICATIONS CONTAINS CONFIDENTIAL TRADE SECRET AND OTHER PROPRIETARY INFORMATION OF DELL INC. ("DELL") THIS DOCUMENT MAY NOT BE TRANSFERRED OR COPIED WITHOUT THE EXPRESS WRITTEN AUTHORIZATION OF DELL. IN ADDITION, NEITHER THIS SHEET NOR THE INFORMATION IT CONTAINS MAY BE USED BY OR DISCLOSED TO ANY THIRD PARTY WITHOUT DELL'S EXPRESS WRITTEN CONSENT.



Place near JXDP1



Keep R1132, R1133, R1136-R119 for slew rate control.

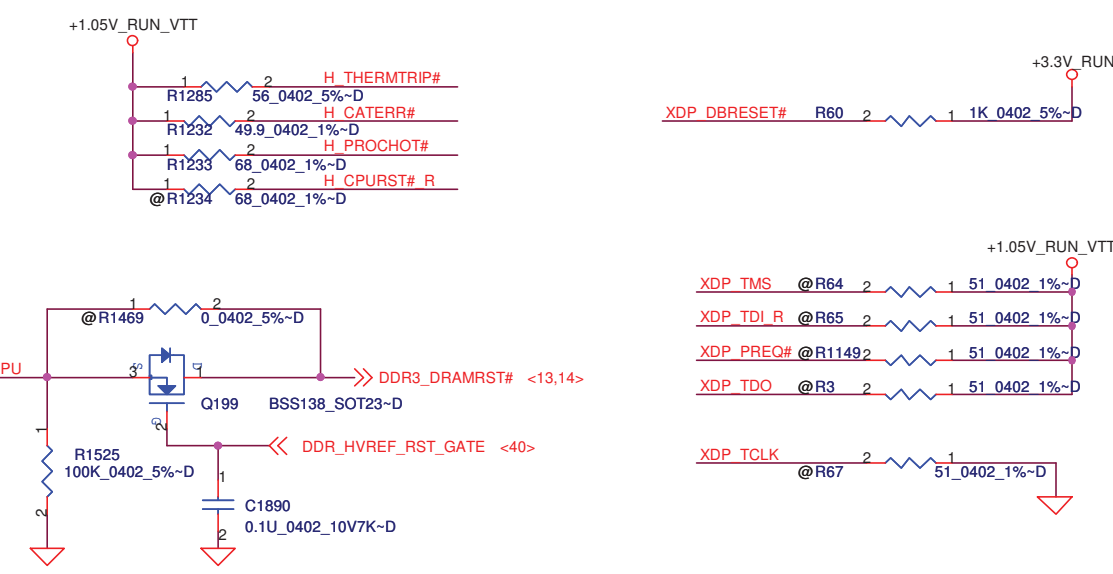


place R1286 near CPU

Refer to CRB 1.51

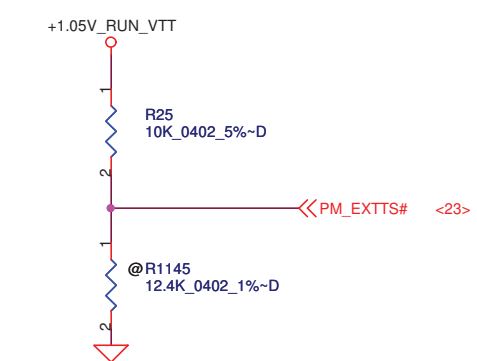
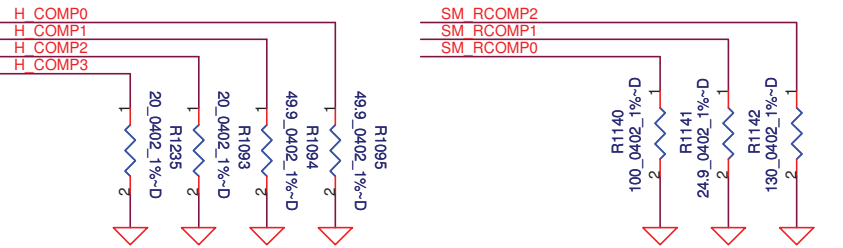


For ESD concern, please put near CPU



JTAG MAPPING

Scan Chain	Stuff ->
Scan Chain (Default)	Stuff -> R1153,R1156,R1157
	No stuff -> R1154,R1155
CPU Only	Stuff -> R1153,R1154
	No stuff -> R1154,R1155,R1157
PCH Only	Stuff -> R1155,R1156
	No stuff -> R1153,R1154,R1157



DELL CONFIDENTIAL/PROPRIETARY

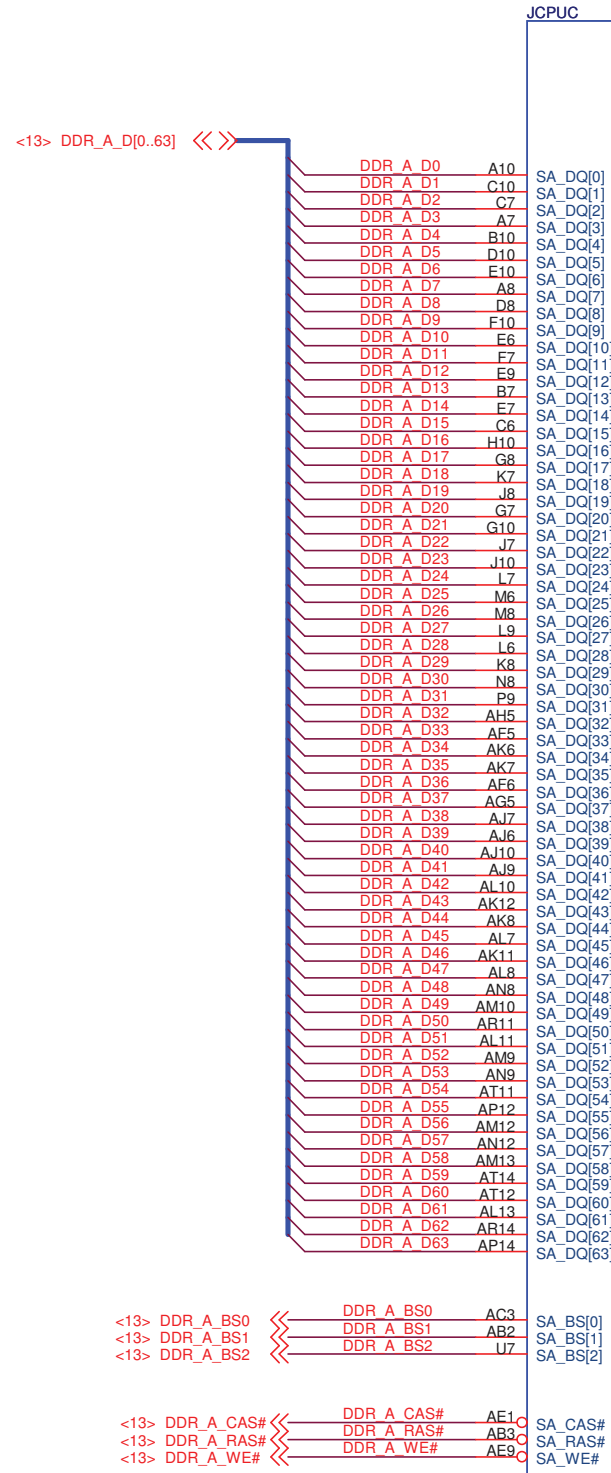
Compal Electronics, Inc.

Title: Arrandale (2/6)

Size: Document Number LA-5471P

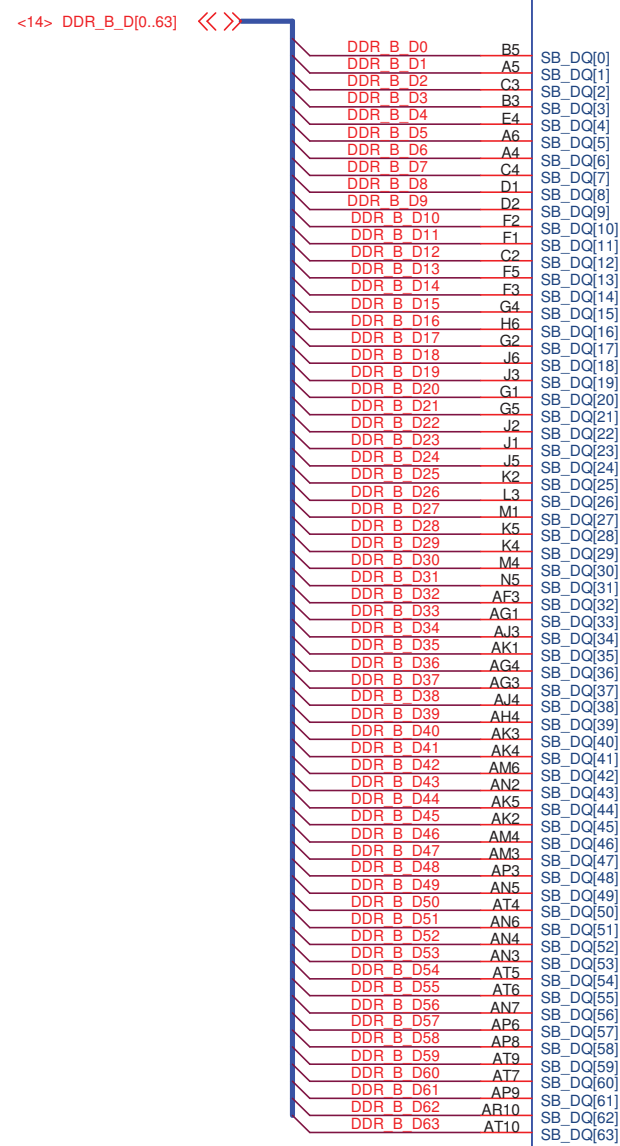
Date: Wednesday, January 20, 2010 Sheet 8 of 57

PROPRIETARY NOTE: THIS SHEET OF ENGINEERING DRAWING AND SPECIFICATIONS CONTAINS CONFIDENTIAL TRADE SECRET AND OTHER PROPRIETARY INFORMATION OF DELL INC. ("DELL") THIS DOCUMENT MAY NOT BE TRANSFERRED OR COPIED WITHOUT THE EXPRESS WRITTEN AUTHORIZATION OF DELL. IN ADDITION, NEITHER THIS SHEET NOR THE INFORMATION IT CONTAINS MAY BE USED BY OR DISCLOSED TO ANY THIRD PARTY WITHOUT DELL'S EXPRESS WRITTEN CONSENT.



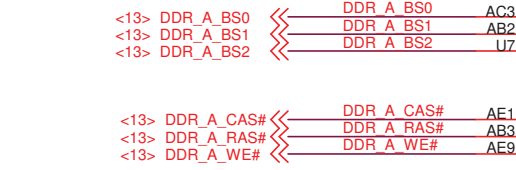
DDR SYSTEM MEMORY - A

REV1.0
TYCO_CALPELLA_AUBURNDALE



DDR SYSTEM MEMORY - B

REV1.0
TYCO_CALPELLA_AUBURNDALE



DELL CONFIDENTIAL/PROPRIETARY

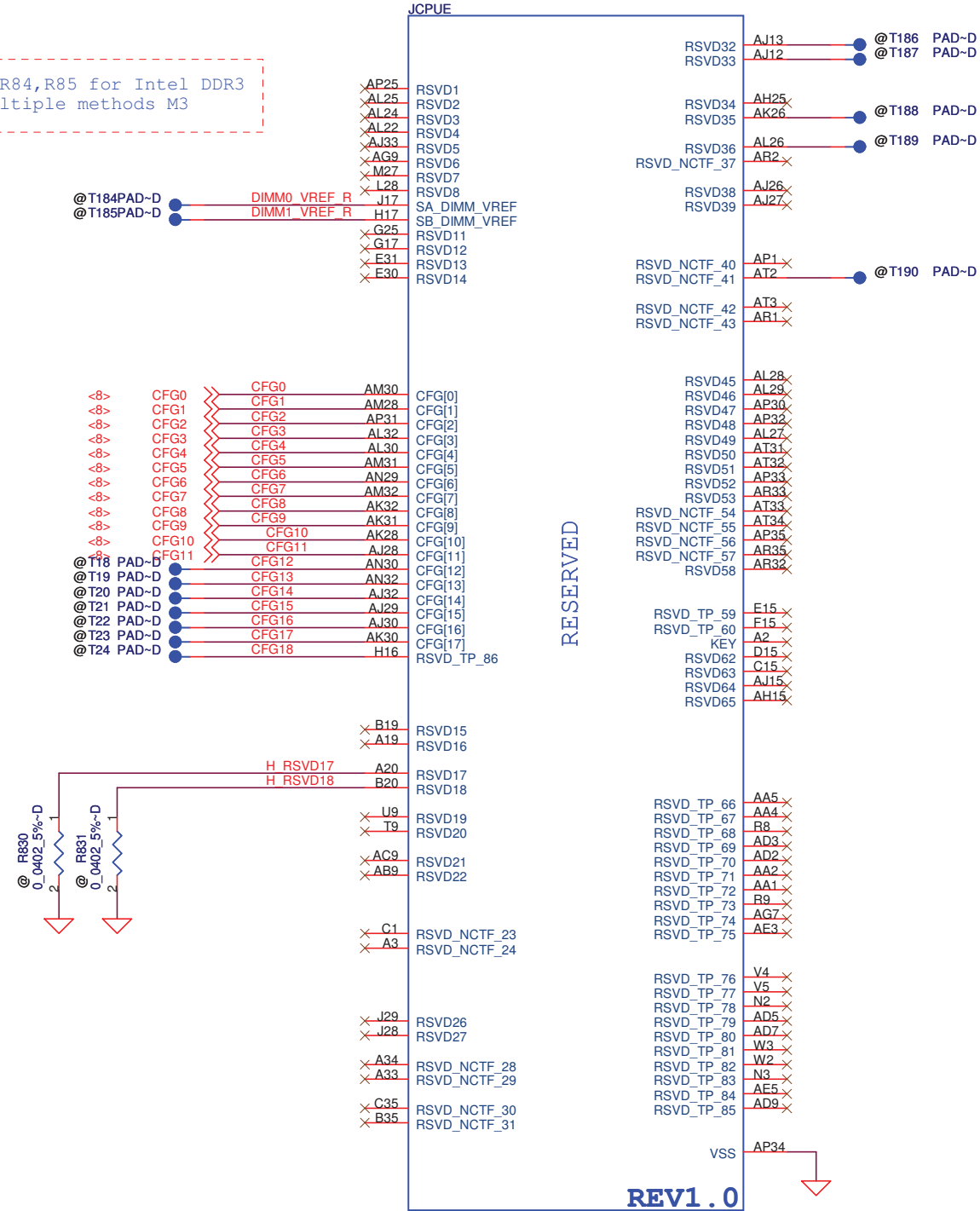
Compal Electronics, Inc.



Title			Arrandale (3/6)
Size	Document Number	Rev	
	LA-5471P	1.0	
Date:	Wednesday, January 20, 2010	Sheet	9 of 57

PROPRIETARY NOTE: THIS SHEET OF ENGINEERING DRAWING AND SPECIFICATIONS CONTAINS CONFIDENTIAL TRADE SECRET AND OTHER PROPRIETARY INFORMATION OF DELL INC. ("DELL") THIS DOCUMENT MAY NOT BE TRANSFERRED OR COPIED WITHOUT THE EXPRESS WRITTEN AUTHORIZATION OF DELL. IN ADDITION, NEITHER THIS SHEET NOR THE INFORMATION IT CONTAINS MAY BE USED BY OR DISCLOSED TO ANY THIRD PARTY WITHOUT DELL'S EXPRESS WRITTEN CONSENT.

Populate R84,R85 for Intel DDR3 VREFDQ multiple methods M3



RESERVED

REV1.0
TYCO_CALPELLA_AUBURNDALE

PCI-Express Configuration Select	
CFG0	1 : Single PEG 0 : Bifurcation enable

PCI-Express Static Lane Reversal	
CFG3	1 : Normal Operation 0 : Lane Number Reversed 15->0, 14->1 ...

Display Port Presence	
CFG4	1 : Disabled; No Physical Display Port attached to Embedded Display Port 0 : Enabled; An external Display Port device is connected to the Embedded Display Port

DELL CONFIDENTIAL/PROPRIETARY

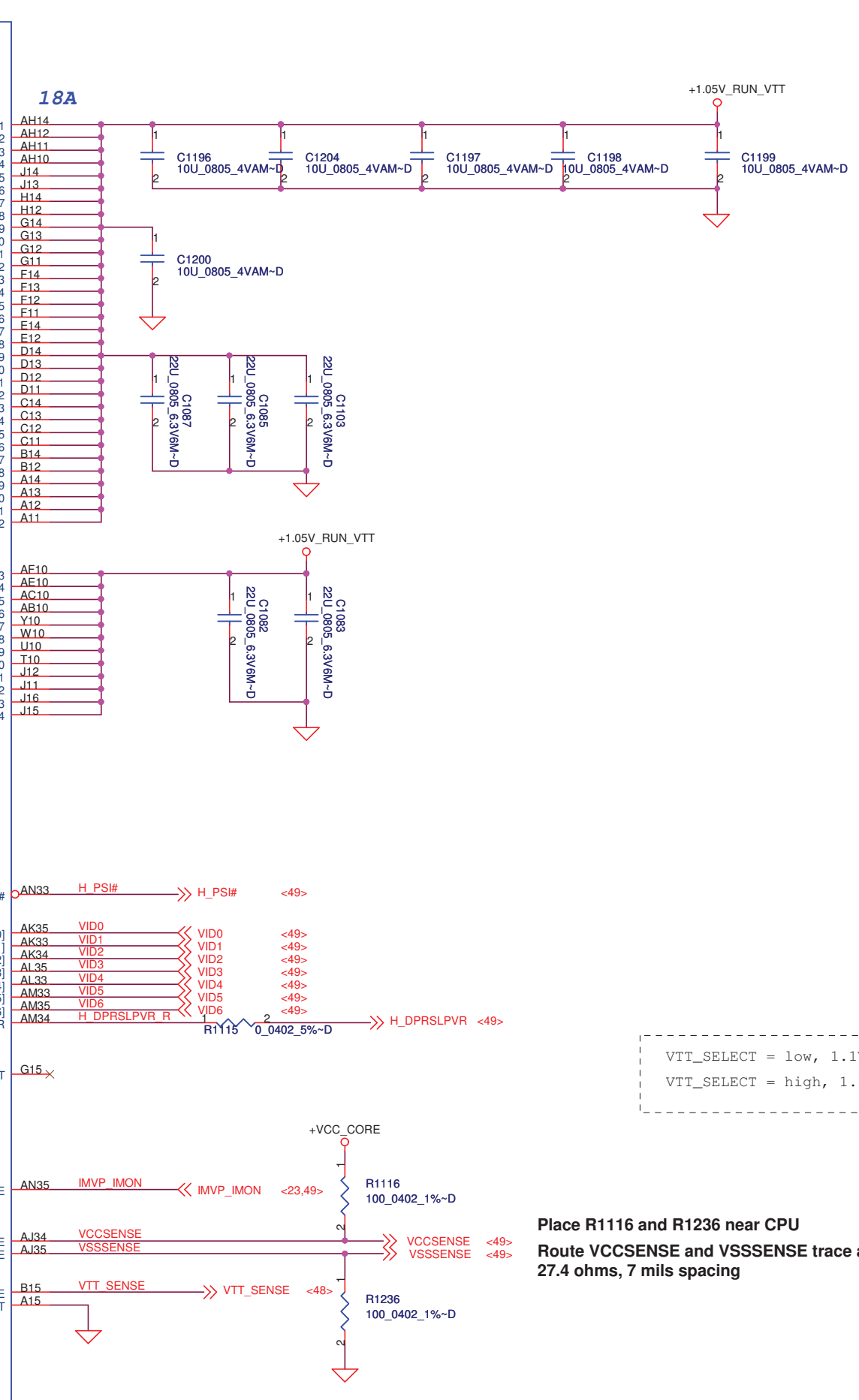
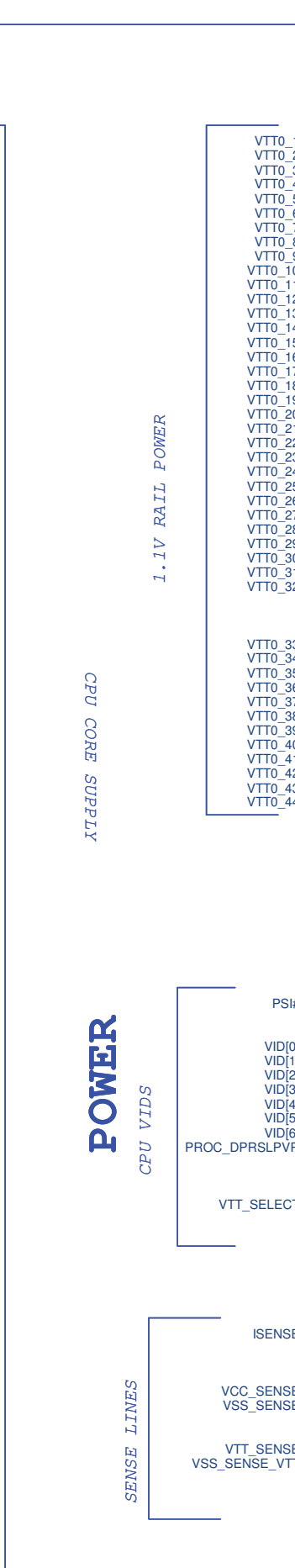
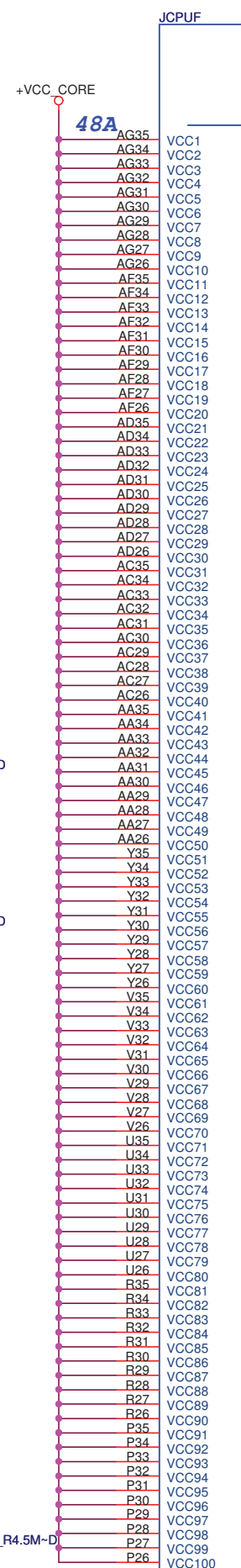
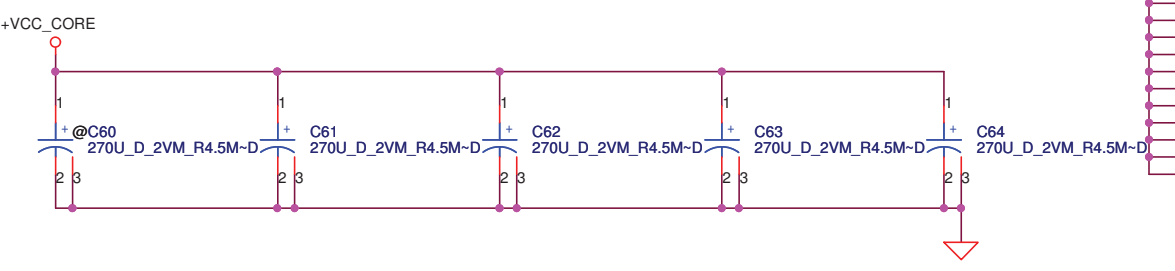
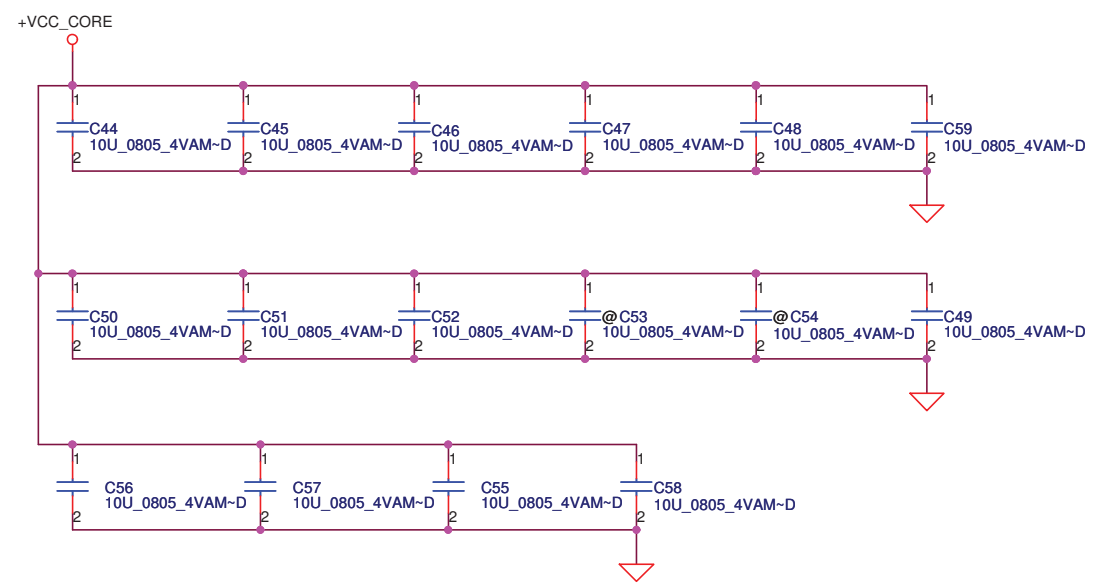
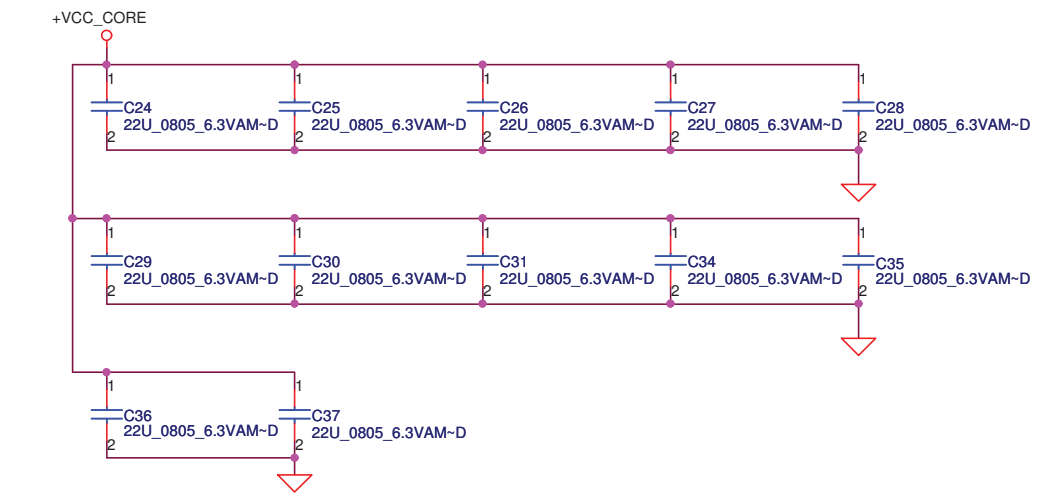
Compal Electronics, Inc.

Arrandale (4/6)



PROPRIETARY NOTE: THIS SHEET OF ENGINEERING DRAWING AND SPECIFICATIONS CONTAINS CONFIDENTIAL TRADE SECRET AND OTHER PROPRIETARY INFORMATION OF DELL INC. ("DELL") THIS DOCUMENT MAY NOT BE TRANSFERRED OR COPIED WITHOUT THE EXPRESS WRITTEN AUTHORIZATION OF DELL. IN ADDITION, NEITHER THIS SHEET NOR THE INFORMATION IT CONTAINS MAY BE USED BY OR DISCLOSED TO ANY THIRD PARTY WITHOUT DELL'S EXPRESS WRITTEN CONSENT.

Title	Arrandale (4/6)		Rev	1.0
Size	Document Number	LA-5471P		
Date:	Wednesday, January 20, 2010	Sheet	10	of 57



POWER

CPU VIDS

SENSE LINES

VTT_SELECT = low, 1.1V
VTT_SELECT = high, 1.05V

Place R1116 and R1236 near CPU
Route VCCSENSE and VSSSENSE trace at 27.4 ohms, 7 mils spacing

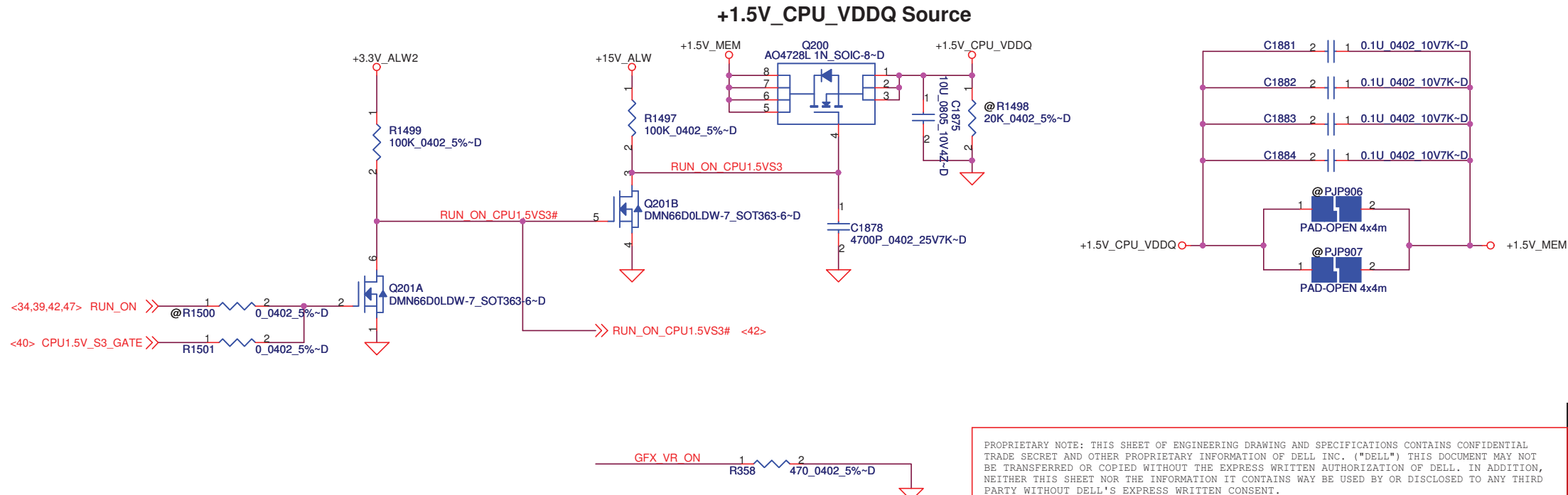
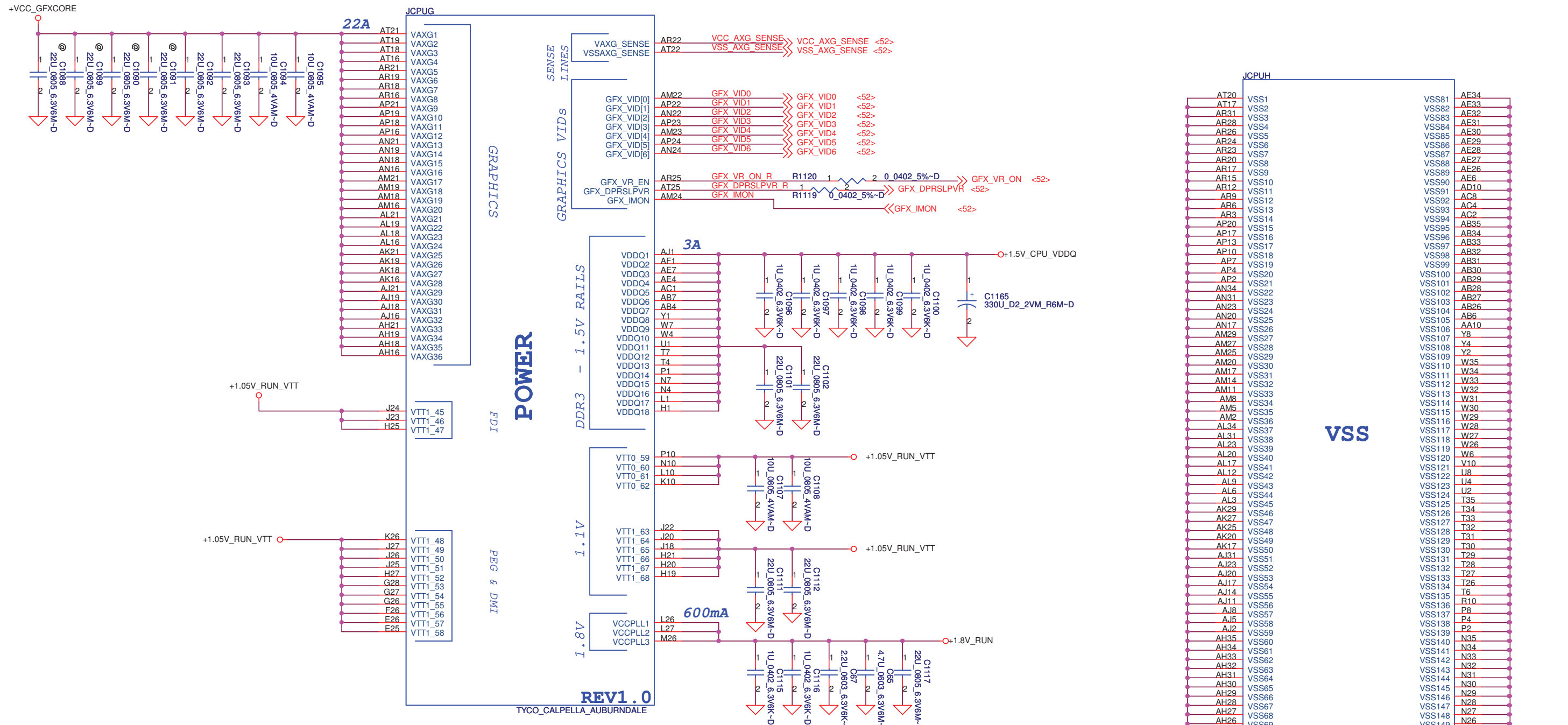
REV1.0
TYCO_CALPELLA_AUBURNDALE

DELL CONFIDENTIAL/PROPRIETARY

PROPRIETARY NOTE: THIS SHEET OF ENGINEERING DRAWING AND SPECIFICATIONS CONTAINS CONFIDENTIAL TRADE SECRET AND OTHER PROPRIETARY INFORMATION OF DELL INC. ("DELL") THIS DOCUMENT MAY NOT BE TRANSFERRED OR COPIED WITHOUT THE EXPRESS WRITTEN AUTHORIZATION OF DELL. IN ADDITION, NEITHER THIS SHEET NOR THE INFORMATION IT CONTAINS MAY BE USED BY OR DISCLOSED TO ANY THIRD PARTY WITHOUT DELL'S EXPRESS WRITTEN CONSENT.



Compal Electronics, Inc.		
Title Arrandale (5/6)		
Size	Document Number LA-5471P	Rev 1.0
Date: Wednesday, January 20, 2010	Sheet 11	of 57



PROPRIETARY NOTE: THIS SHEET OF ENGINEERING DRAWING AND SPECIFICATIONS CONTAINS CONFIDENTIAL TRADE SECRET AND OTHER PROPRIETARY INFORMATION OF DELL INC. ("DELL") THIS DOCUMENT MAY NOT BE TRANSFERRED OR COPIED WITHOUT THE EXPRESS WRITTEN AUTHORIZATION OF DELL. IN ADDITION, NEITHER THIS SHEET NOR THE INFORMATION IT CONTAINS MAY BE USED BY OR DISCLOSED TO ANY THIRD PARTY WITHOUT DELL'S EXPRESS WRITTEN CONSENT.



DELL CONFIDENTIAL/PROPRIETARY

Compal Electronics, Inc.

Arrarndale (6/6)

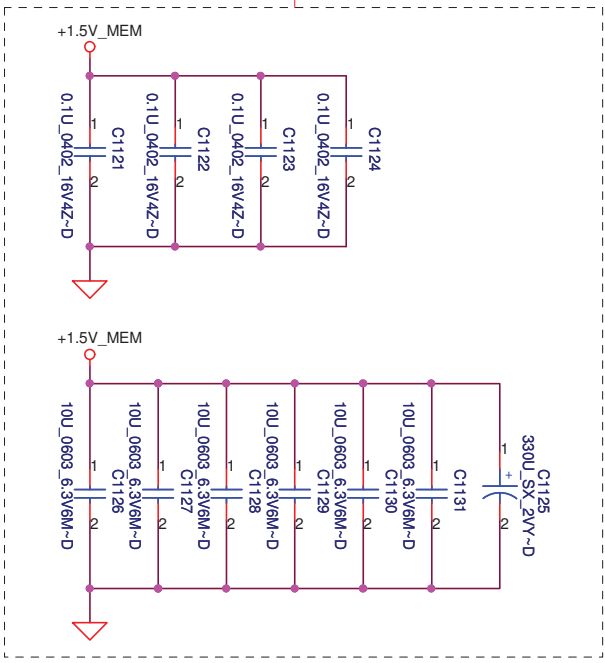
Title	Arrarndale (6/6)		Rev	1.0
Size	Document Number	LA-5471P		
Date	Wednesday, January 20, 2010	Sheet	12	of 57

<9> DDR_A_DQS#0[0..7] <<>>
 <9> DDR_A_D[0..63] <<>>
 <9> DDR_A_DM[0..7] <<>>
 <9> DDR_A_DQS[0..7] <<>>
 <9> DDR_A_MA[0..15] <<>>

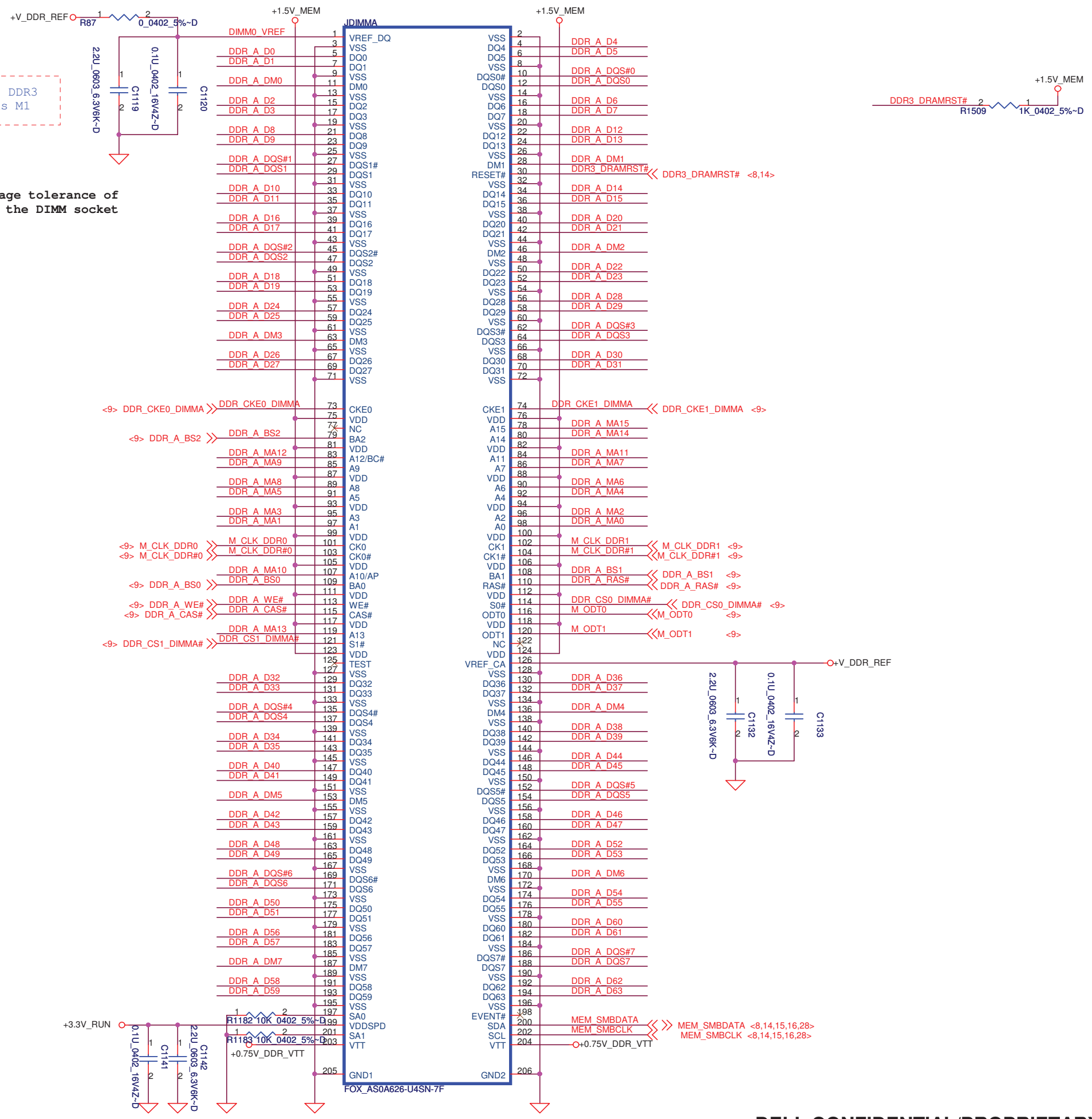
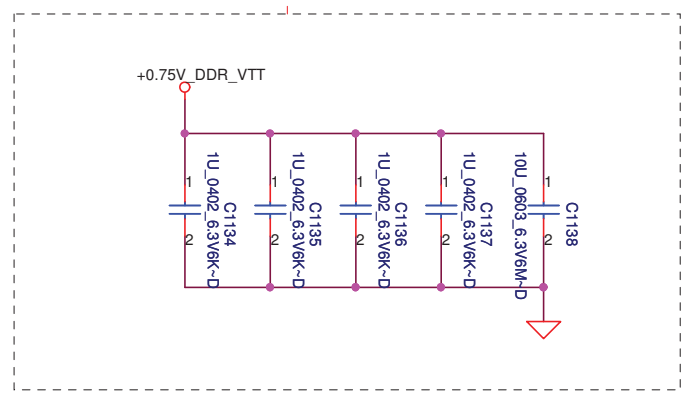
Populate R87 for Intel DDR3 VREFDQ multiple methods M1

Layout Note:
Place near JDIMMA

Note:
Check voltage tolerance of VREF_DQ at the DIMM socket



Layout Note:
Place near JDIMMA.203, 204



PROPRIETARY NOTE: THIS SHEET OF ENGINEERING DRAWING AND SPECIFICATIONS CONTAINS CONFIDENTIAL TRADE SECRET AND OTHER PROPRIETARY INFORMATION OF DELL INC. ("DELL") THIS DOCUMENT MAY NOT BE TRANSFERRED OR COPIED WITHOUT THE EXPRESS WRITTEN AUTHORIZATION OF DELL. IN ADDITION, NEITHER THIS SHEET NOR THE INFORMATION IT CONTAINS MAY BE USED BY OR DISCLOSED TO ANY THIRD PARTY WITHOUT DELL'S EXPRESS WRITTEN CONSENT.



DELL CONFIDENTIAL/PROPRIETARY

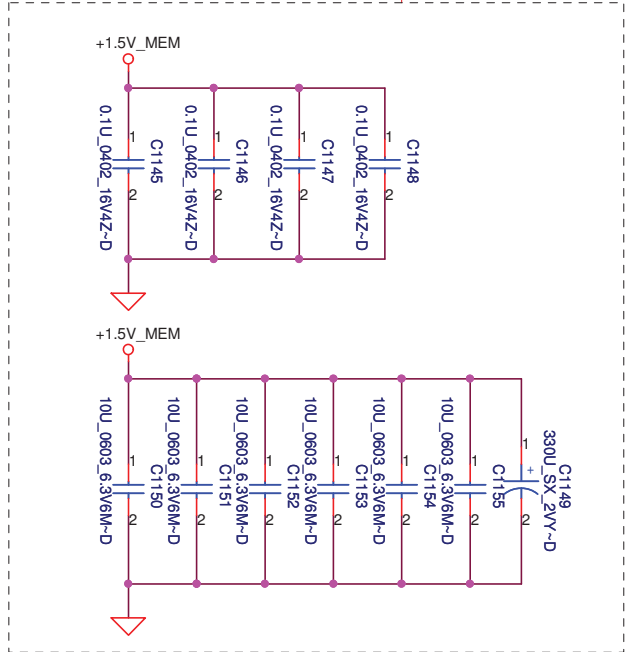
Compal Electronics, Inc.		
Title	DDRIII-SODIMM SLOT1	
Size	Document Number	Rev
	LA-5471P	1.0
Date:	Wednesday, January 20, 2010	Sheet 13 of 57

<9> DDR_B_DQS#[0..7] <<>>
 <9> DDR_B_D[0..63] <<>>
 <9> DDR_B_DM[0..7] <<>>
 <9> DDR_B_DQS[0..7] <<>>
 <9> DDR_B_MA[0..15] <<>>

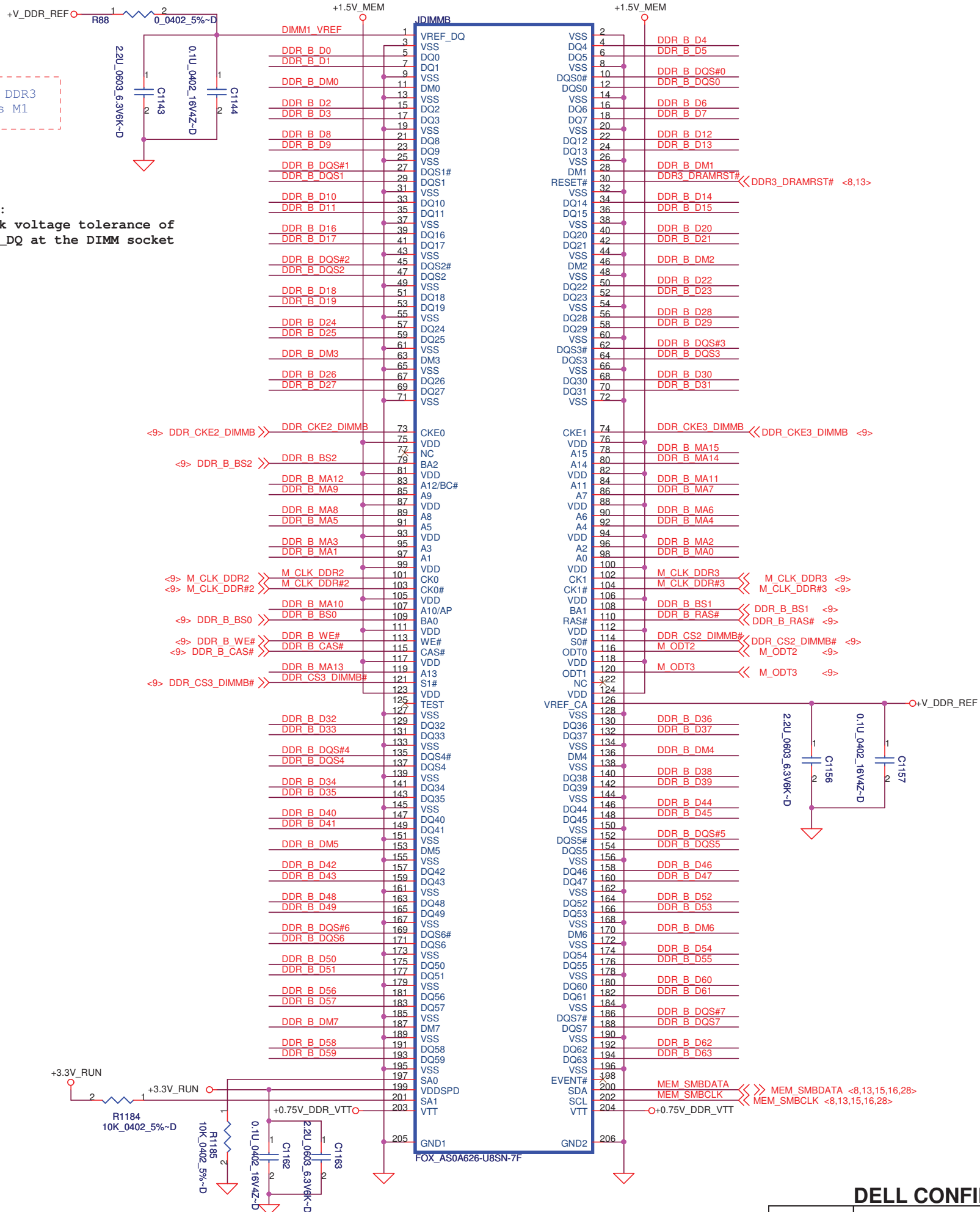
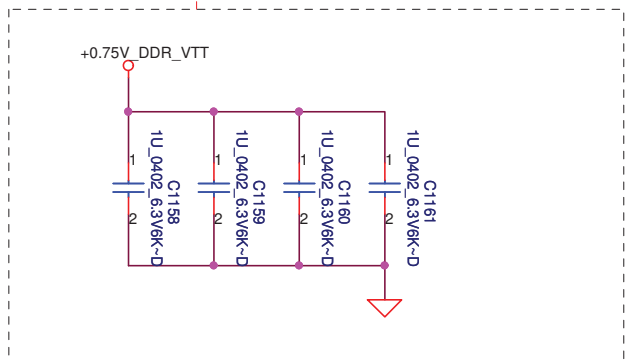
Populate R88 for Intel DDR3
 VREFDQ multiple methods M1

Note:
 Check voltage tolerance of
 VREF_DQ at the DIMM socket

Layout Note:
 Place near JDIMMB



Layout Note:
 Place near JDIMMB.203, 204



PROPRIETARY NOTE: THIS SHEET OF ENGINEERING DRAWING AND SPECIFICATIONS CONTAINS CONFIDENTIAL TRADE SECRET AND OTHER PROPRIETARY INFORMATION OF DELL INC. ("DELL") THIS DOCUMENT MAY NOT BE TRANSFERRED OR COPIED WITHOUT THE EXPRESS WRITTEN AUTHORIZATION OF DELL. IN ADDITION, NEITHER THIS SHEET NOR THE INFORMATION IT CONTAINS MAY BE USED BY OR DISCLOSED TO ANY THIRD PARTY WITHOUT DELL'S EXPRESS WRITTEN CONSENT.



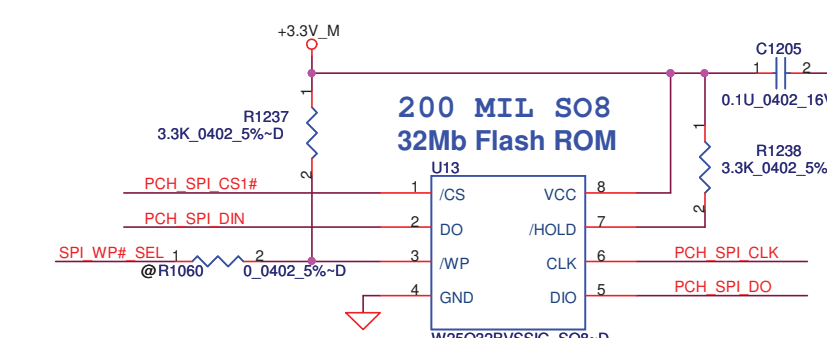
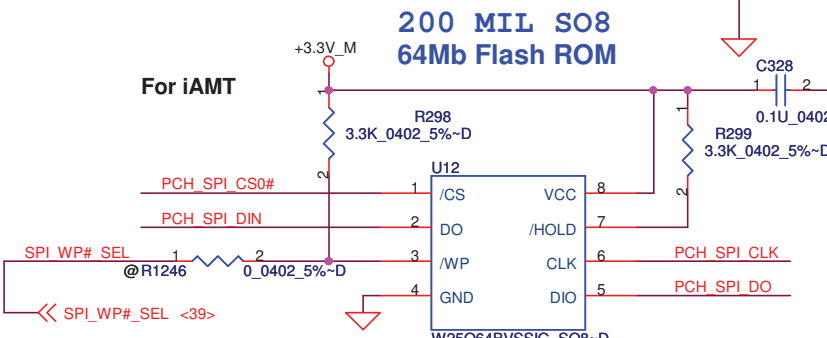
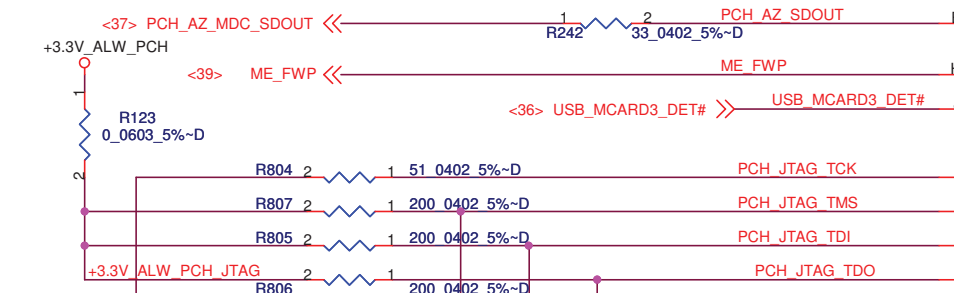
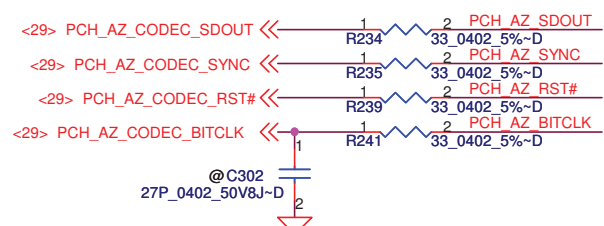
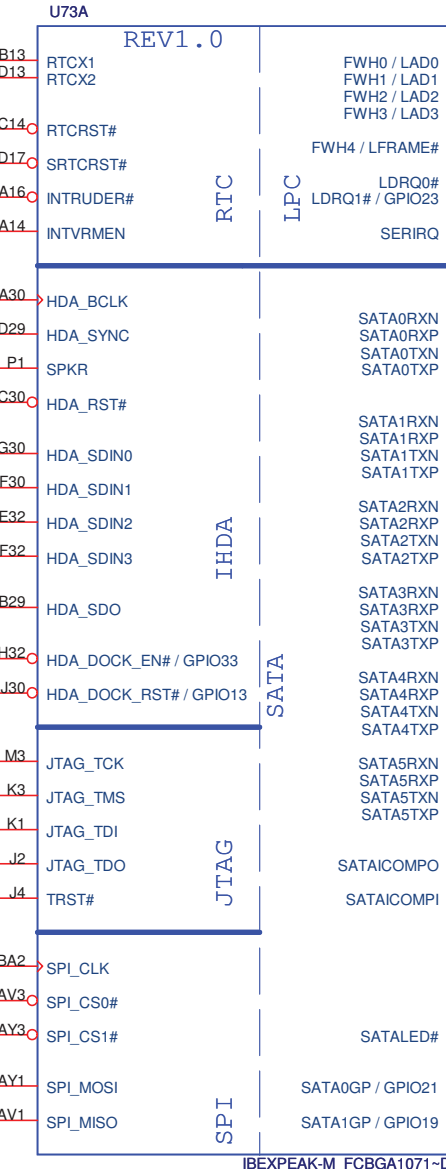
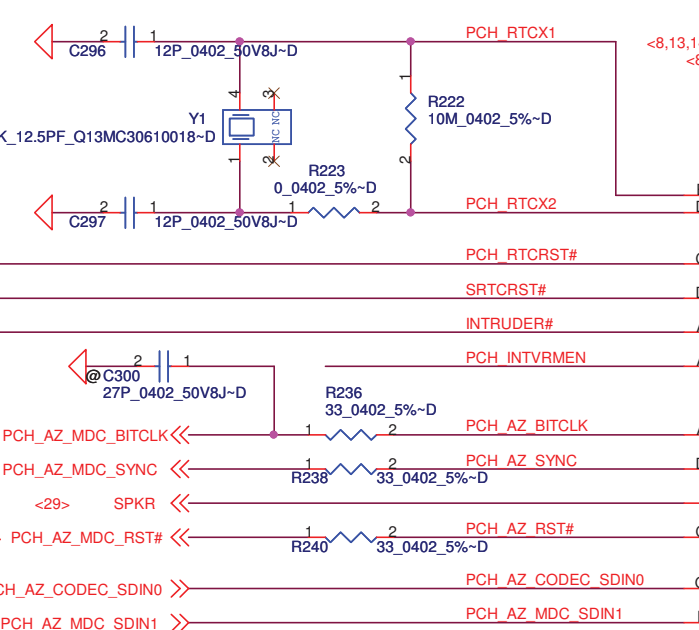
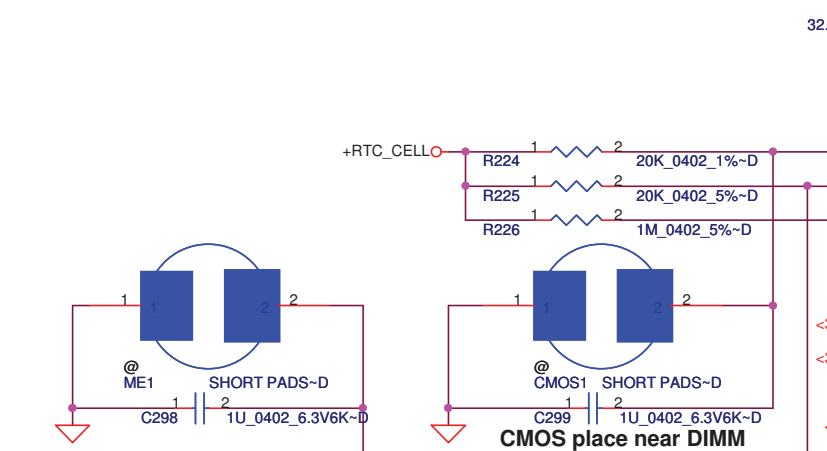
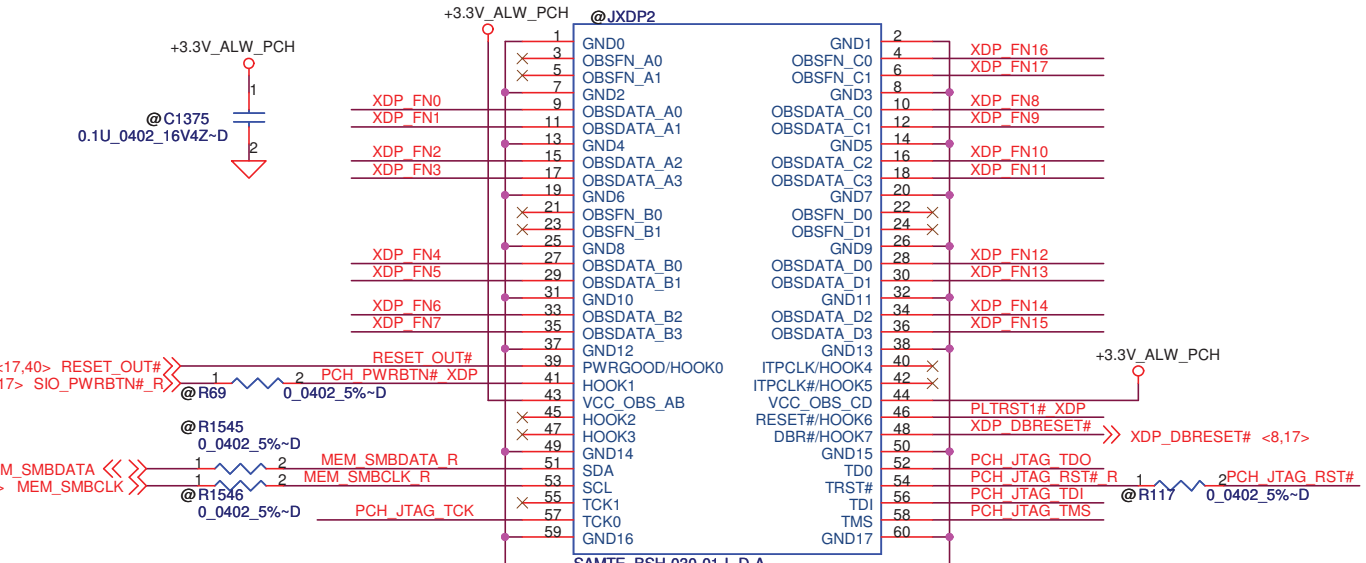
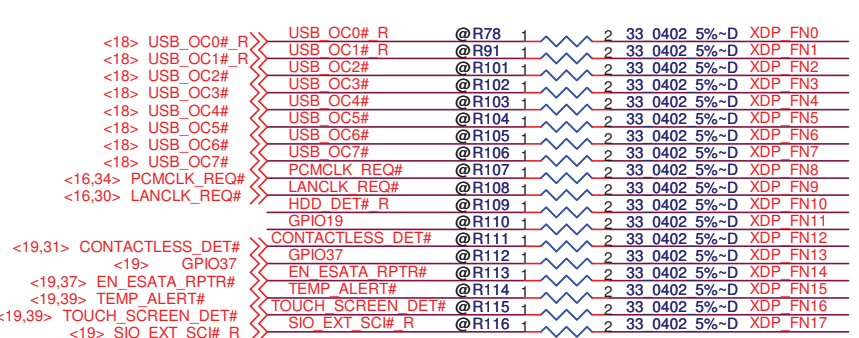
CMOS_CLR1	CMOS setting
Shunt	Clear CMOS
Open	Keep CMOS

ME_CLR1	TPM setting
Shunt	Clear ME RTC Registers
Open	Keep ME RTC Registers

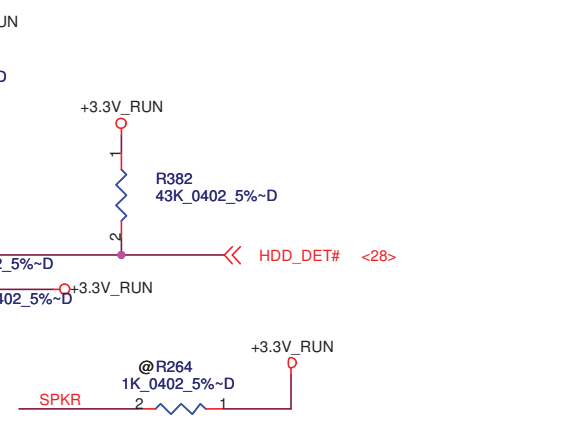
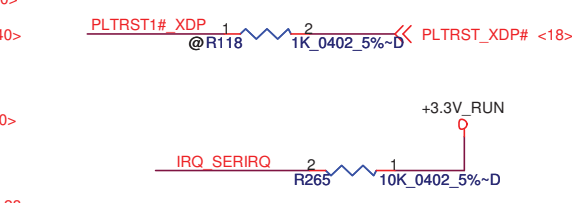


INTVRMEN- Integrated SUS
1.1V VRM Enable
High - Enable Internal VRs

On Die PLL VR is supplied by
1.5V when sampled high, 1.8 V
when sampled low



PCH Pin	Ref.	PCH JTAG Enable		PCH JTAG Disable		Production
		ES1	ES2	ES1	ES2	
TDO	R806	No Stuff	200 ohm	No Stuff	No Stuff	200 ohm
	R1315	No Stuff	100 ohm	No Stuff	No Stuff	100 ohm
TMS	R807	200 ohm	200 ohm	No Stuff	No Stuff	200 ohm
	R1281	100 ohm	100 ohm	No Stuff	No Stuff	100 ohm
TDI	R805	200 ohm	200 ohm	20K ohm	No Stuff	200 ohm
	R1282	100 ohm	100 ohm	10K ohm	No Stuff	100 ohm
TCK	R804	4.7K ohm	4.7K ohm	4.7K ohm	4.7K ohm	51 ohm
	R808	20K ohm	No Stuff	No Stuff	No Stuff	No Stuff
TRST#	R1316	10K ohm	No Stuff	No Stuff	No Stuff	No Stuff



No Reboot Strap
SPKR
Low = Default
High = No Reboot

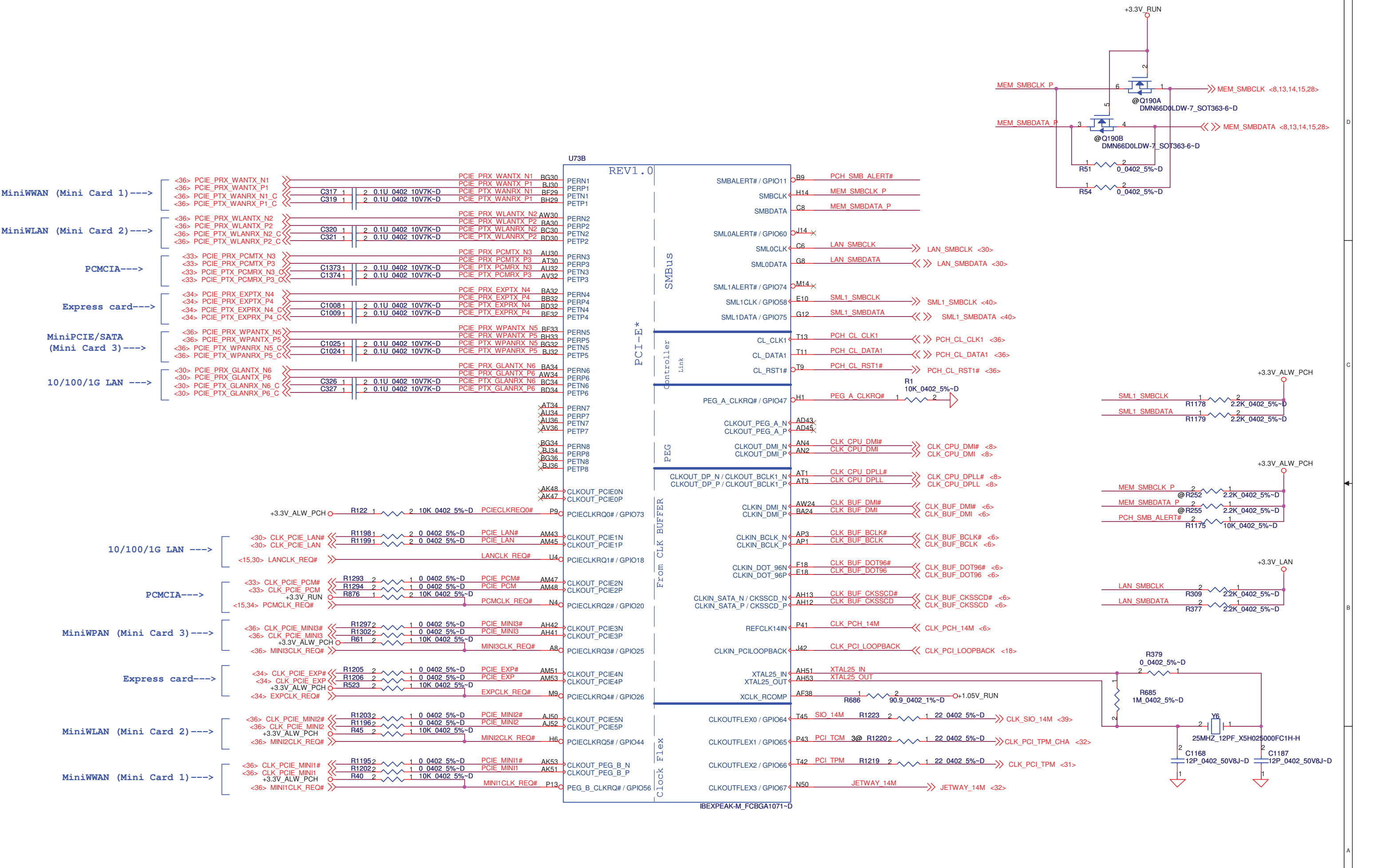
DELL CONFIDENTIAL/PROPRIETARY

Compal Electronics, Inc.

Title: **PCH (1/8)**

Size: **LA-5471P**

Date: Wednesday, January 20, 2010 Sheet 15 of 57



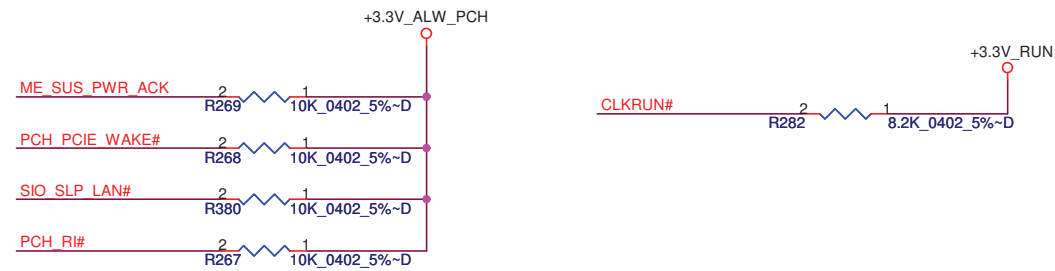
DELL CONFIDENTIAL/PROPRIETARY

Compal Electronics, Inc.



Title		PCH (2/8)	
Size	Document Number	LA-5471P	
Date:	Wednesday, January 20, 2010	Sheet	16 of 57
Rev	1.0		

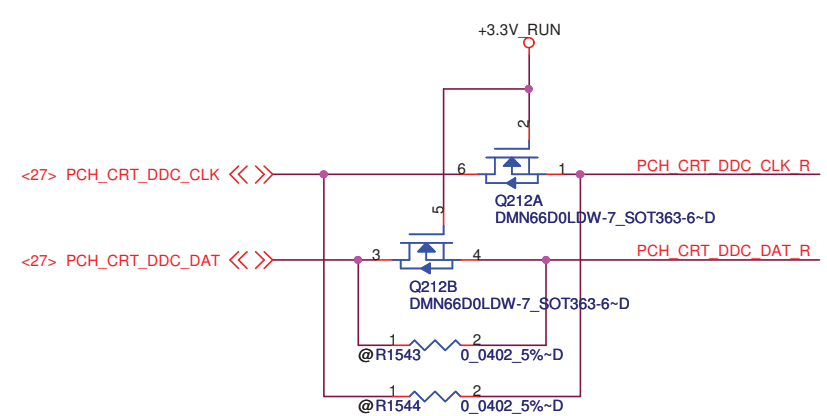
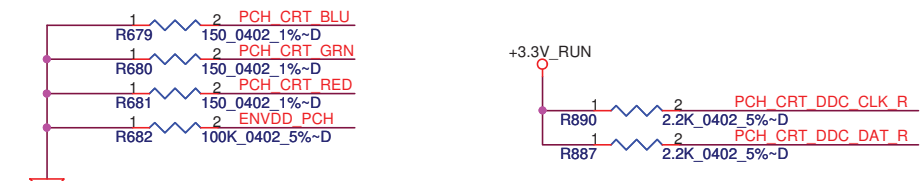
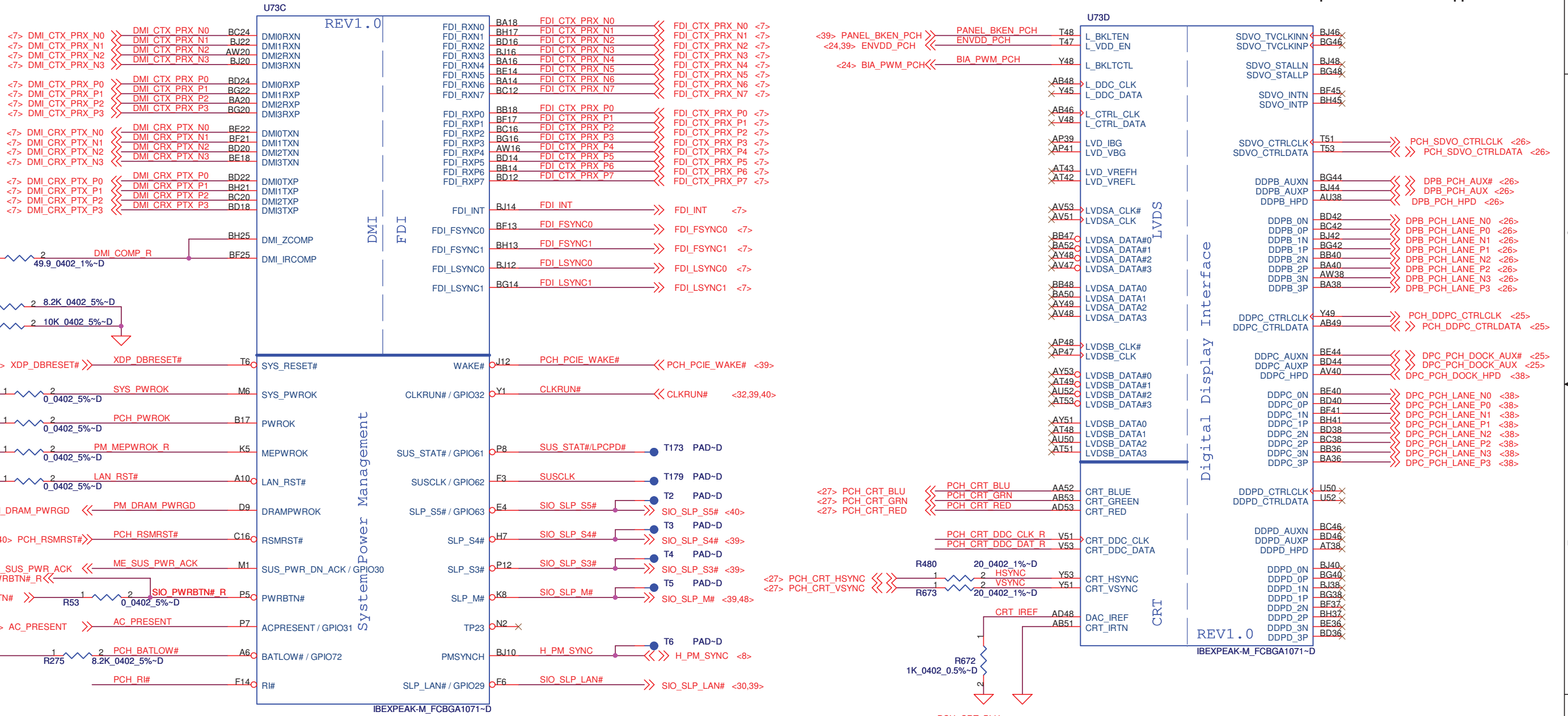
PROPRIETARY NOTE: THIS SHEET OF ENGINEERING DRAWING AND SPECIFICATIONS CONTAINS CONFIDENTIAL TRADE SECRET AND OTHER PROPRIETARY INFORMATION OF DELL INC. ("DELL") THIS DOCUMENT MAY NOT BE TRANSFERRED OR COPIED WITHOUT THE EXPRESS WRITTEN AUTHORIZATION OF DELL. IN ADDITION, NEITHER THIS SHEET NOR THE INFORMATION IT CONTAINS MAY BE USED BY OR DISCLOSED TO ANY THIRD PARTY WITHOUT DELL'S EXPRESS WRITTEN CONSENT.



Intel WW18 Strapping option

PORT	STRAP	ENABLE	DISABLE
LVDS	L_DDC_DATA	PU to 3.3V through 2.2Kohm	NC
PORT B	SDVO_CTRLDATA	PU to 3.3V through 2.2Kohm	NC
PORT B	DDPC_CTRLDATA	PU to 3.3V through 2.2Kohm	NC
PORT B	DDPD_CTRLDATA	PU to 3.3V through 2.2Kohm	NC
eDP on CPU	CFG[4] (at CPU)	PD to GND through 3.3Kohm	NC

Intel request DDPB can not support eDP



PROPRIETARY NOTE: THIS SHEET OF ENGINEERING DRAWING AND SPECIFICATIONS CONTAINS CONFIDENTIAL TRADE SECRET AND OTHER PROPRIETARY INFORMATION OF DELL INC. ("DELL") THIS DOCUMENT MAY NOT BE TRANSFERRED OR COPIED WITHOUT THE EXPRESS WRITTEN AUTHORIZATION OF DELL. IN ADDITION, NEITHER THIS SHEET NOR THE INFORMATION IT CONTAINS MAY BE USED BY OR DISCLOSED TO ANY THIRD PARTY WITHOUT DELL'S EXPRESS WRITTEN CONSENT.



DELL CONFIDENTIAL/PROPRIETARY

Compal Electronics, Inc.

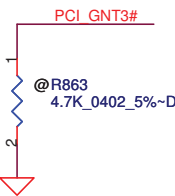
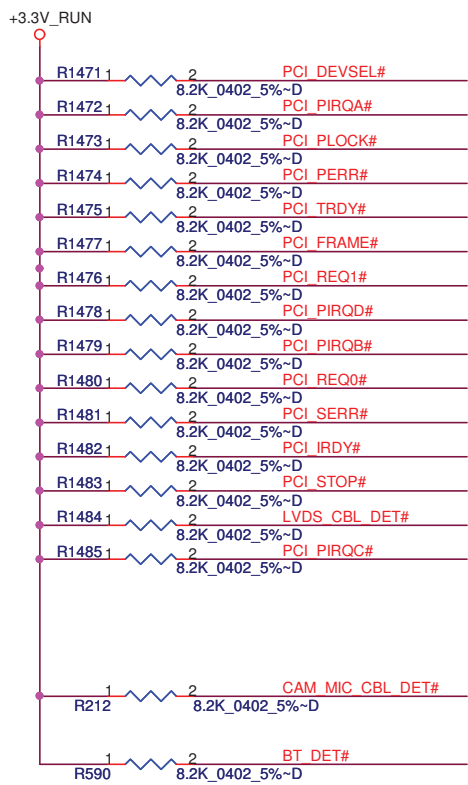
Title: **PCH (3/8)**

Size: **LA-5471P**

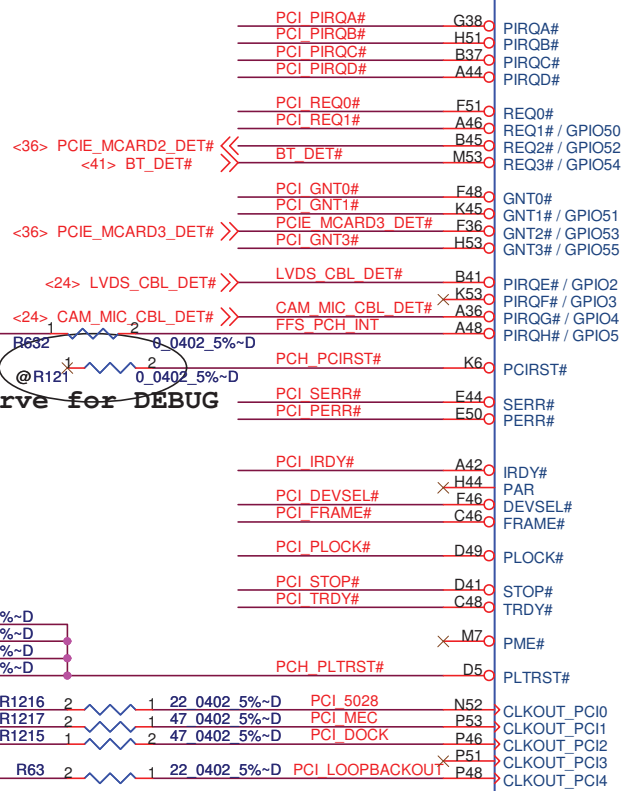
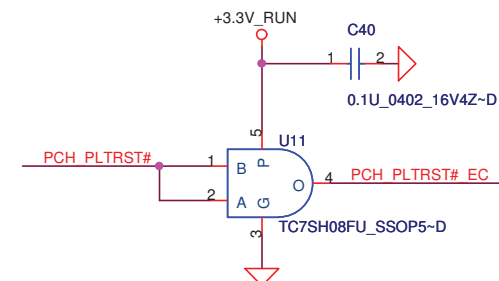
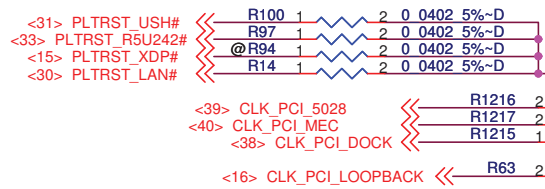
Document Number: **LA-5471P**

Rev: **1.0**

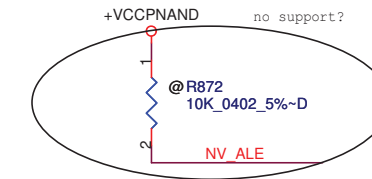
Date: **Wednesday, January 20, 2010** Sheet **17** of **57**



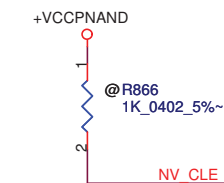
A16 swap override Strap/Top-Block Swap Override jumper	
PCI_GNT#3	Low = A16 swap High = Default



PCH XDP ENABLE	Stuff: R78,R89,R101~R116
	No Stuff: R71,R77,RP1,RP2,R45,R40,R131,R58,R1242,R1243,R1244,R1245,R74,R130
PCH XDP DISABLE	Stuff: R71,R77,RP1,RP2,R45,R40,R131,R58,R1242,R1243,R1244,R1245,R74,R130
	No Stuff: R78,R89,R101~R116

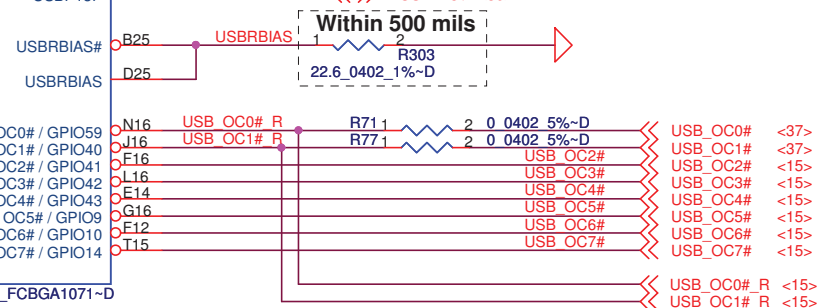
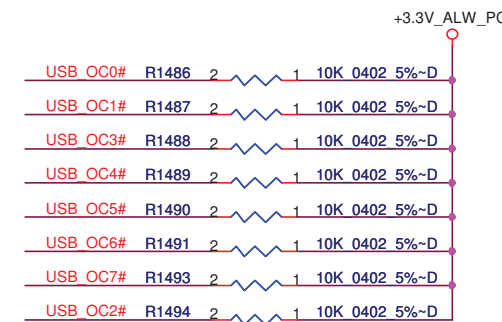


Danbury Technology Enabled	
NV_ALE	High = Enabled (Default) Low = Disabled



DMI Termination Voltage	
NV_CLE	Set to Vss when LOW Set to Vcc when HIGH

- >Right Side Top
- >USH_BIO
- >Left Side Top
- >Left Side Bottom
- >WLAN
- >WWAN
- >Blue Tooth
- >Express Card
- >DOCK
- >DOCK
- >Right Side Bottom
- >Camera
- >WPAN



Boot BIOS Strap		
PCI_GNT#1	PCI_GNT#0	Boot BIOS Location
0	0	LPC
0	1	Reserved (NAND)
1	0	PCI
1	1	SPI

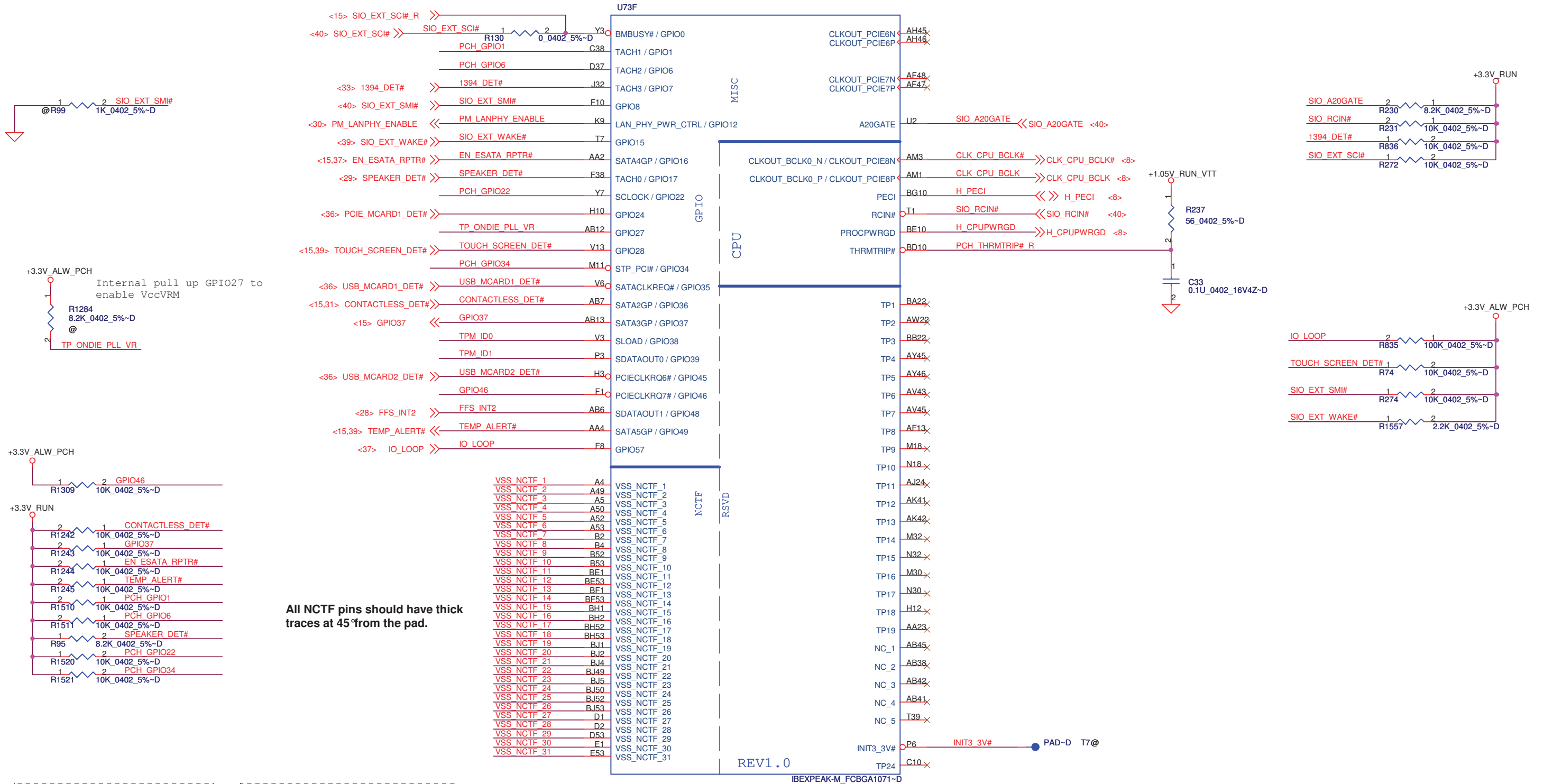
PROPRIETARY NOTE: THIS SHEET OF ENGINEERING DRAWING AND SPECIFICATIONS CONTAINS CONFIDENTIAL TRADE SECRET AND OTHER PROPRIETARY INFORMATION OF DELL INC. ("DELL") THIS DOCUMENT MAY NOT BE TRANSFERRED OR COPIED WITHOUT THE EXPRESS WRITTEN AUTHORIZATION OF DELL. IN ADDITION, NEITHER THIS SHEET NOR THE INFORMATION IT CONTAINS MAY BE USED BY OR DISCLOSED TO ANY THIRD PARTY WITHOUT DELL'S EXPRESS WRITTEN CONSENT.



DELL CONFIDENTIAL/PROPRIETARY

Compal Electronics, Inc.

Title PCH (4/8)		
Size	Document Number LA-5471P	Rev 1.0
Date: Wednesday, January 20, 2010	Sheet 18 of 57	

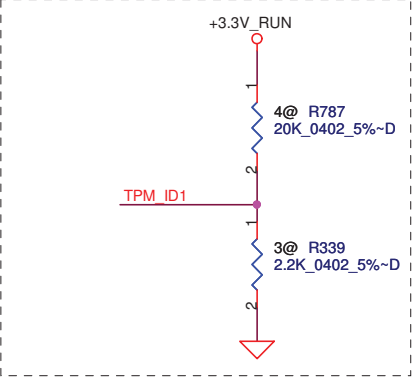
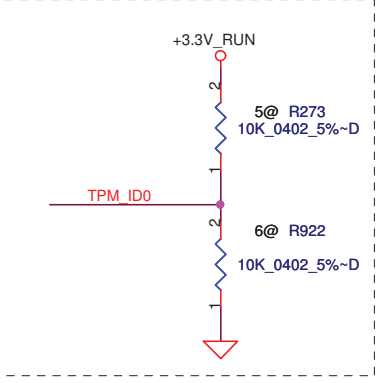


All NCTF pins should have thick traces at 45° from the pad.

VSS_NCTF_1	A4	VSS_NCTF_1	A4
VSS_NCTF_2	A49	VSS_NCTF_2	A49
VSS_NCTF_3	A5	VSS_NCTF_3	A5
VSS_NCTF_4	A50	VSS_NCTF_4	A50
VSS_NCTF_5	A52	VSS_NCTF_5	A52
VSS_NCTF_6	A53	VSS_NCTF_6	A53
VSS_NCTF_7	B2	VSS_NCTF_7	B2
VSS_NCTF_8	B4	VSS_NCTF_8	B4
VSS_NCTF_9	B52	VSS_NCTF_9	B52
VSS_NCTF_10	B53	VSS_NCTF_10	B53
VSS_NCTF_11	BE1	VSS_NCTF_11	BE1
VSS_NCTF_12	BE53	VSS_NCTF_12	BE53
VSS_NCTF_13	BF1	VSS_NCTF_13	BF1
VSS_NCTF_14	BF53	VSS_NCTF_14	BF53
VSS_NCTF_15	BH1	VSS_NCTF_15	BH1
VSS_NCTF_16	BH2	VSS_NCTF_16	BH2
VSS_NCTF_17	BH52	VSS_NCTF_17	BH52
VSS_NCTF_18	BH53	VSS_NCTF_18	BH53
VSS_NCTF_19	B11	VSS_NCTF_19	B11
VSS_NCTF_20	B12	VSS_NCTF_20	B12
VSS_NCTF_21	B14	VSS_NCTF_21	B14
VSS_NCTF_22	BJ49	VSS_NCTF_22	BJ49
VSS_NCTF_23	BJ5	VSS_NCTF_23	BJ5
VSS_NCTF_24	BJ50	VSS_NCTF_24	BJ50
VSS_NCTF_25	BJ52	VSS_NCTF_25	BJ52
VSS_NCTF_26	BJ53	VSS_NCTF_26	BJ53
VSS_NCTF_27	D1	VSS_NCTF_27	D1
VSS_NCTF_28	D2	VSS_NCTF_28	D2
VSS_NCTF_29	D53	VSS_NCTF_29	D53
VSS_NCTF_30	E1	VSS_NCTF_30	E1
VSS_NCTF_31	E53	VSS_NCTF_31	E53

REV1.0
IBEXPEAK-M_FCBGA1071-D

	TPM_ID0	TPM_ID1
China TPM	0	0
No TPM, No China TPM	0	1
Reserved	1	0
TPM	1	1



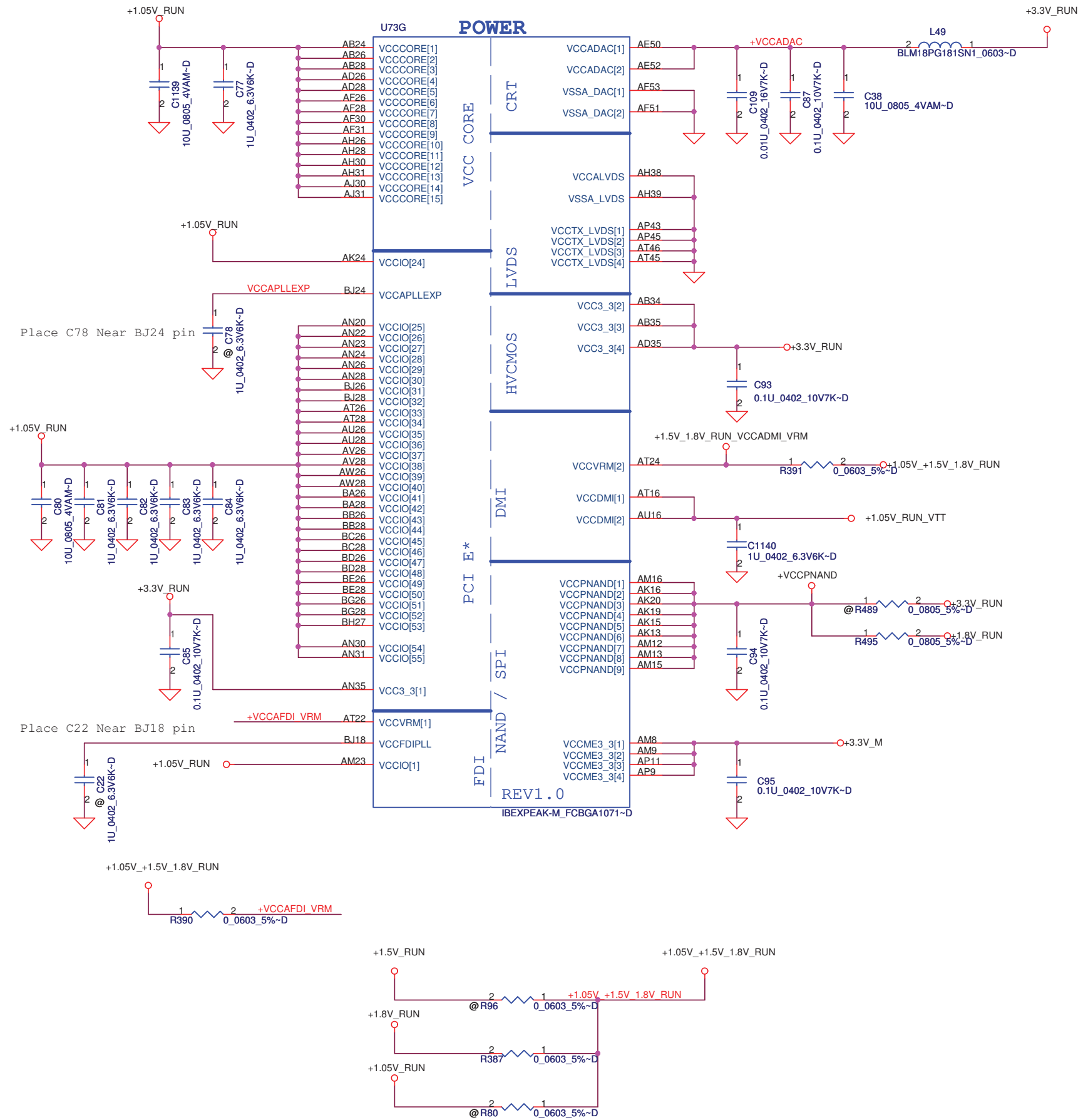
PROPRIETARY NOTE: THIS SHEET OF ENGINEERING DRAWING AND SPECIFICATIONS CONTAINS CONFIDENTIAL TRADE SECRET AND OTHER PROPRIETARY INFORMATION OF DELL INC. ("DELL") THIS DOCUMENT MAY NOT BE TRANSFERRED OR COPIED WITHOUT THE EXPRESS WRITTEN AUTHORIZATION OF DELL. IN ADDITION, NEITHER THIS SHEET NOR THE INFORMATION IT CONTAINS MAY BE USED BY OR DISCLOSED TO ANY THIRD PARTY WITHOUT DELL'S EXPRESS WRITTEN CONSENT.



DELL CONFIDENTIAL/PROPRIETARY

Compal Electronics, Inc.

Title	PCH (5/8)		
Size	Document Number	Rev	1.0
Date	Wednesday, January 20, 2010	Sheet	19 of 57



PCH Power Rail Table		
Voltage Rail	Voltage	S0 Iccmax Current (A)
V_CPU_IO	1.1/1.05	< 1 (mA)
V5REF	5	< 1 (mA)
V5REF_Sus	5	< 1 (mA)
Vcc3_3	3.3	0.357
VccAClk	1.1	0.052
VccADAC	3.3	0.069
VccADPLL	1.1	0.068
VccADPLLb	1.1	0.069
Vccap11EXP	1.1	0.04
VccCore	1.1	1.432
VccDMI	1.1	0.058
VccDMI	1.1	0.061
VccFDIPLL	1.1	0.037
VccIO	1.1	3.062
VccLAN	1.1	0.32
VccME	1.1	1.849
VccME3_3	3.3	0.085
VccpNAND	1.8	0.156
VccRTC	3.3	2 (mA)
VccSATAPLL	1.1	0.031
VccSus3_3	3.3	0.163
VccSusHDA	3.3	0.006
VccVRM	1.8 / 1.5	0.196
VccVRM	1.05	< 1 (mA)
VccALVDS	3.3	< 1 (mA)
VccTX_LVDS	1.8	0.059

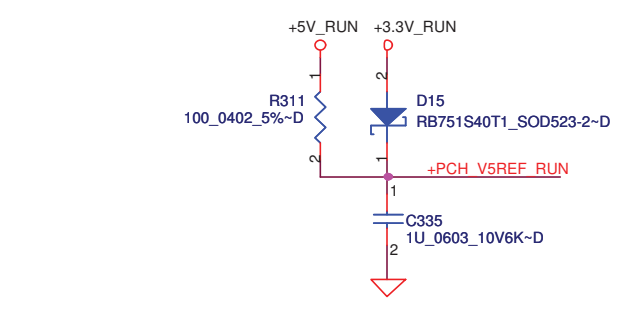
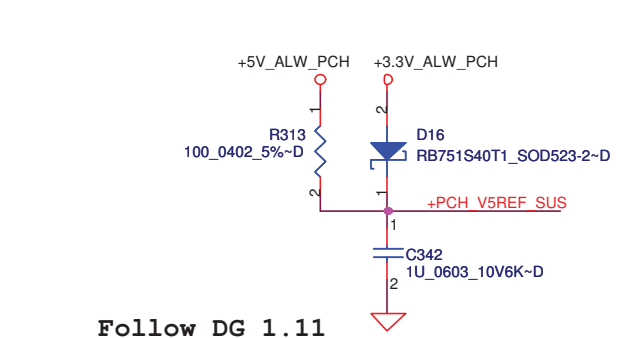
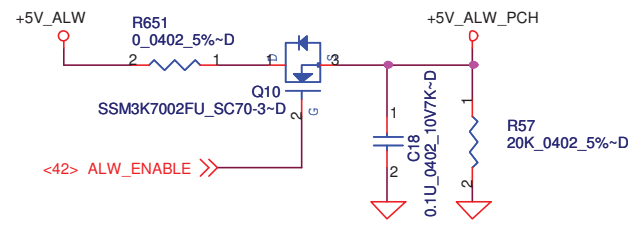
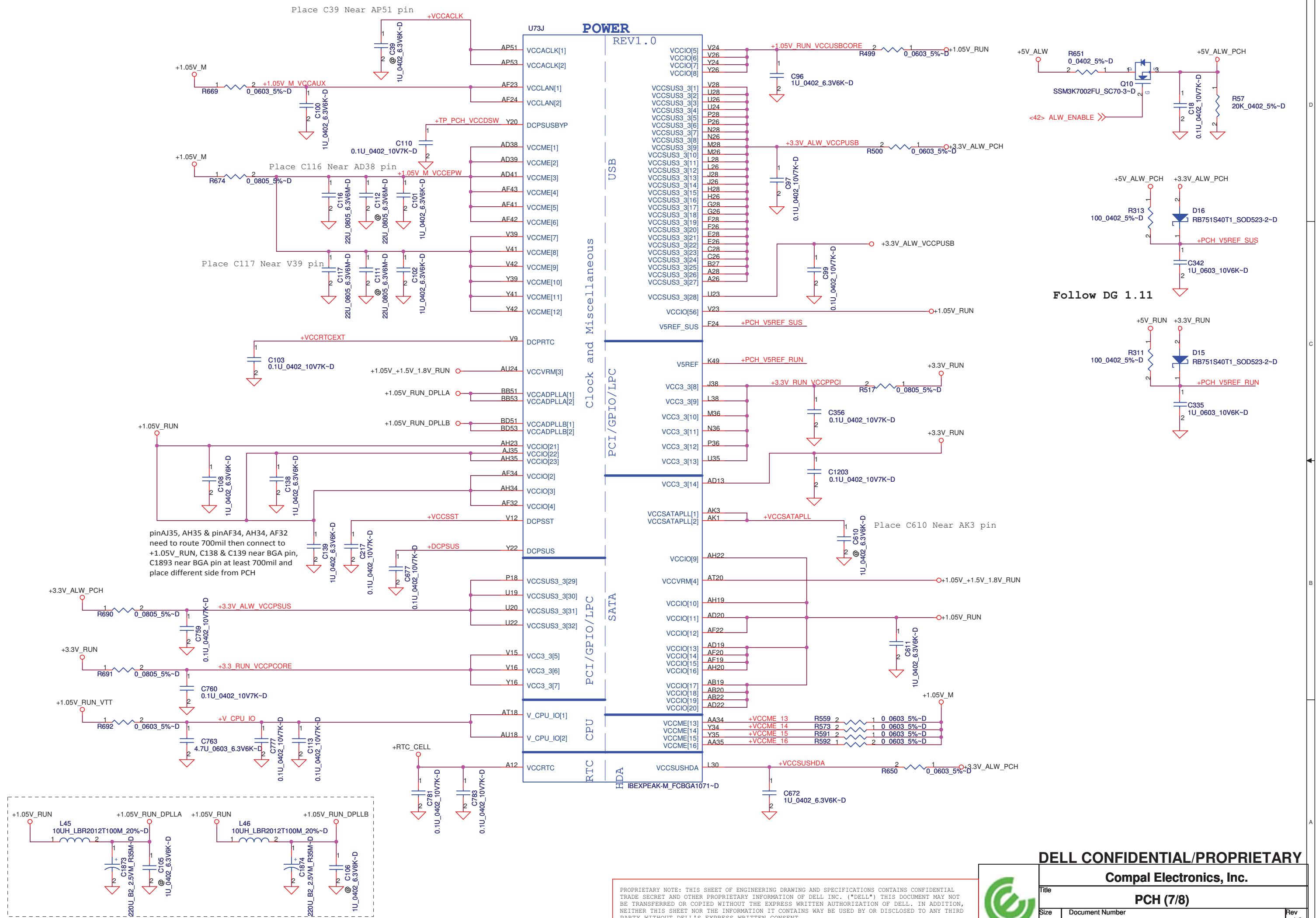
DELL CONFIDENTIAL/PROPRIETARY

Compal Electronics, Inc.

Title		PCH (6/8)	
Size	Document Number	LA-5471P	
Date	Wednesday, January 20, 2010	Sheet	20 of 57
		Rev	1.0

PROPRIETARY NOTE: THIS SHEET OF ENGINEERING DRAWING AND SPECIFICATIONS CONTAINS CONFIDENTIAL TRADE SECRET AND OTHER PROPRIETARY INFORMATION OF DELL INC. ("DELL") THIS DOCUMENT MAY NOT BE TRANSFERRED OR COPIED WITHOUT THE EXPRESS WRITTEN AUTHORIZATION OF DELL. IN ADDITION, NEITHER THIS SHEET NOR THE INFORMATION IT CONTAINS MAY BE USED BY OR DISCLOSED TO ANY THIRD PARTY WITHOUT DELL'S EXPRESS WRITTEN CONSENT.





DELL CONFIDENTIAL/PROPRIETARY

Compal Electronics, Inc.

Title: **PCH (7/8)**

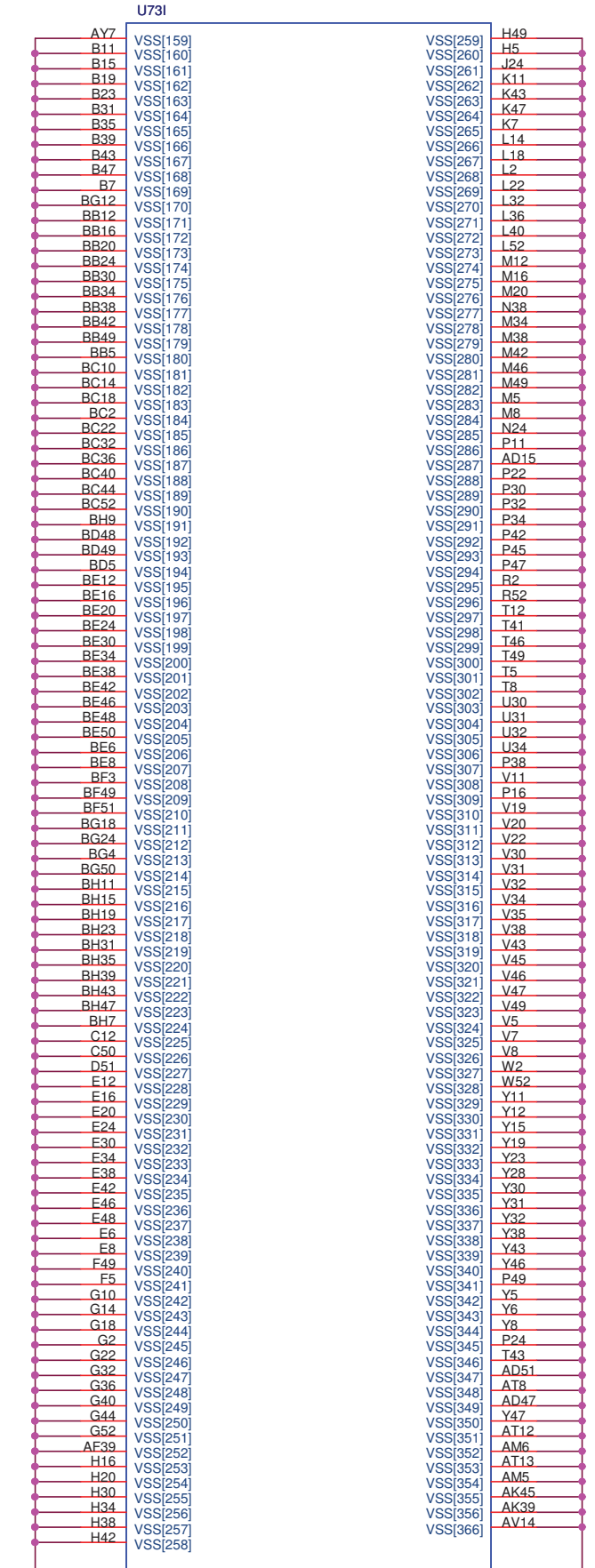
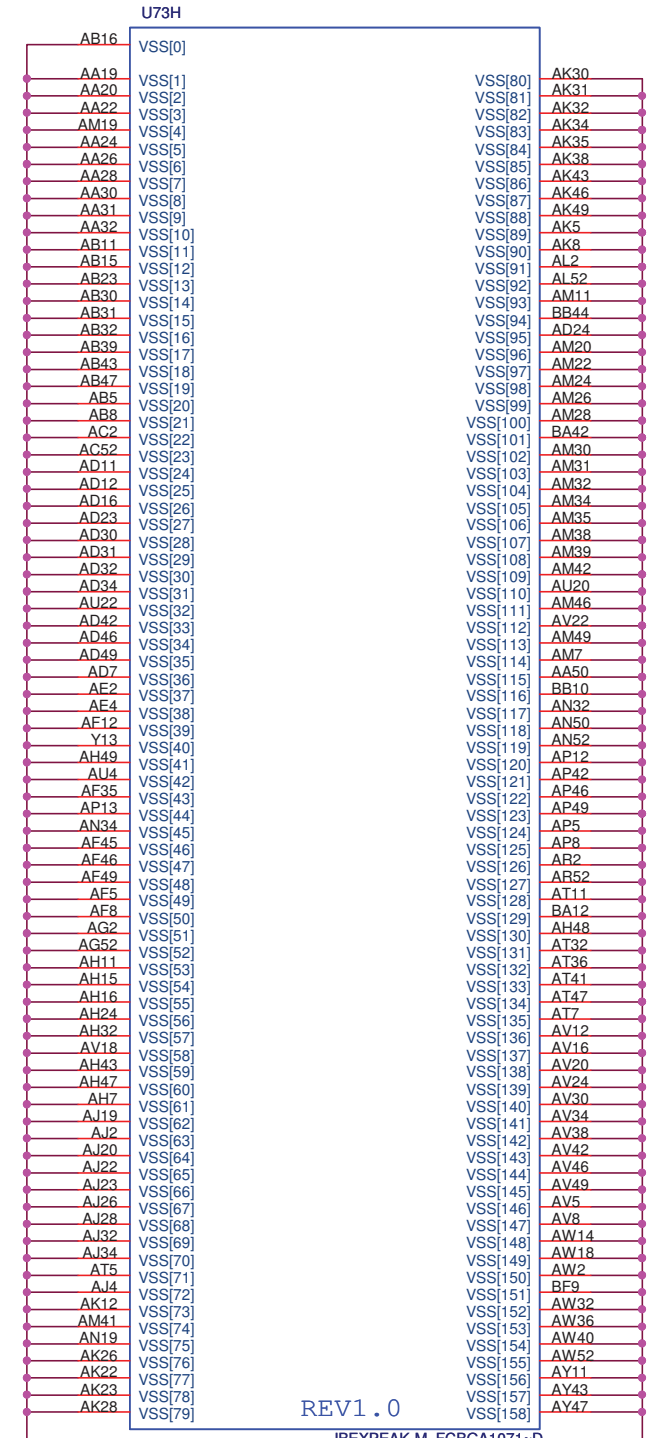
Size: **LA-5471P**

Date: **Wednesday, January 20, 2010**

Sheet: **21** of **57**

Rev: **1.0**

PROPRIETARY NOTE: THIS SHEET OF ENGINEERING DRAWING AND SPECIFICATIONS CONTAINS CONFIDENTIAL TRADE SECRET AND OTHER PROPRIETARY INFORMATION OF DELL INC. ("DELL") THIS DOCUMENT MAY NOT BE TRANSFERRED OR COPIED WITHOUT THE EXPRESS WRITTEN AUTHORIZATION OF DELL. IN ADDITION, NEITHER THIS SHEET NOR THE INFORMATION IT CONTAINS MAY BE USED BY OR DISCLOSED TO ANY THIRD PARTY WITHOUT DELL'S EXPRESS WRITTEN CONSENT.

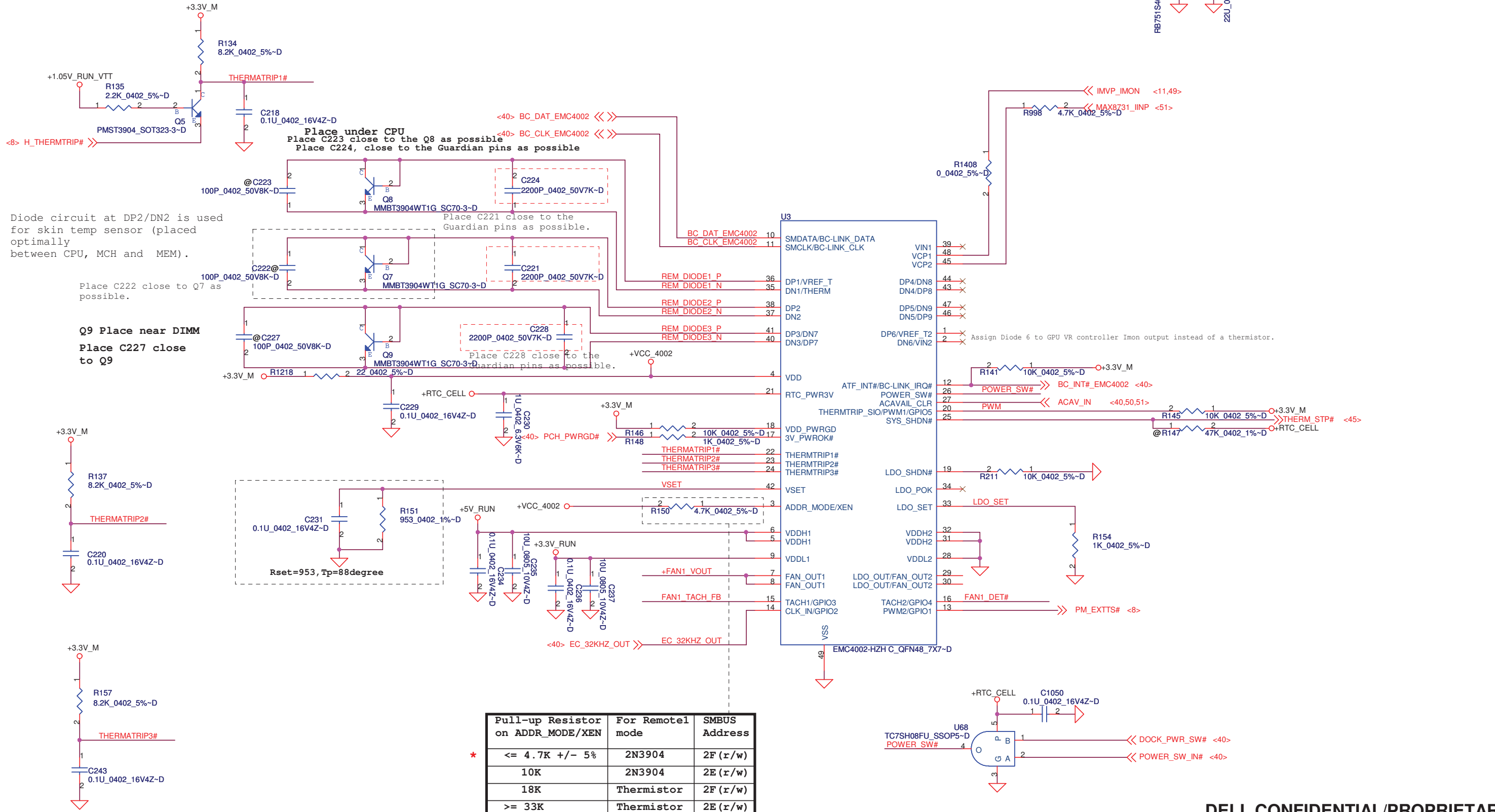


PROPRIETARY NOTE: THIS SHEET OF ENGINEERING DRAWING AND SPECIFICATIONS CONTAINS CONFIDENTIAL TRADE SECRET AND OTHER PROPRIETARY INFORMATION OF DELL INC. ("DELL") THIS DOCUMENT MAY NOT BE TRANSFERRED OR COPIED WITHOUT THE EXPRESS WRITTEN AUTHORIZATION OF DELL. IN ADDITION, NEITHER THIS SHEET NOR THE INFORMATION IT CONTAINS MAY BE USED BY OR DISCLOSED TO ANY THIRD PARTY WITHOUT DELL'S EXPRESS WRITTEN CONSENT.



DELL CONFIDENTIAL/PROPRIETARY

Compal Electronics, Inc.		
Title PCH (8/8)		
Size	Document Number LA-5471P	Rev 1.0
Date: Wednesday, January 20, 2010 Sheet 22 of 57		



Diode circuit at DP2/DN2 is used for skin temp sensor (placed optimally between CPU, MCH and MEM).

Place C222 close to Q7 as possible.

Q9 Place near DIMM
Place C227 close to Q9

Place under CPU
Place C223 close to the Q8 as possible
Place C224, close to the Guardian pins as possible

Place C221 close to the Guardian pins as possible.

Rset=953, Tp=88degree

Pull-up Resistor on ADDR_MODE/XEN	For Remote mode	SMBUS Address
<= 4.7K +/- 5%	2N3904	2F (r/w)
10K	2N3904	2E (r/w)
18K	Thermistor	2F (r/w)
>= 33K	Thermistor	2E (r/w)

PROPRIETARY NOTE: THIS SHEET OF ENGINEERING DRAWING AND SPECIFICATIONS CONTAINS CONFIDENTIAL TRADE SECRET AND OTHER PROPRIETARY INFORMATION OF DELL INC. ("DELL") THIS DOCUMENT MAY NOT BE TRANSFERRED OR COPIED WITHOUT THE EXPRESS WRITTEN AUTHORIZATION OF DELL. IN ADDITION, NEITHER THIS SHEET NOR THE INFORMATION IT CONTAINS MAY BE USED BY OR DISCLOSED TO ANY THIRD PARTY WITHOUT DELL'S EXPRESS WRITTEN CONSENT.



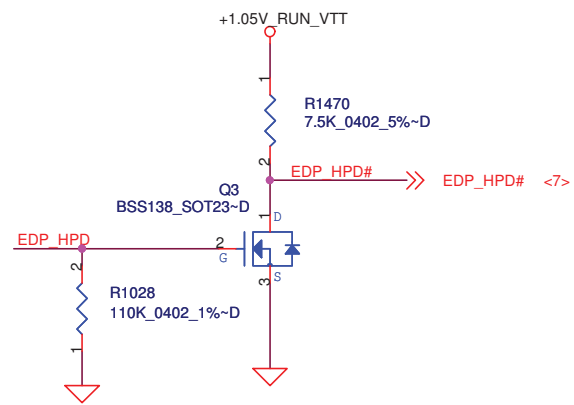
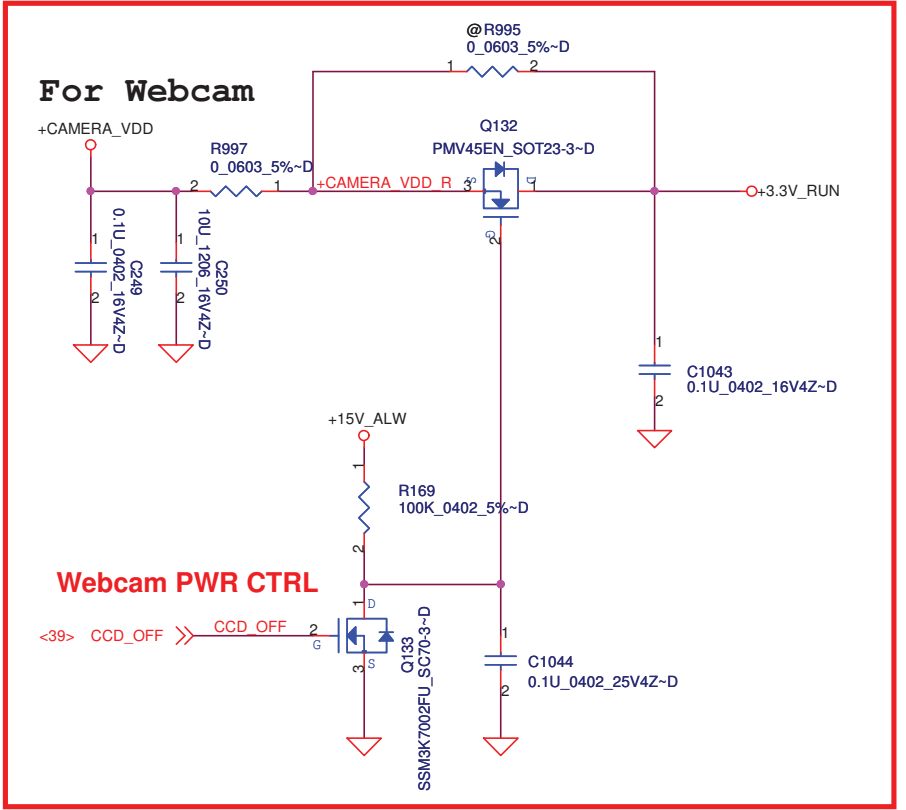
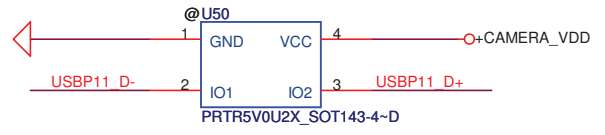
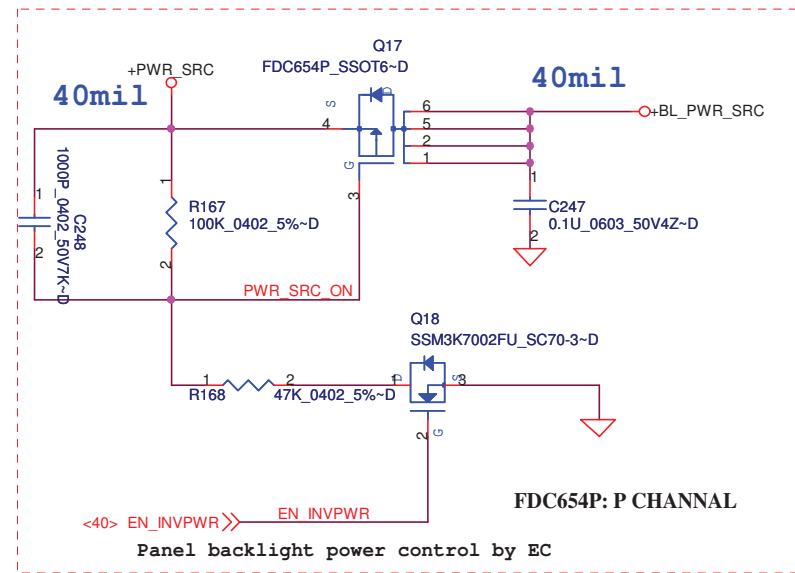
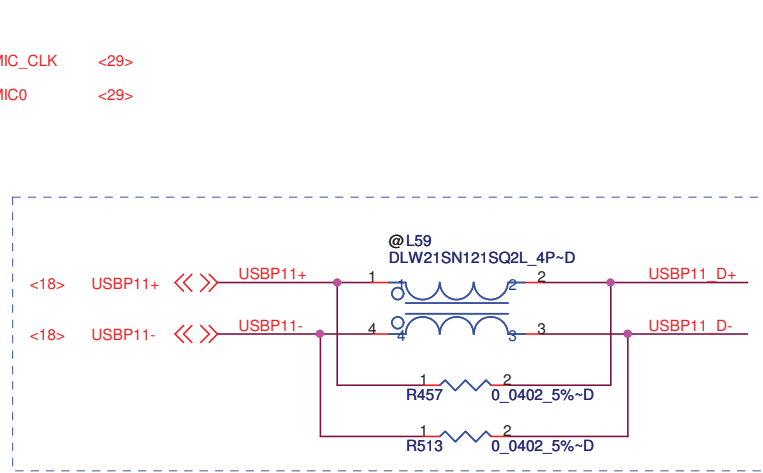
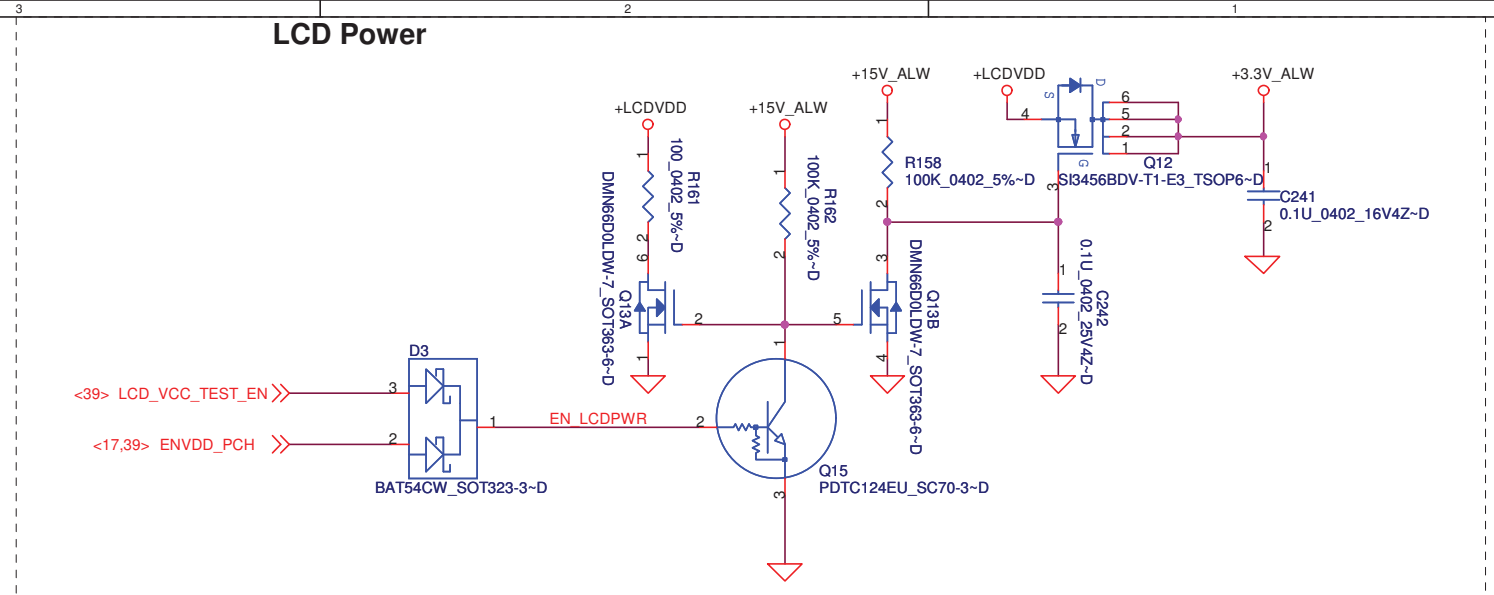
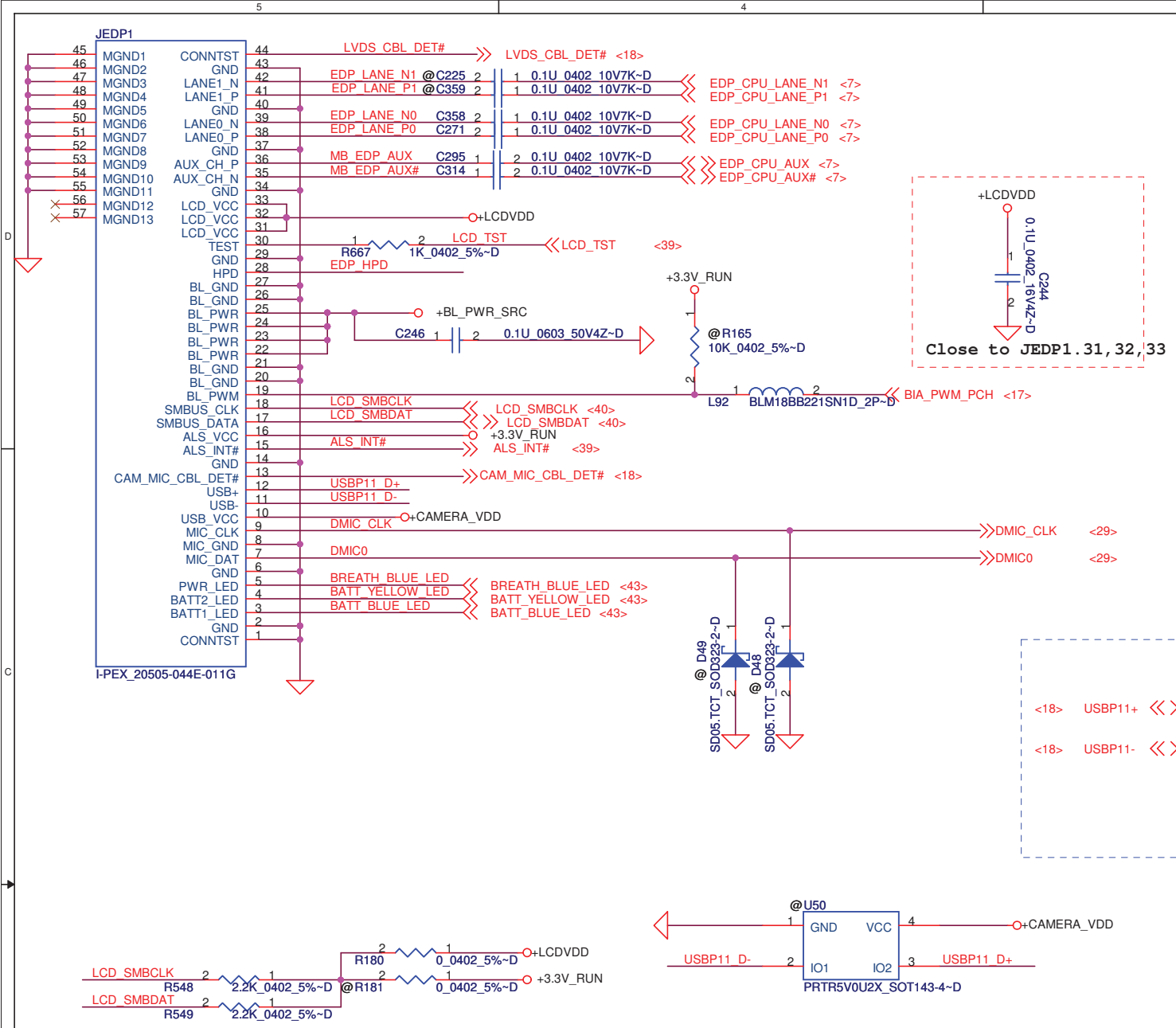
DELL CONFIDENTIAL/PROPRIETARY

Compal Electronics, Inc.

Title: **FAN & Thermal Sensor**

Size: Document Number **LA-5471P** Rev 1.0

Date: Wednesday, January 20, 2010 Sheet 23 of 57



PROPRIETARY NOTE: THIS SHEET OF ENGINEERING DRAWING AND SPECIFICATIONS CONTAINS CONFIDENTIAL TRADE SECRET AND OTHER PROPRIETARY INFORMATION OF DELL INC. ("DELL") THIS DOCUMENT MAY NOT BE TRANSFERRED OR COPIED WITHOUT THE EXPRESS WRITTEN AUTHORIZATION OF DELL. IN ADDITION, NEITHER THIS SHEET NOR THE INFORMATION IT CONTAINS MAY BE USED BY OR DISCLOSED TO ANY THIRD PARTY WITHOUT DELL'S EXPRESS WRITTEN CONSENT.

DELL CONFIDENTIAL/PROPRIETARY

Compal Electronics, Inc.

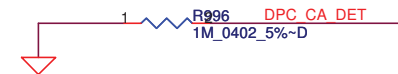
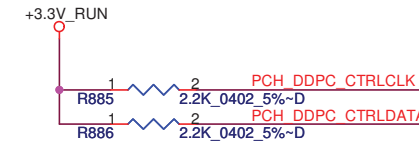
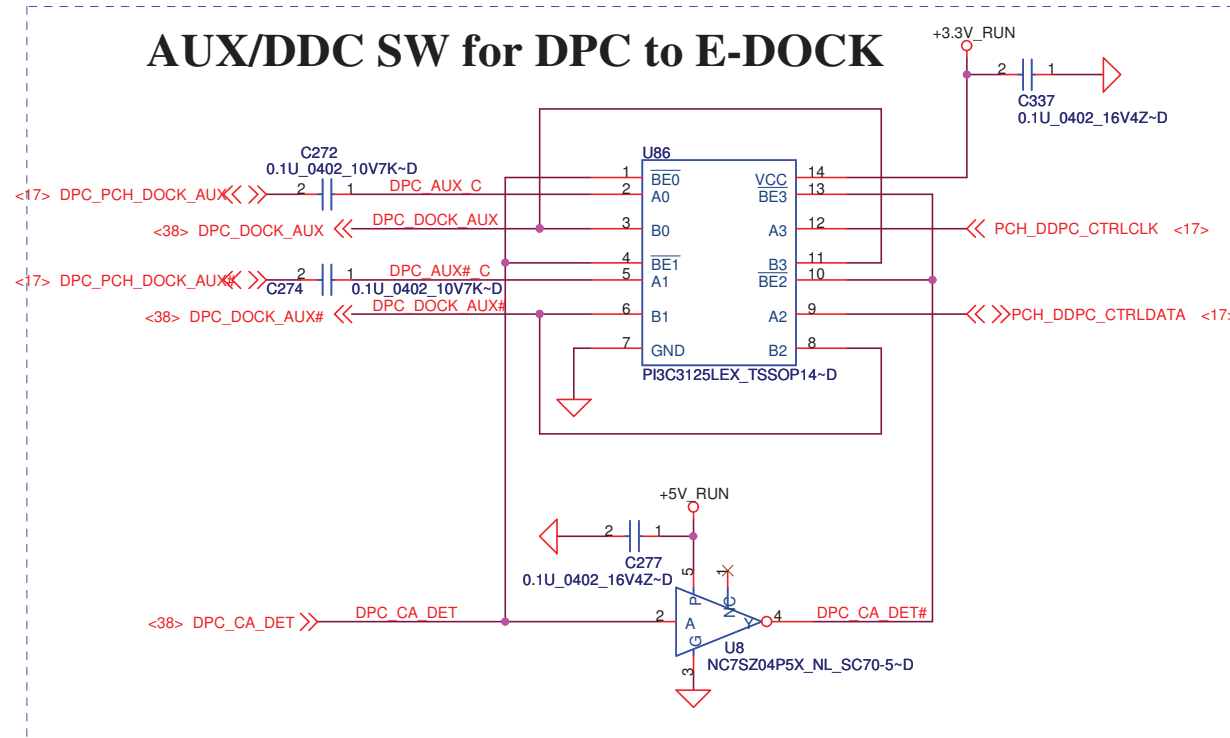
Title: **eDP & CAM Conn**

Size: **LA-5471P**

Rev: **1.0**

Date: **Wednesday, January 20, 2010** Sheet **24** of **57**

AUX/DDC SW for DPC to E-DOCK



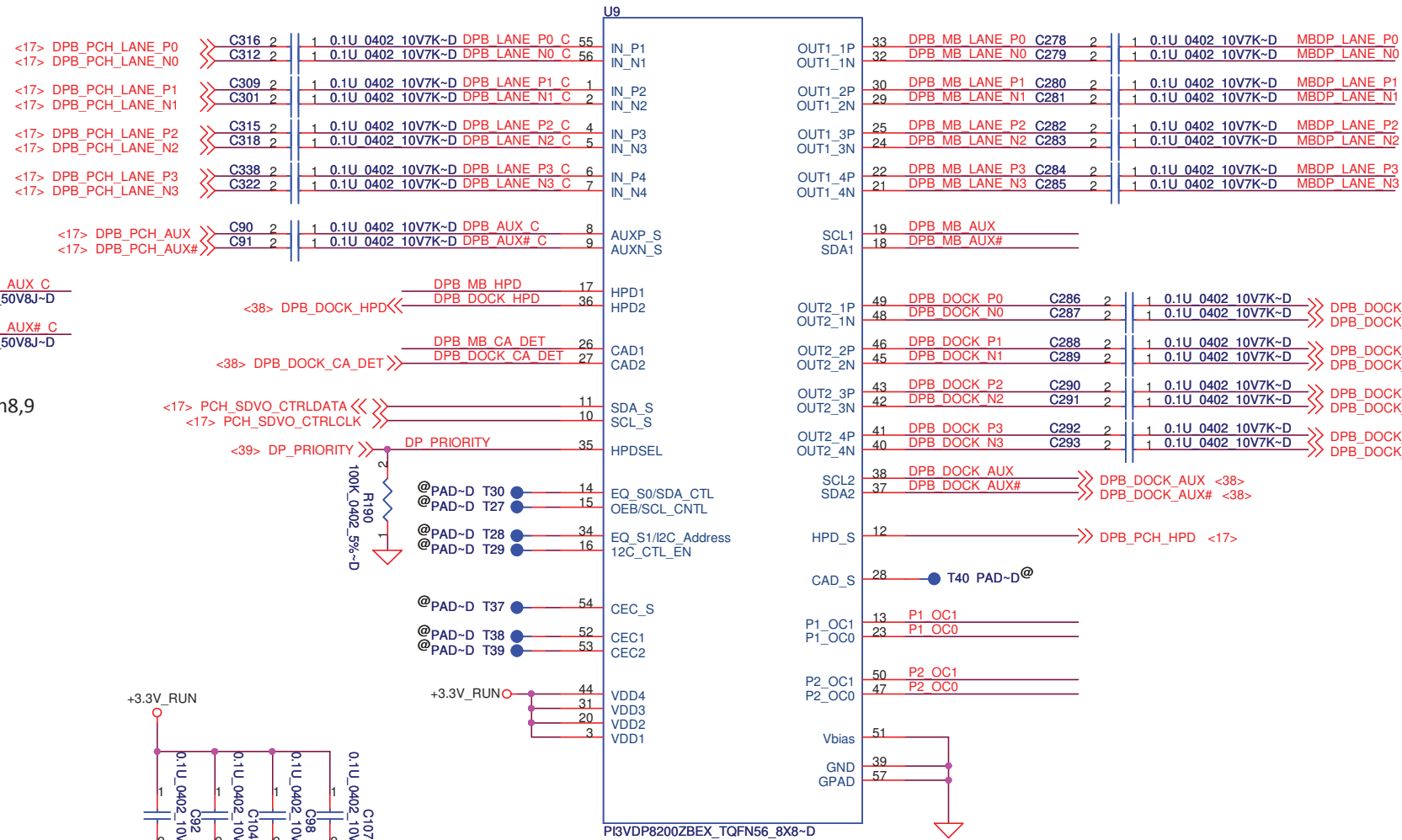
PROPRIETARY NOTE: THIS SHEET OF ENGINEERING DRAWING AND SPECIFICATIONS CONTAINS CONFIDENTIAL TRADE SECRET AND OTHER PROPRIETARY INFORMATION OF DELL INC. ("DELL") THIS DOCUMENT MAY NOT BE TRANSFERRED OR COPIED WITHOUT THE EXPRESS WRITTEN AUTHORIZATION OF DELL. IN ADDITION, NEITHER THIS SHEET NOR THE INFORMATION IT CONTAINS WAY BE USED BY OR DISCLOSED TO ANY THIRD PARTY WITHOUT DELL'S EXPRESS WRITTEN CONSENT.



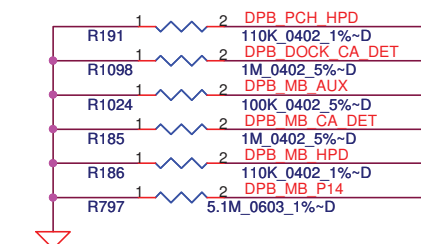
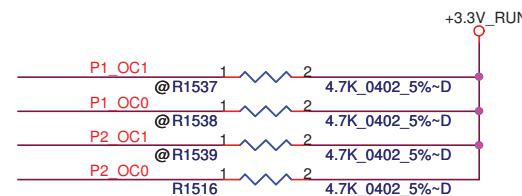
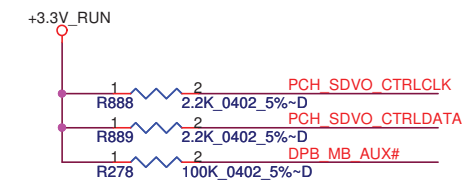
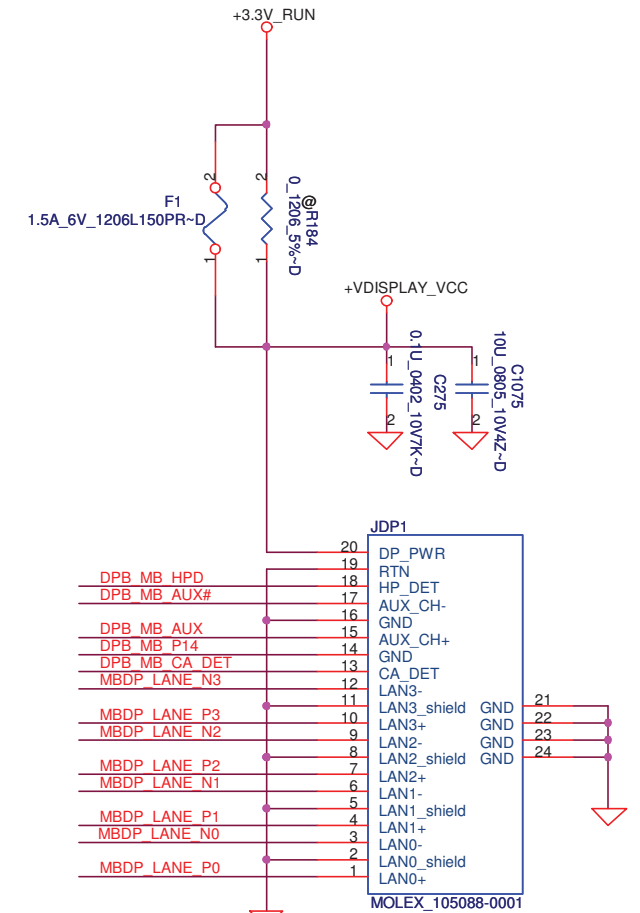
DELL CONFIDENTIAL/PROPRIETARY

Compal Electronics, Inc.		
Title DPC DPD SW for DOCK		
Size	Document Number LA-5471P	Rev 1.0
Date: Wednesday, January 20, 2010	Sheet 25 of 57	

DPB SW for MB & DOCK



Display port Connector



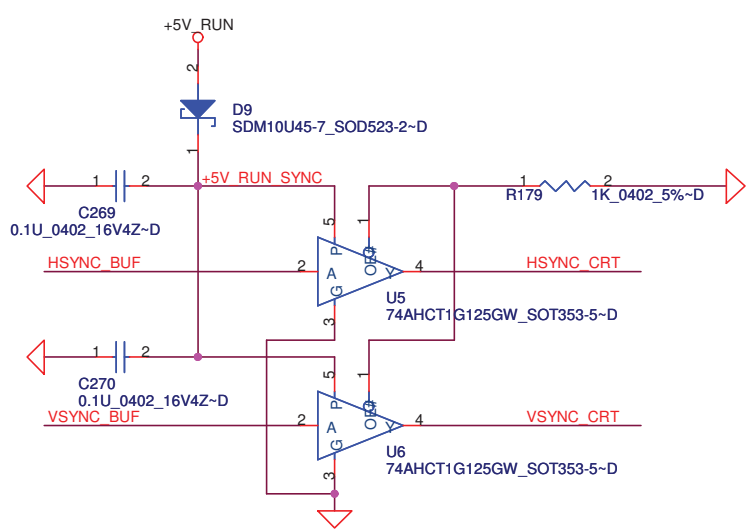
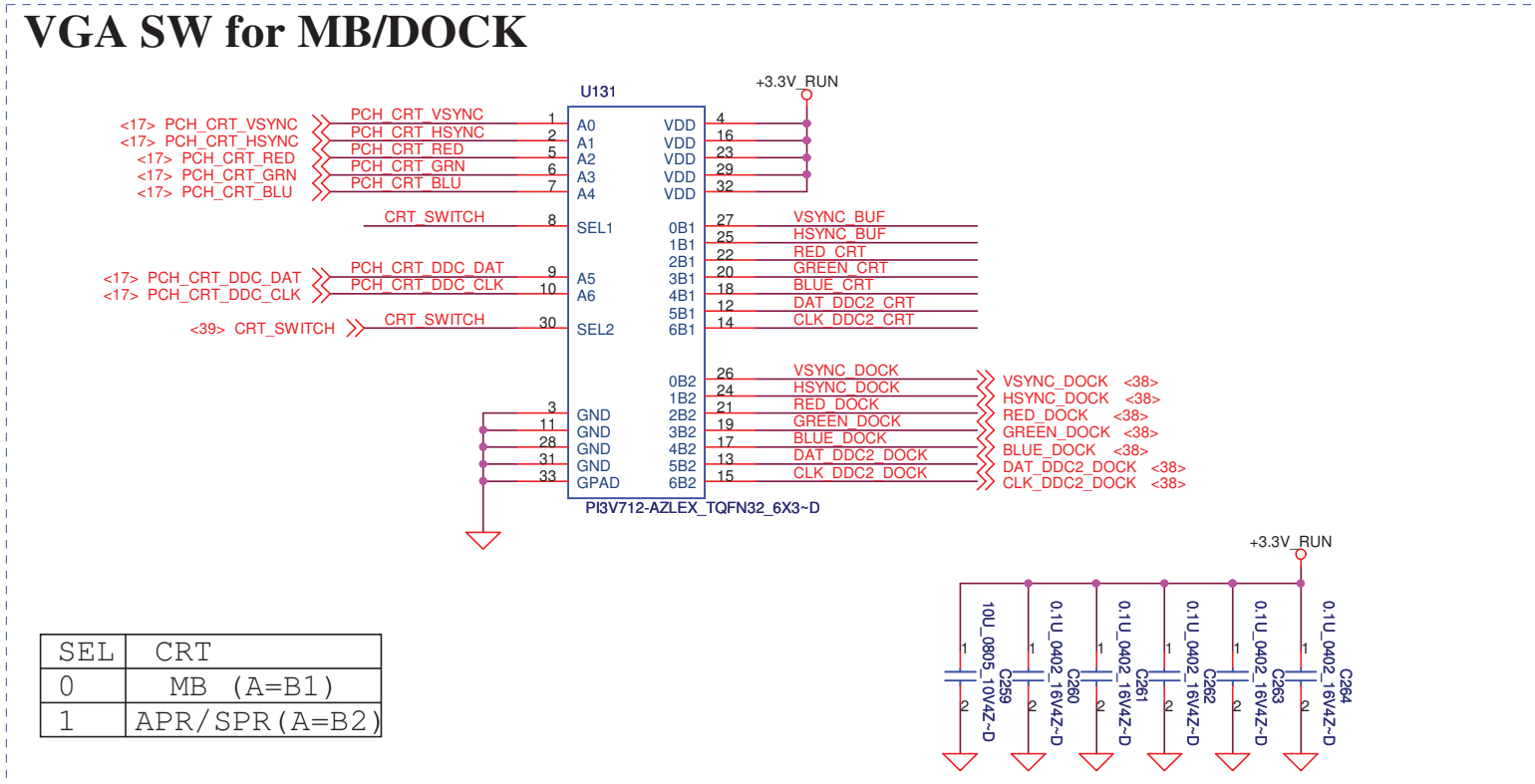
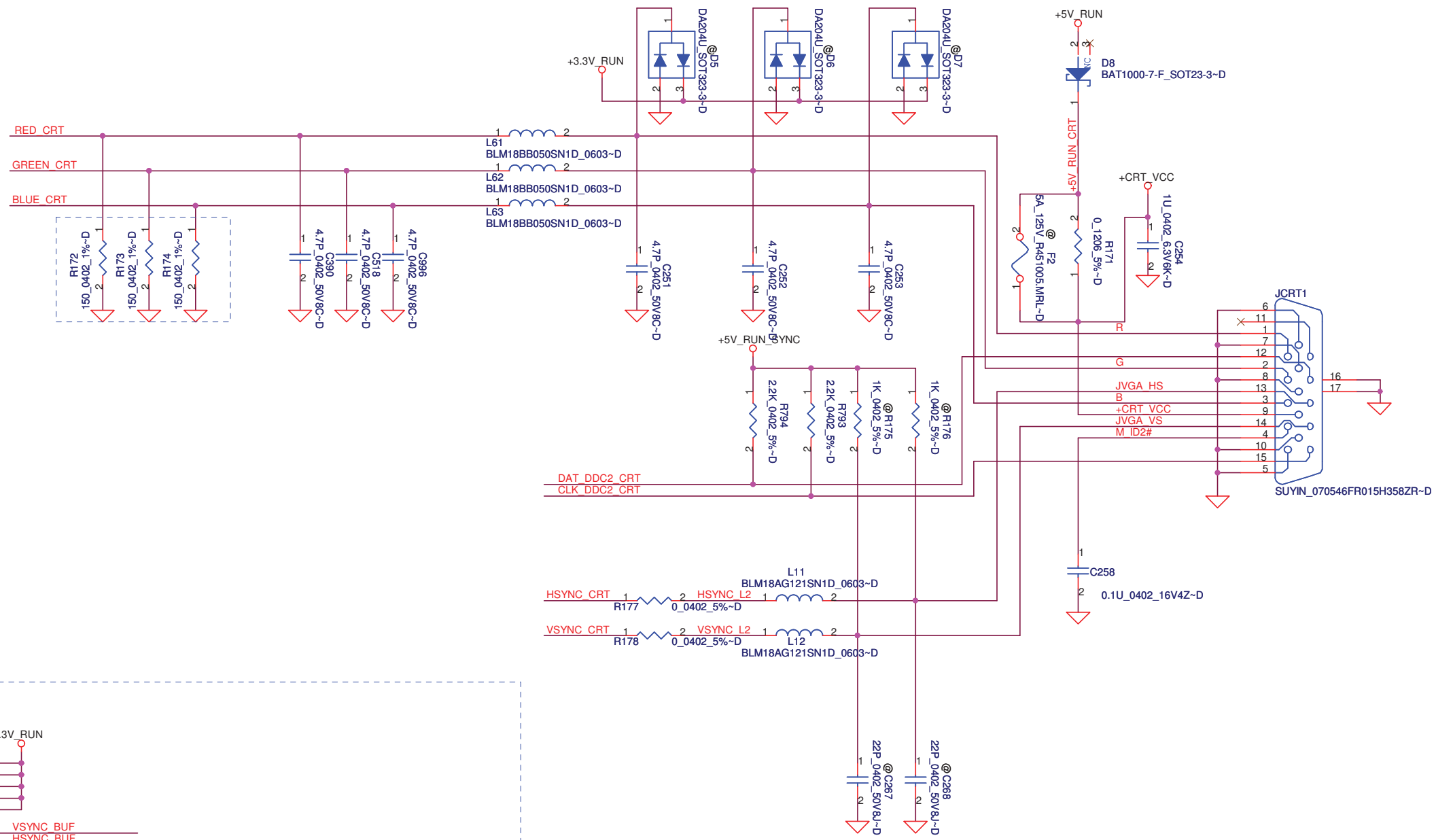
DELL CONFIDENTIAL/PROPRIETARY

Compal Electronics, Inc.



Title		Display port	
Size	Document Number	LA-5471P	
Date:	Wednesday, January 20, 2010	Sheet	26 of 57
		Rev	1.0

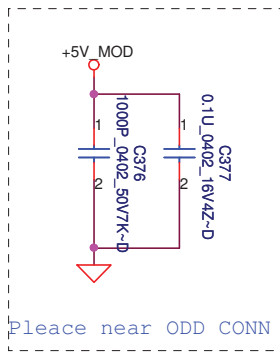
PROPRIETARY NOTE: THIS SHEET OF ENGINEERING DRAWING AND SPECIFICATIONS CONTAINS CONFIDENTIAL TRADE SECRET AND OTHER PROPRIETARY INFORMATION OF DELL INC. ("DELL") THIS DOCUMENT MAY NOT BE TRANSFERRED OR COPIED WITHOUT THE EXPRESS WRITTEN AUTHORIZATION OF DELL. IN ADDITION, NEITHER THIS SHEET NOR THE INFORMATION IT CONTAINS MAY BE USED BY OR DISCLOSED TO ANY THIRD PARTY WITHOUT DELL'S EXPRESS WRITTEN CONSENT.



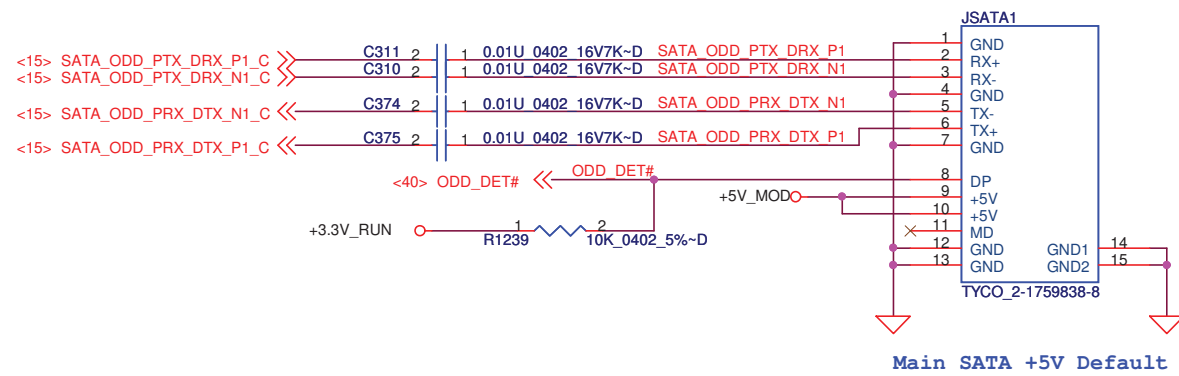
DELL CONFIDENTIAL/PROPRIETARY

		Compal Electronics, Inc.	
		CRT/Video switch	
Size	Document Number	LA-5471P	
Date:	Wednesday, January 20, 2010	Sheet	27 of 57
		Rev	1.0

PROPRIETARY NOTE: THIS SHEET OF ENGINEERING DRAWING AND SPECIFICATIONS CONTAINS CONFIDENTIAL TRADE SECRET AND OTHER PROPRIETARY INFORMATION OF DELL INC. ("DELL") THIS DOCUMENT MAY NOT BE TRANSFERRED OR COPIED WITHOUT THE EXPRESS WRITTEN AUTHORIZATION OF DELL. IN ADDITION, NEITHER THIS SHEET NOR THE INFORMATION IT CONTAINS MAY BE USED BY OR DISCLOSED TO ANY THIRD PARTY WITHOUT DELL'S EXPRESS WRITTEN CONSENT.

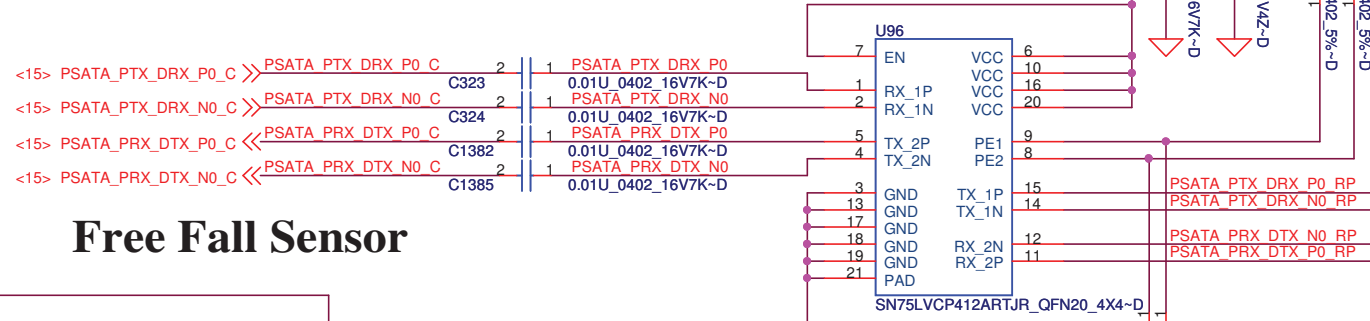


For ODD

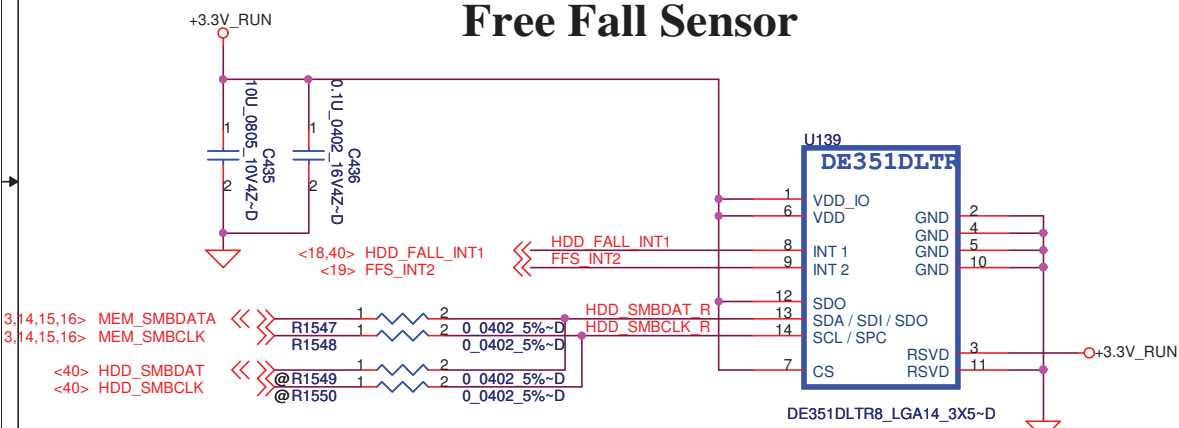


Main SATA +5V Default

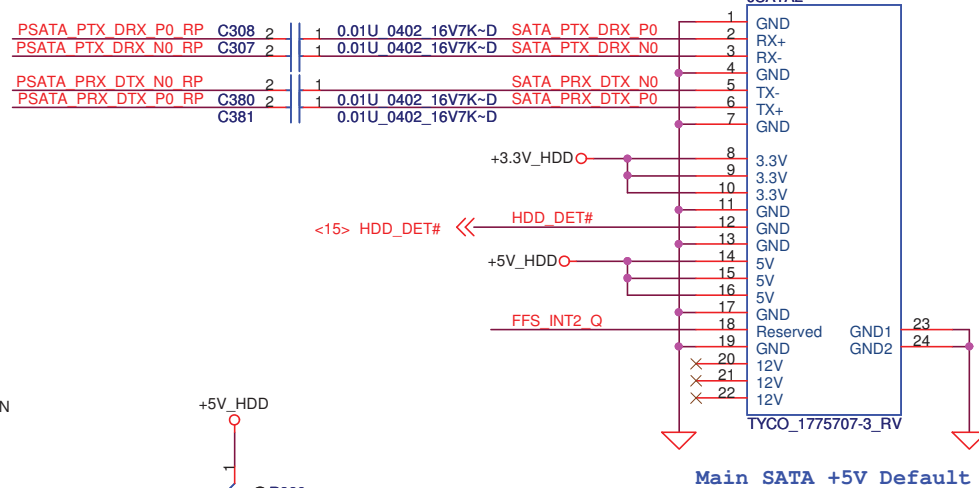
HDD Repeater



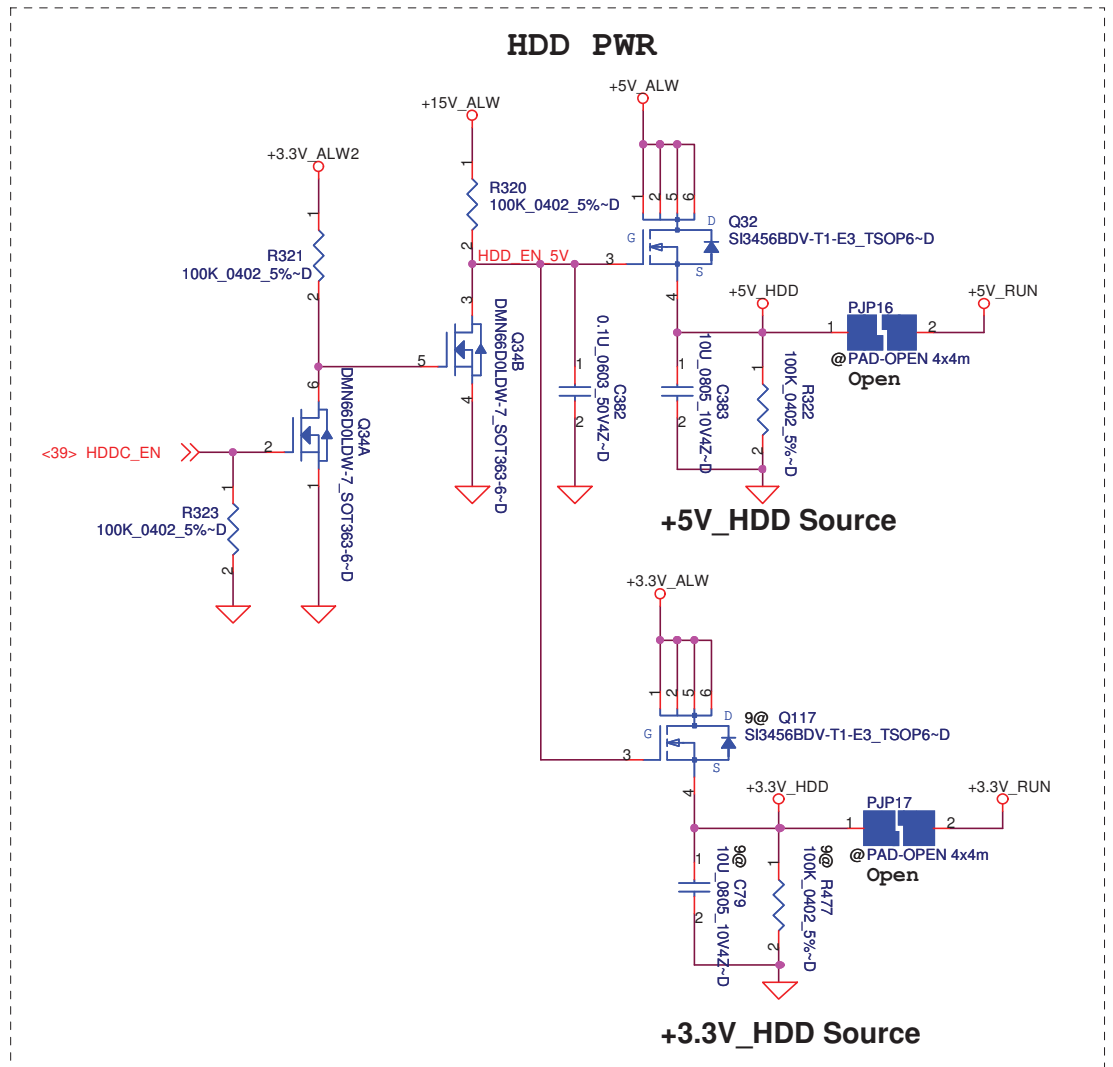
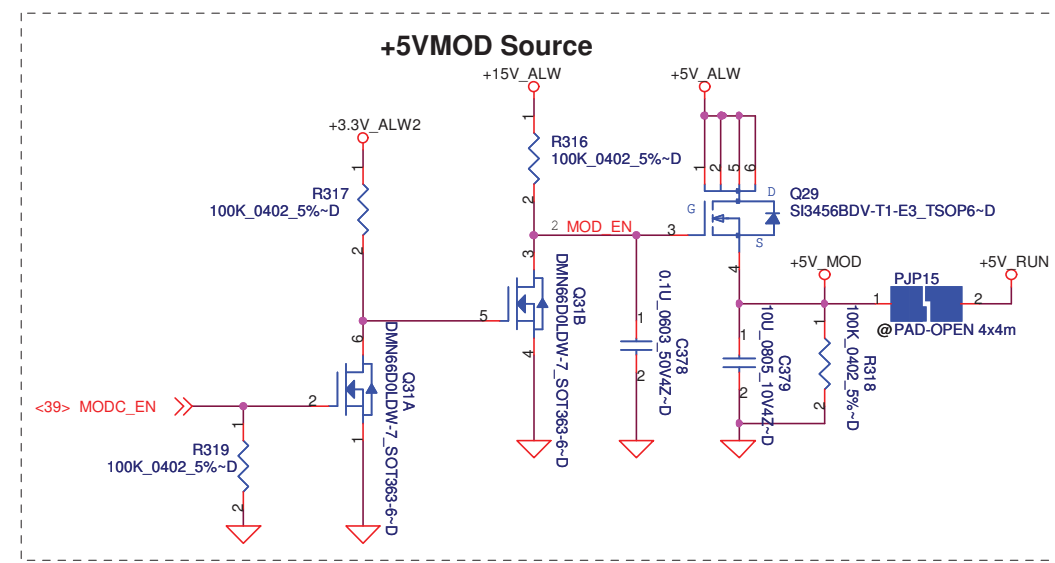
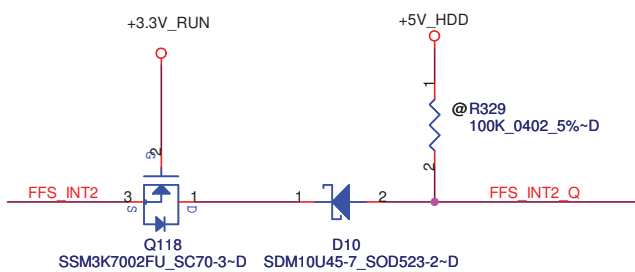
Free Fall Sensor



For HDD



Main SATA +5V Default



DELL CONFIDENTIAL/PROPRIETARY

Compal Electronics, Inc.

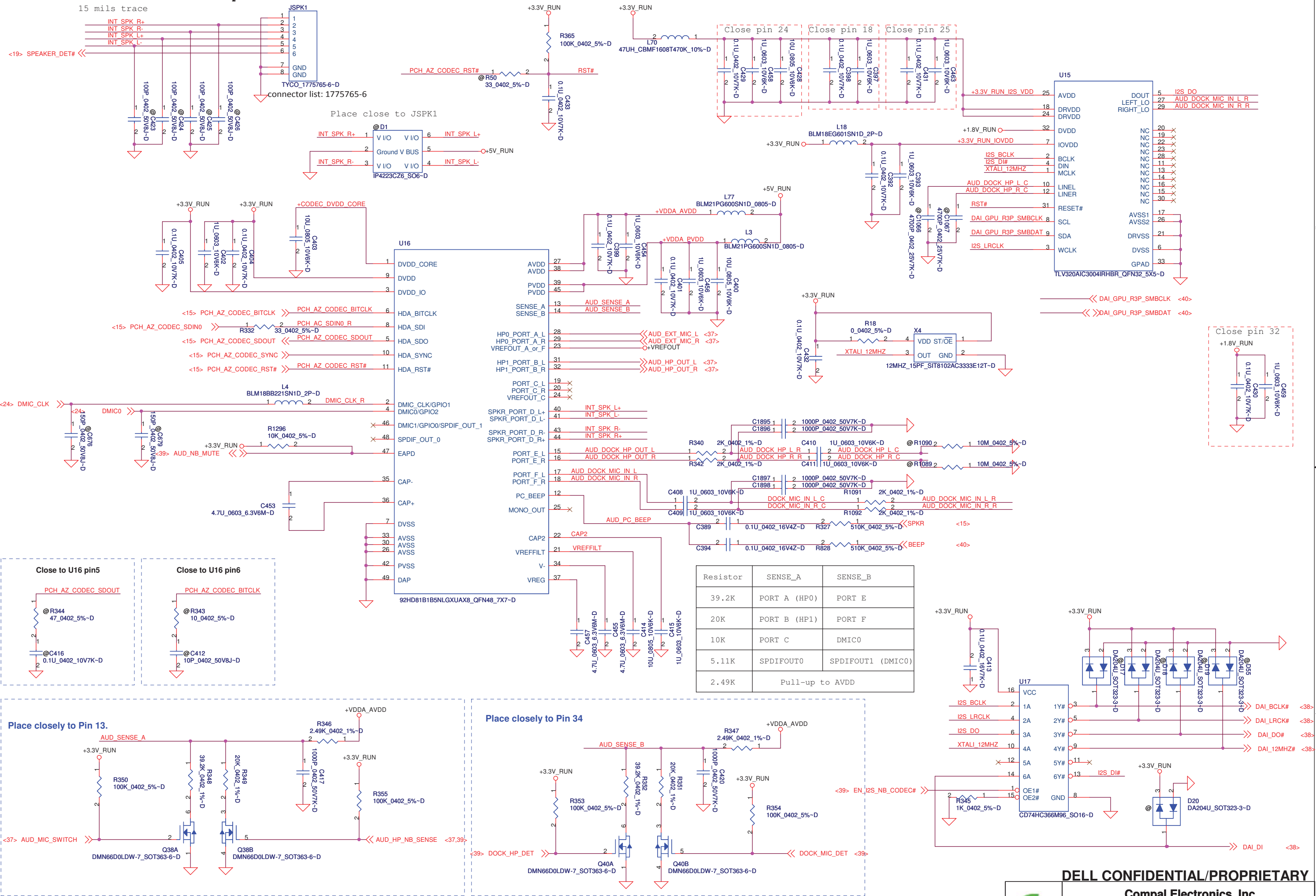


Title			ODD/HDD CONNECTOR		
Size	Document Number	LA-5471P		Rev	1.0
Date:	Wednesday, January 20, 2010	Sheet	28	of	57

PROPRIETARY NOTE: THIS SHEET OF ENGINEERING DRAWING AND SPECIFICATIONS CONTAINS CONFIDENTIAL TRADE SECRET AND OTHER PROPRIETARY INFORMATION OF DELL INC. ("DELL") THIS DOCUMENT MAY NOT BE TRANSFERRED OR COPIED WITHOUT THE EXPRESS WRITTEN AUTHORIZATION OF DELL. IN ADDITION, NEITHER THIS SHEET NOR THE INFORMATION IT CONTAINS MAY BE USED BY OR DISCLOSED TO ANY THIRD PARTY WITHOUT DELL'S EXPRESS WRITTEN CONSENT.

Please near HDD CONN

Speaker Connector



DELL CONFIDENTIAL/PROPRIETARY

Compal Electronics, Inc.

Azalia (HD) Codec

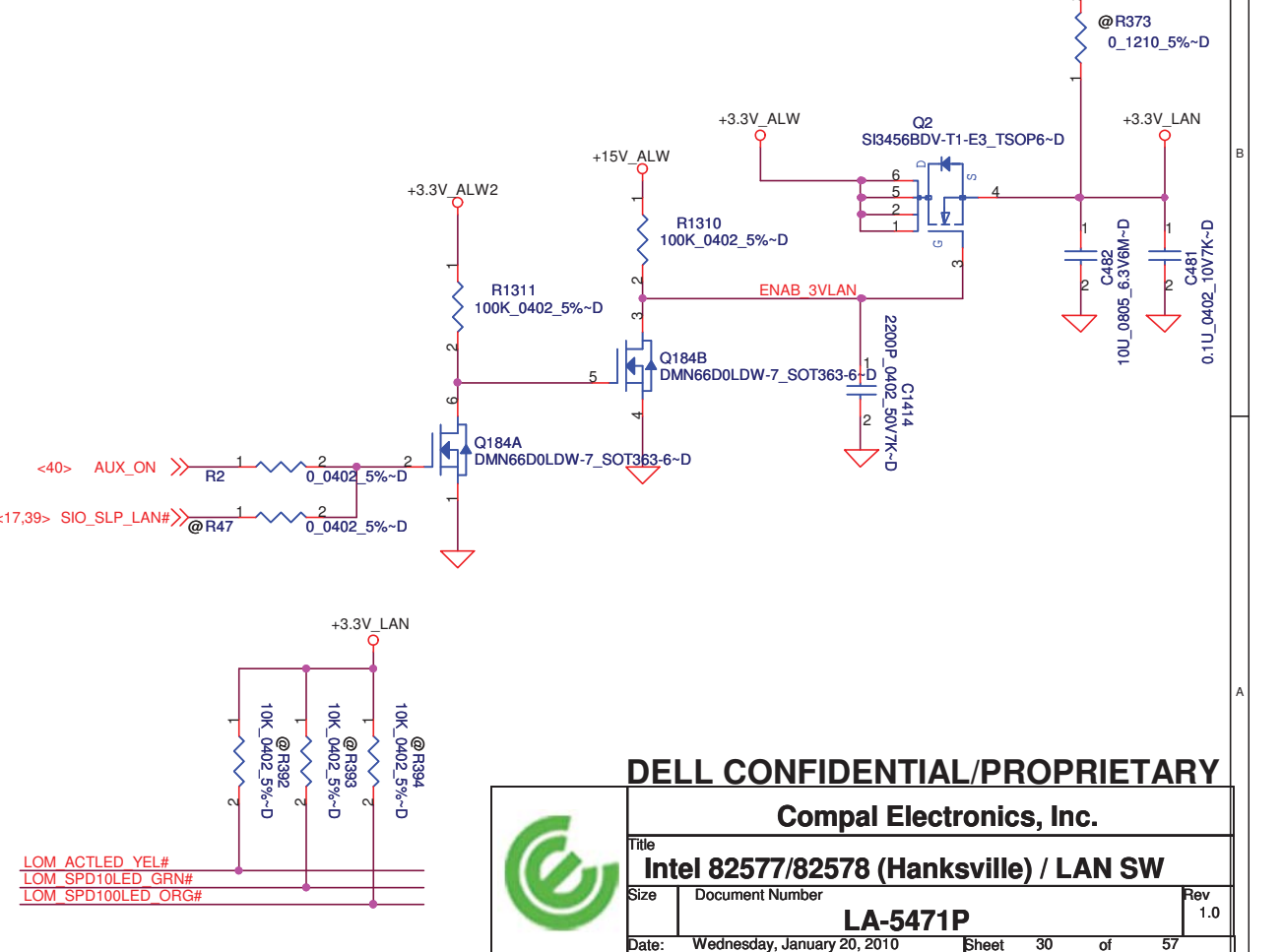
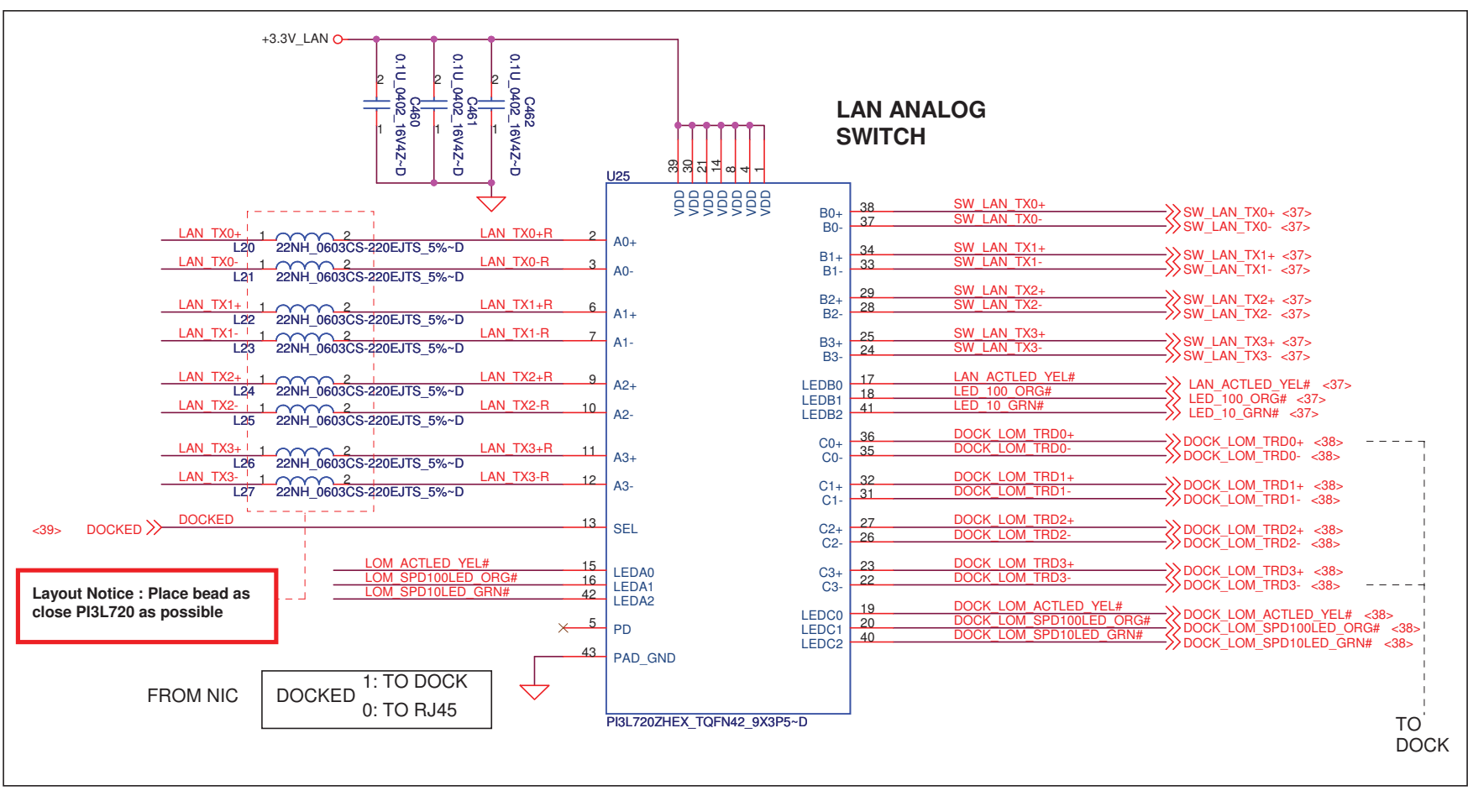
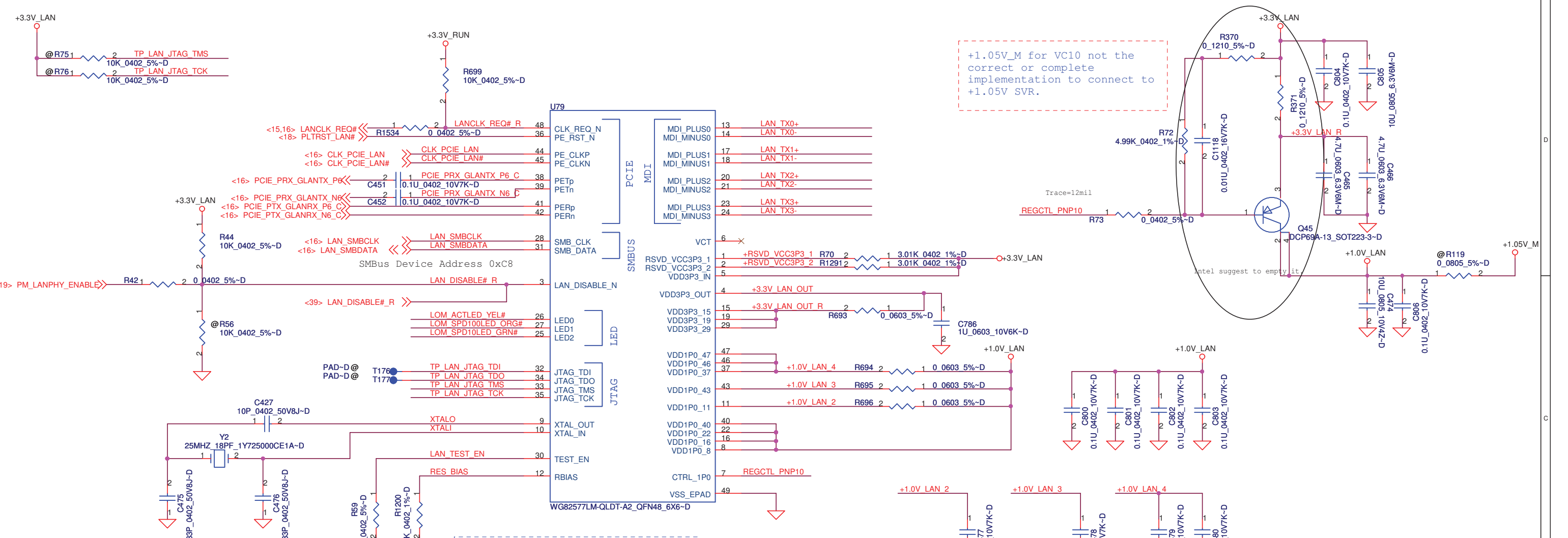
LA-5471P

Rev 1.0

Date: Wednesday, January 20, 2010

Sheet 29 of 57

PROPRIETARY NOTE: THIS SHEET OF ENGINEERING DRAWING AND SPECIFICATIONS CONTAINS CONFIDENTIAL TRADE SECRET AND OTHER PROPRIETARY INFORMATION OF DELL INC. ("DELL") THIS DOCUMENT MAY NOT BE TRANSFERRED OR COPIED WITHOUT THE EXPRESS WRITTEN AUTHORIZATION OF DELL. IN ADDITION, NEITHER THIS SHEET NOR THE INFORMATION IT CONTAINS MAY BE USED BY OR DISCLOSED TO ANY THIRD PARTY WITHOUT DELL'S EXPRESS WRITTEN CONSENT.



DELL CONFIDENTIAL/PROPRIETARY

Compal Electronics, Inc.

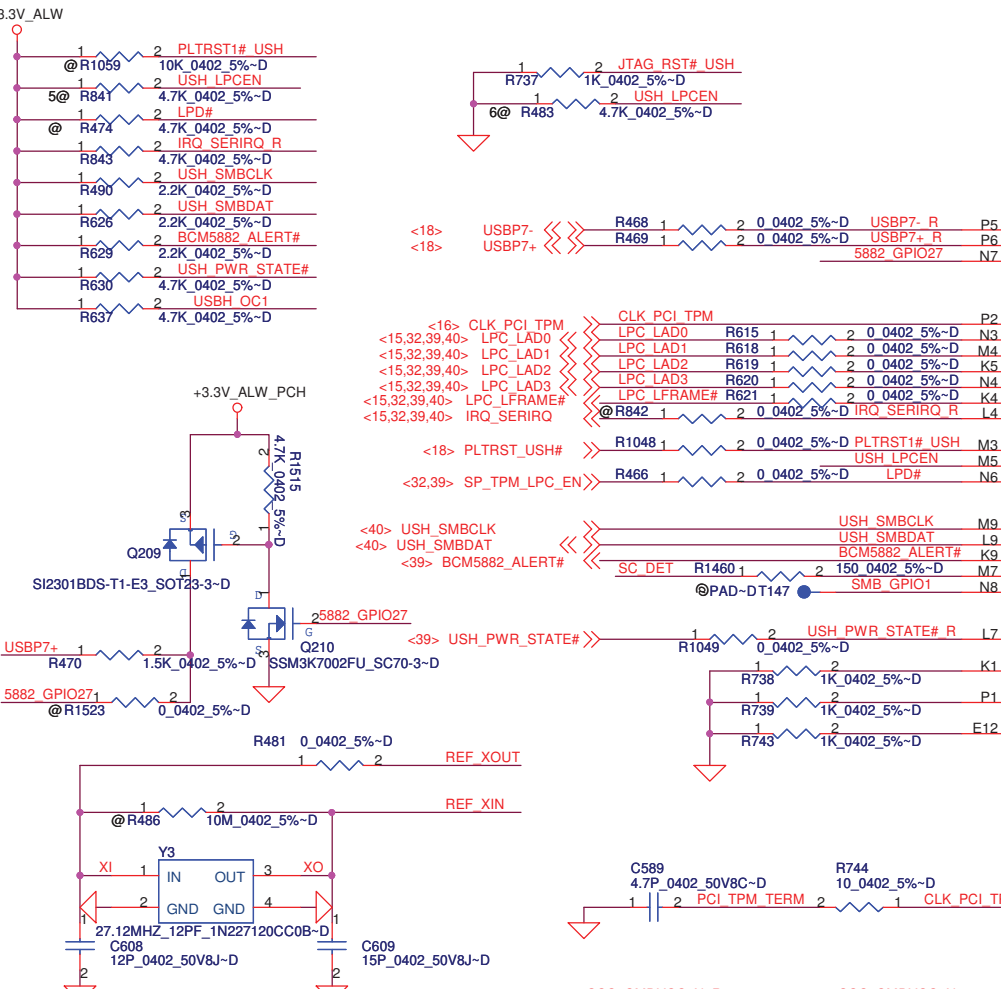
Title: Intel 82577/82578 (Hanksville) / LAN SW

Size: Document Number

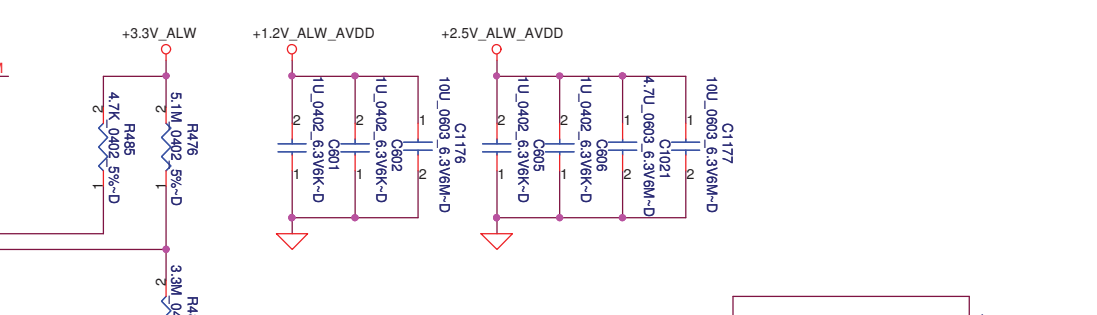
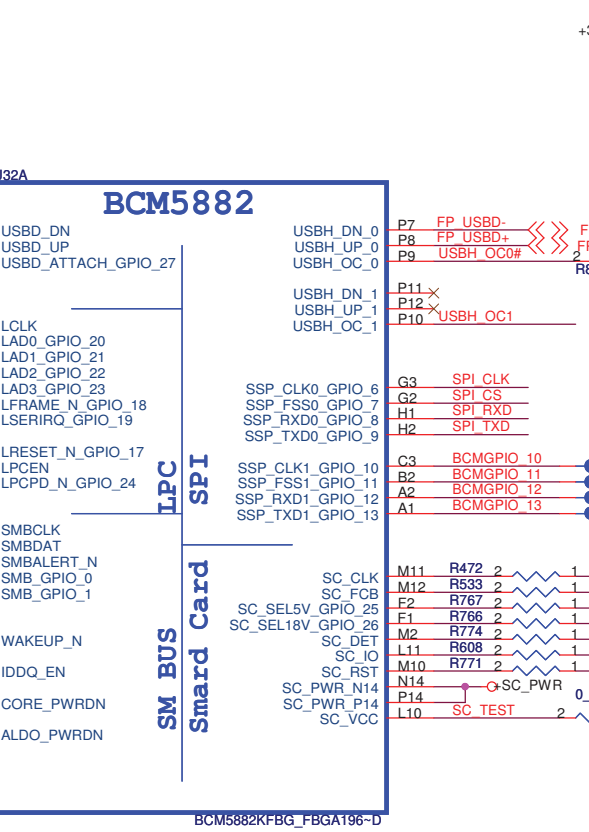
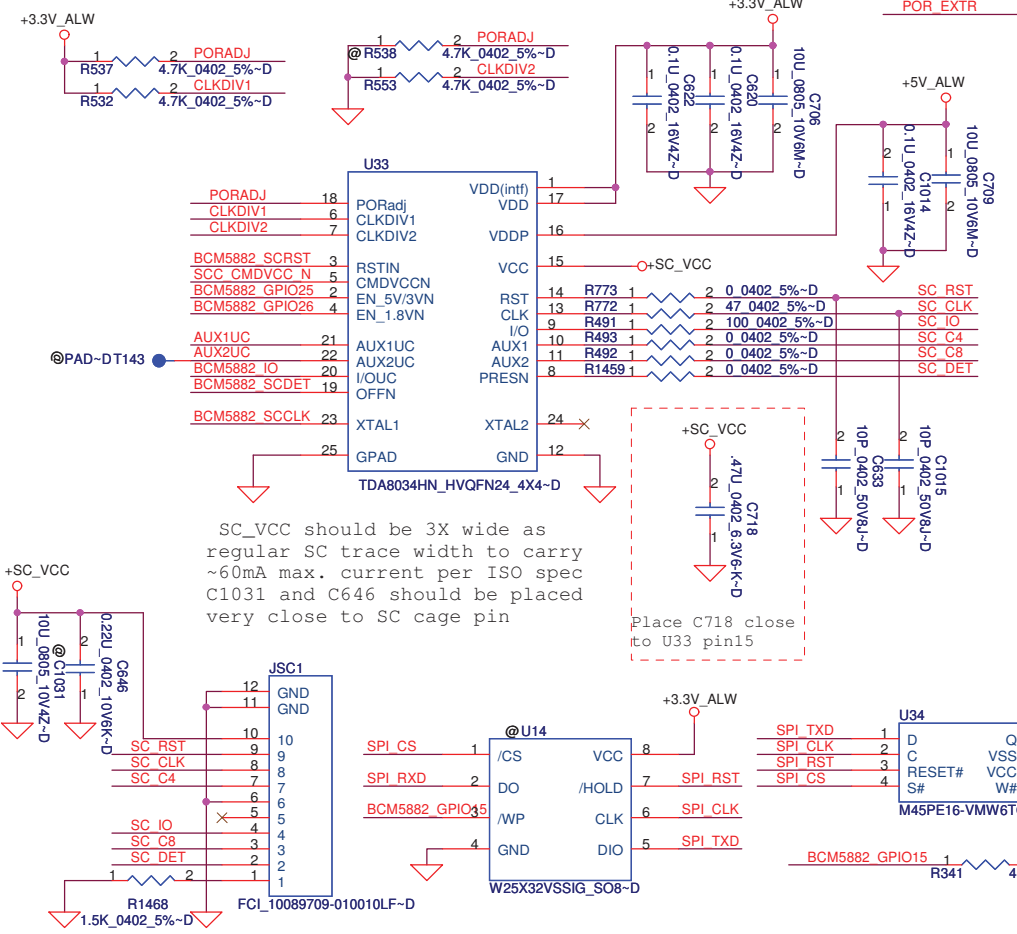
Rev: 1.0

Date: Wednesday, January 20, 2010 Sheet 30 of 57

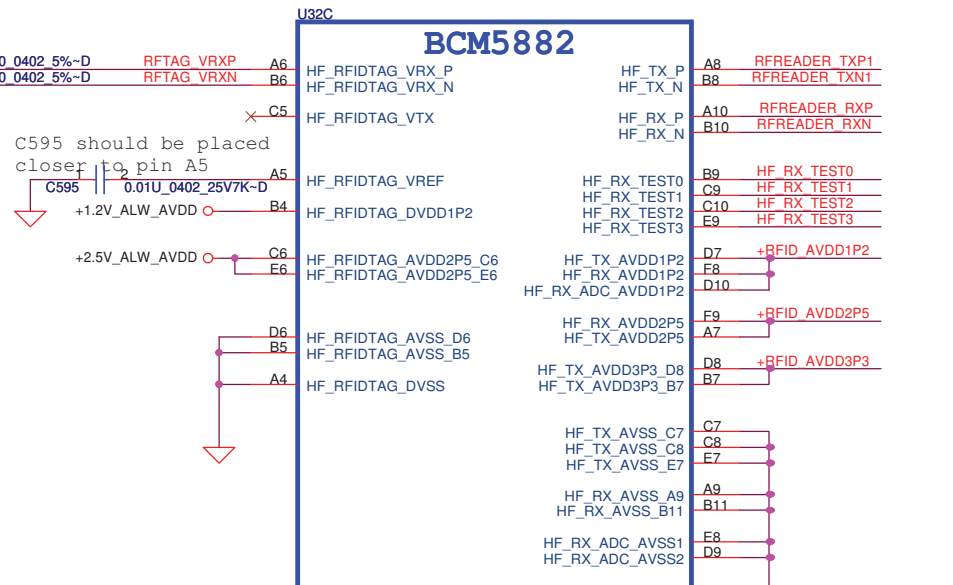
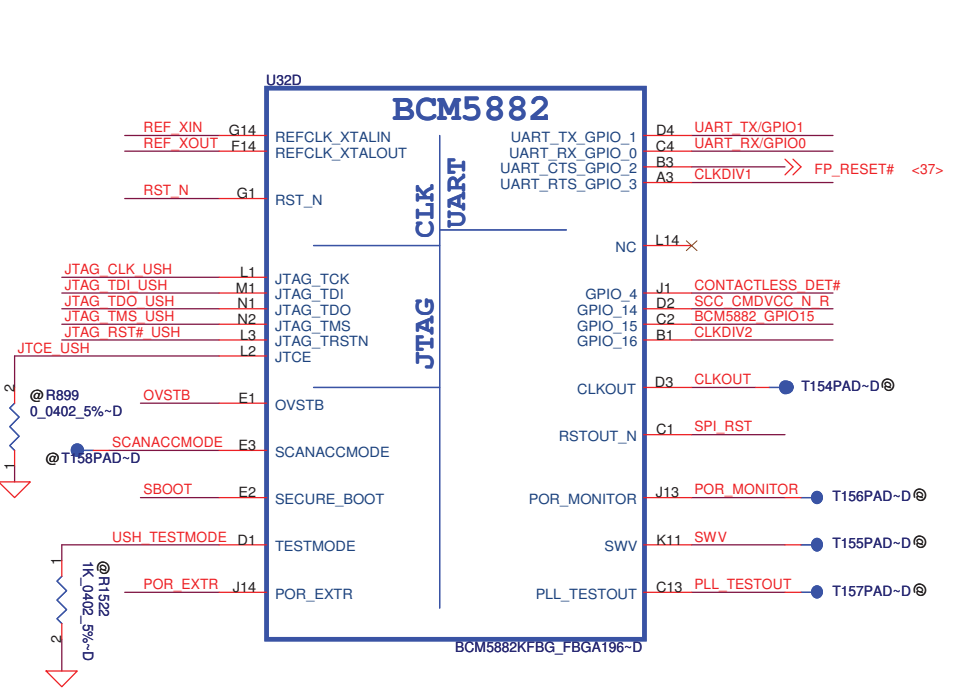
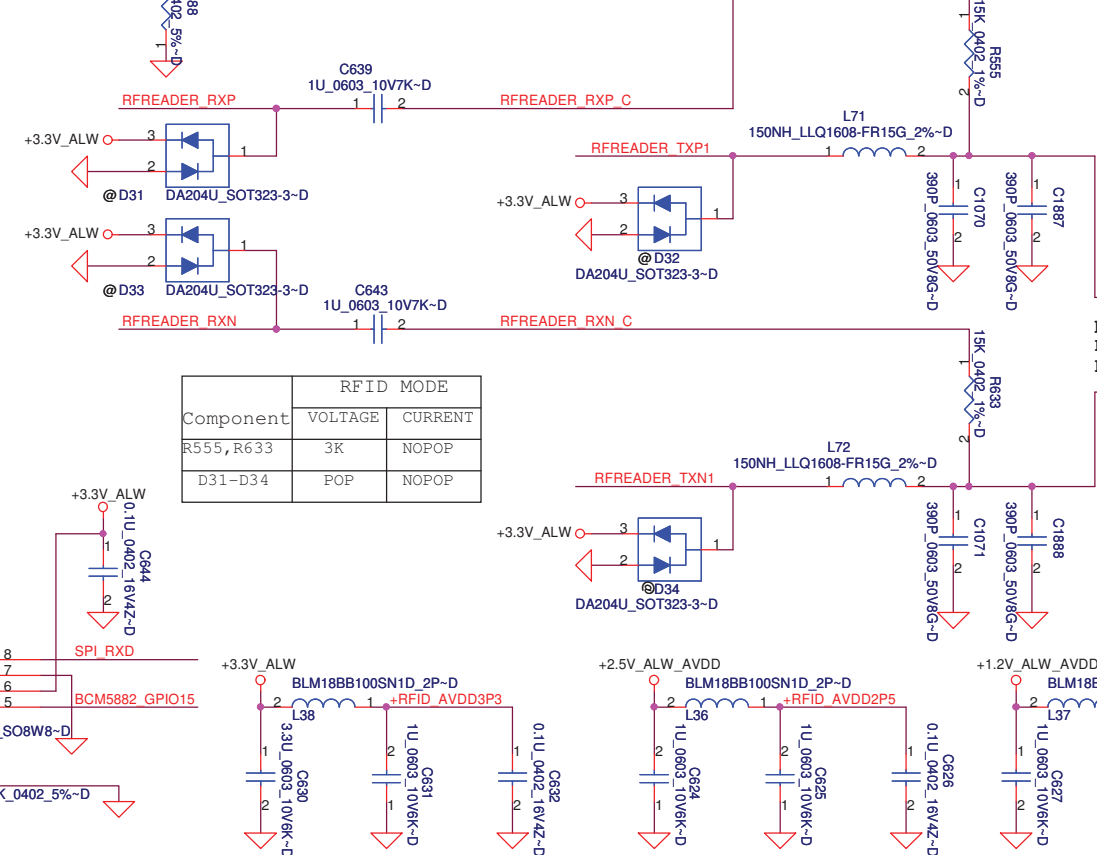
LA-5471P



Smart Card



Component	RFID MODE	
	VOLTAGE	CURRENT
R555, R633	3K	NOPOP
D31-D34	POP	NOPOP



RFID

placement close to U32 pins: RFREADER_TXN1 & RFREADER_TXP1, and ESD diodes should be placed between Pi filter and connector.

<15,19> CONTACTLESS_DET# <<

connector list: 2041084-6

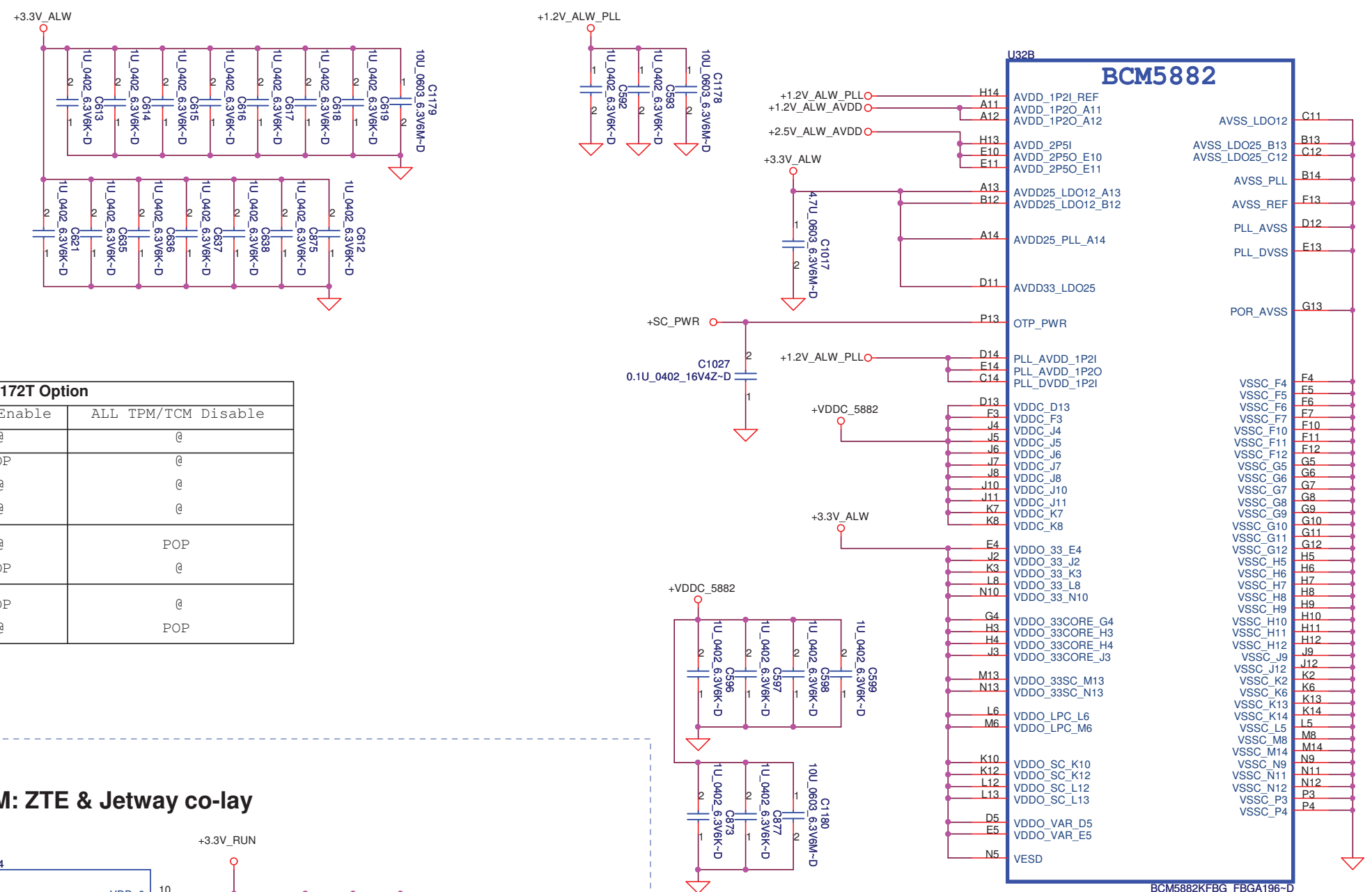
Hardware enable for USH TPM: Populate D70 & R841, No Stuff R483.
Hardware disable for USH TPM: No Stuff D70 & R841, Populate R483

DELL CONFIDENTIAL/PROPRIETARY

Compal Electronics, Inc.

USH BCM5882 (1/2)

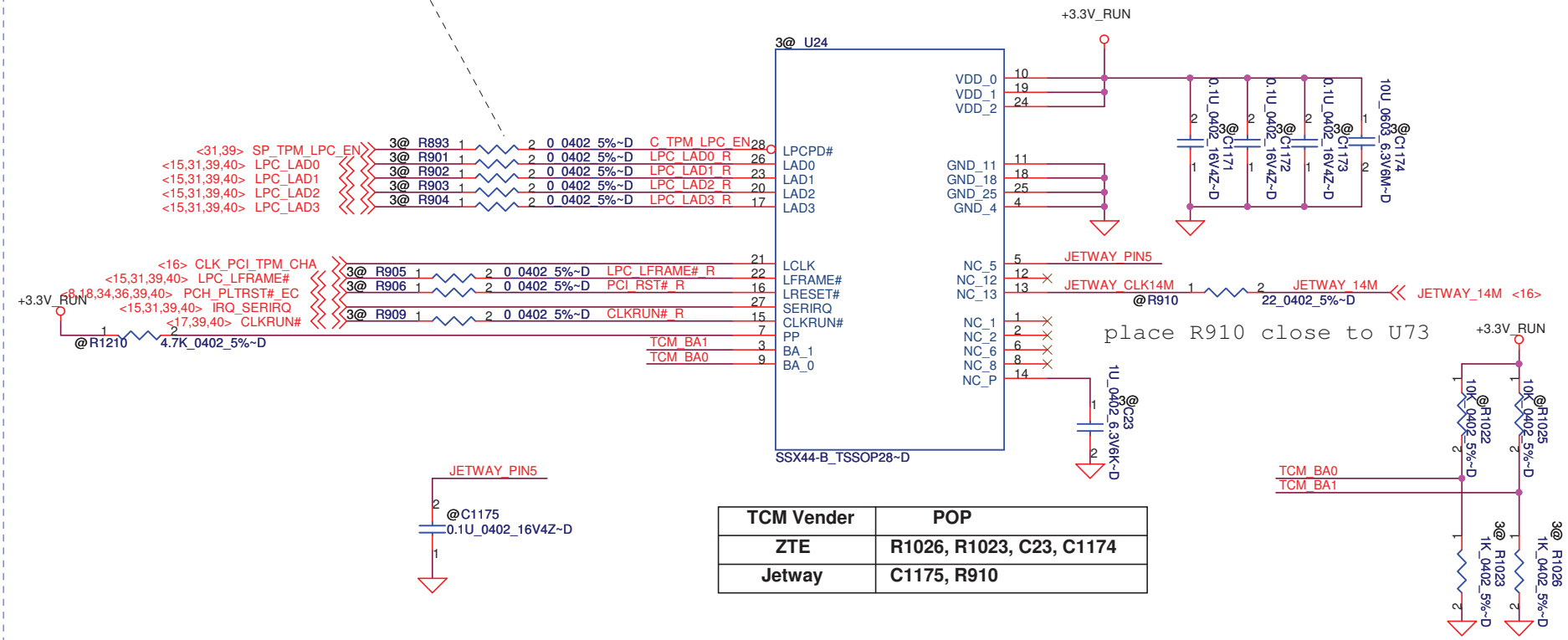
Title	Document Number		Rev 1.0
Size	LA-5471P		
Date: Wednesday, January 20, 2010	Sheet	31	of 57



USH BCM5882 and China TPM Z8H172T Option				
PART/PIN	Ref Des	TCM Enable	TPM Enable	ALL TPM/TCM Disable
TCM circuit	All 3@	POP	@	@
SIO 5028 ->SP_TPM_LPC_EN	PU R841	@	POP	@
	PD R483	POP	@	@
	PU R788	@	@	@
PCH GPIO39 ->TPM_ID1	PU R787	@	@	POP
	PD R339	POP	POP	@
PCH GPIO38 ->TPM_ID0	PU R273	POP	POP	@
	PD R922	@	@	POP

LOW:Power Down Mode
High:Working Mode

China TPM: ZTE & Jetway co-lay



DELL CONFIDENTIAL/PROPRIETARY

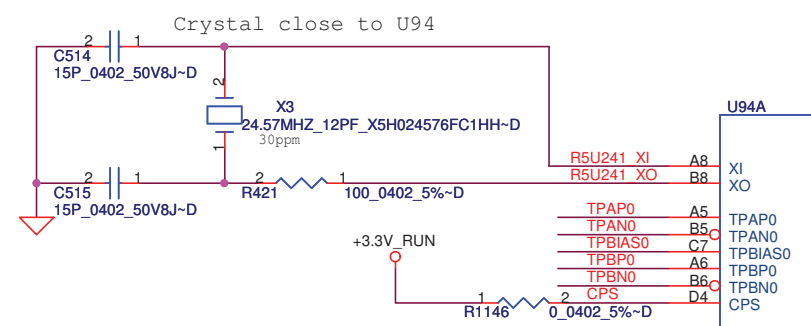
Compal Electronics, Inc.

Title: USH BCM5882 (2/2)

Size: Document Number LA-5471P

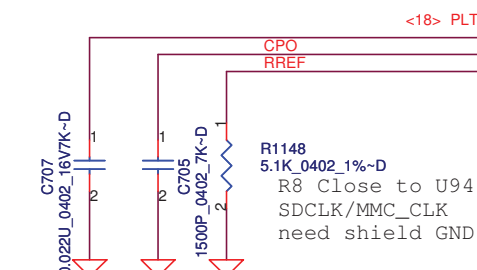
Date: Wednesday, January 20, 2010 Sheet 32 of 57

PROPRIETARY NOTE: THIS SHEET OF ENGINEERING DRAWING AND SPECIFICATIONS CONTAINS CONFIDENTIAL TRADE SECRET AND OTHER PROPRIETARY INFORMATION OF DELL INC. ("DELL") THIS DOCUMENT MAY NOT BE TRANSFERRED OR COPIED WITHOUT THE EXPRESS WRITTEN AUTHORIZATION OF DELL. IN ADDITION, NEITHER THIS SHEET NOR THE INFORMATION IT CONTAINS MAY BE USED BY OR DISCLOSED TO ANY THIRD PARTY WITHOUT DELL'S EXPRESS WRITTEN CONSENT.

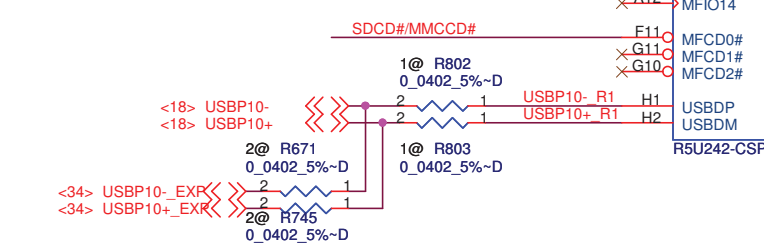
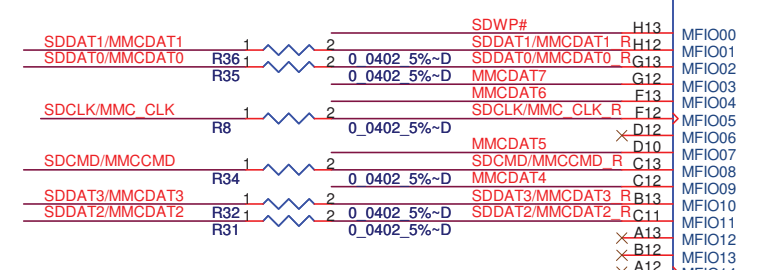


C710, C713 as close as possible to U94

<16> CLK_PCIE_PCM
<16> CLK_PCIE_PCM#
<16> PCIE_PRX_PCMTX_P3
<16> PCIE_PRX_PCMTX_N3
<16> PCIE_PTX_PCMTX_P3_C
<16> PCIE_PTX_PCMTX_N3_C

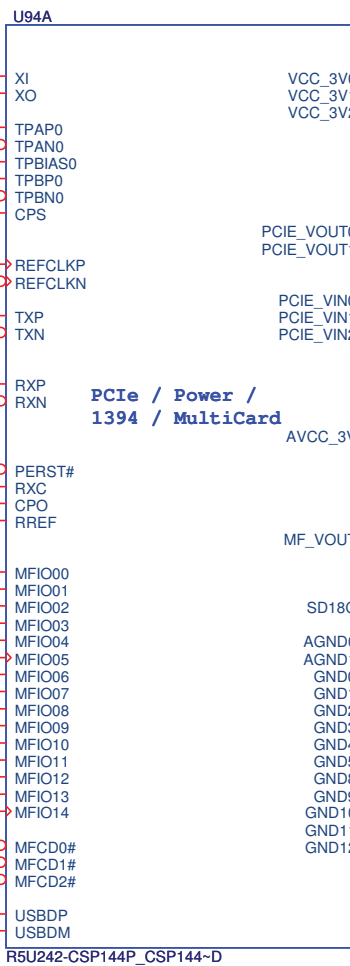


C707, C705, R1148 as close as possible to U94

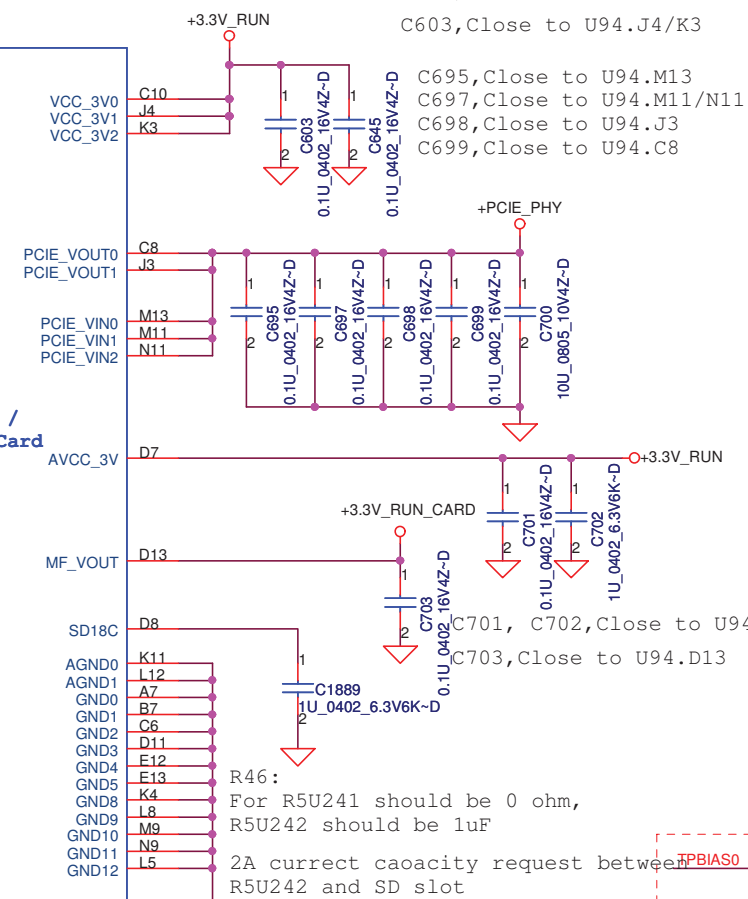


MFIO Pin Assignment Table

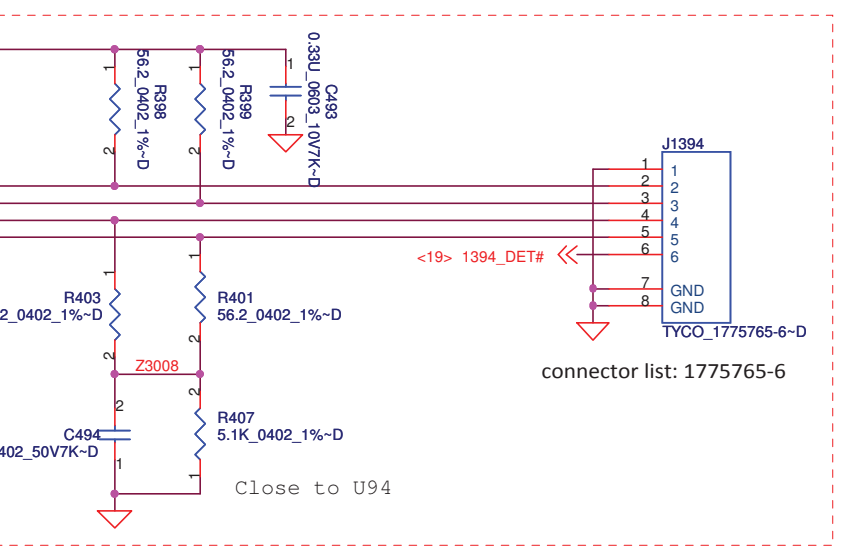
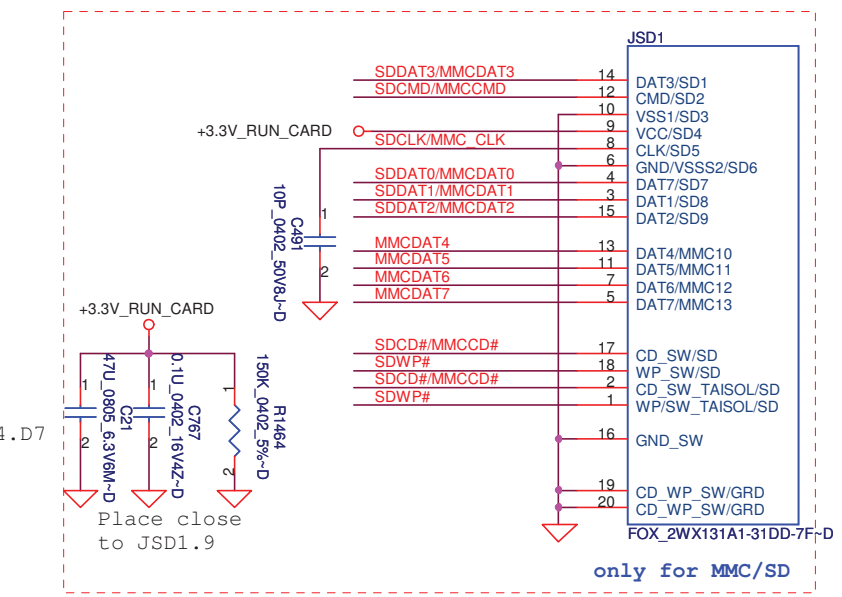
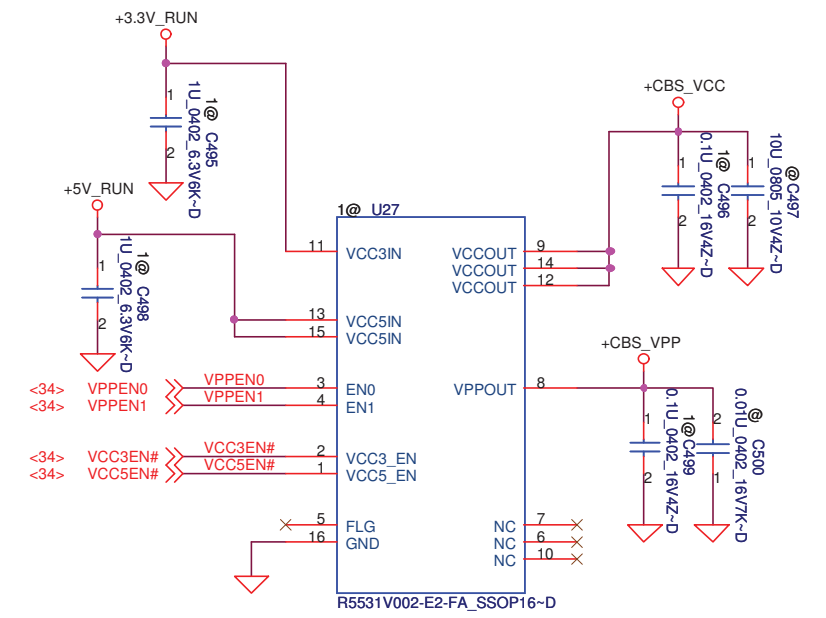
MFIO	SD8	XD	MS8
00	WP	D7	BS
01	D1	D6	-
02	D0	D5	D1
03	D7	D4	-
04	D6	D3	D5
05	CLK	D2	D0
06	-	D1	-
07	D5	D0	D4
08	CMD	WP#	D2
09	D4	WE#	D6
10	D3	ALE	D3
11	D2	CLE	-
12	-	CE#	-
13	-	RE#	D7
14	-	R/B#	CLK



PCIe / Power / 1394 / MultiCard



R46:
For R5U241 should be 0 ohm,
R5U242 should be 1uF
2A current capacity request between R5U242 and SD slot



DELL CONFIDENTIAL/PROPRIETARY

Compal Electronics, Inc.

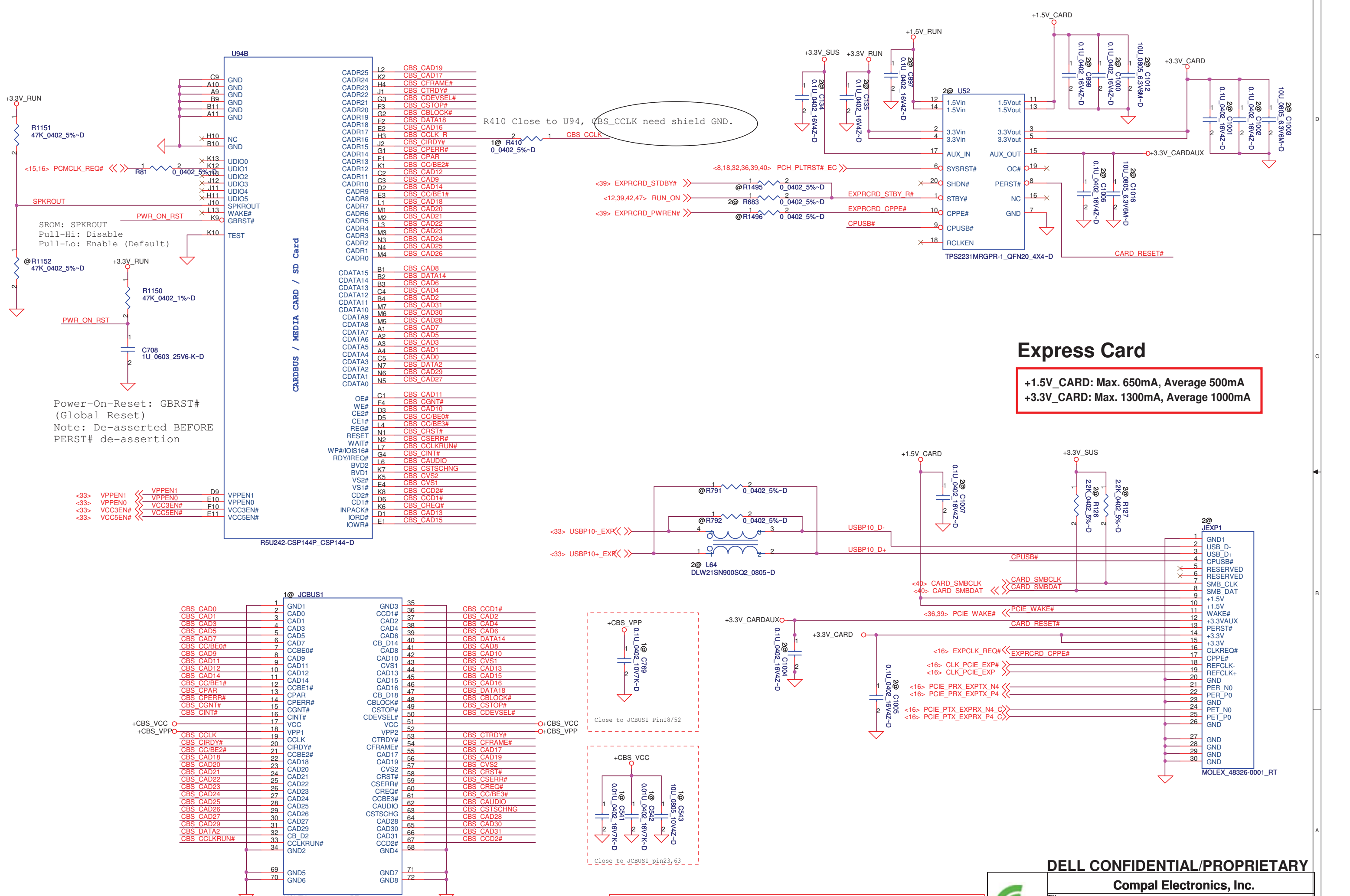
Title: R5U241 (1/2)

Size: Document Number: LA-5471P

Date: Wednesday, January 20, 2010

Sheet 33 of 57

PROPRIETARY NOTE: THIS SHEET OF ENGINEERING DRAWING AND SPECIFICATIONS CONTAINS CONFIDENTIAL TRADE SECRET AND OTHER PROPRIETARY INFORMATION OF DELL INC. ("DELL") THIS DOCUMENT MAY NOT BE TRANSFERRED OR COPIED WITHOUT THE EXPRESS WRITTEN AUTHORIZATION OF DELL. IN ADDITION, NEITHER THIS SHEET NOR THE INFORMATION IT CONTAINS MAY BE USED BY OR DISCLOSED TO ANY THIRD PARTY WITHOUT DELL'S EXPRESS WRITTEN CONSENT.



Express Card

+1.5V_CARD: Max. 650mA, Average 500mA
+3.3V_CARD: Max. 1300mA, Average 1000mA

Power-On-Reset: GBRST#
 (Global Reset)
 Note: De-asserted BEFORE PERST# de-assertion

DELL CONFIDENTIAL/PROPRIETARY

Compal Electronics, Inc.

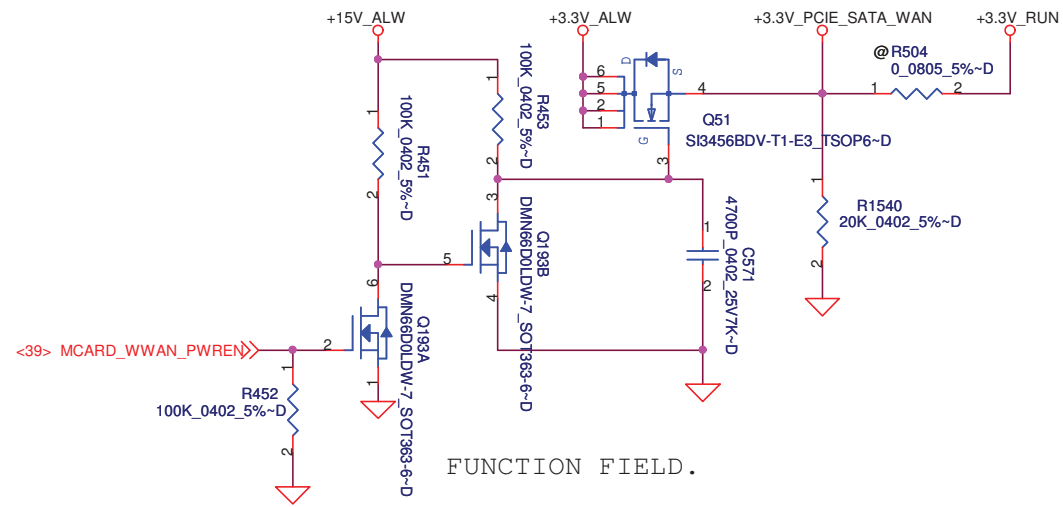
Title: R5U241 (2/2)

Size: Document Number: LA-5471P

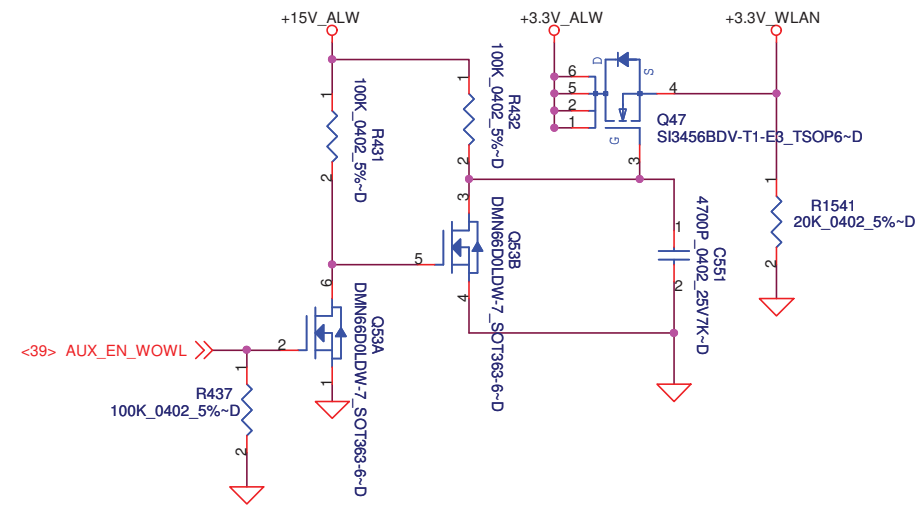
Date: Wednesday, January 20, 2010 Sheet 34 of 57

PROPRIETARY NOTE: THIS SHEET OF ENGINEERING DRAWING AND SPECIFICATIONS CONTAINS CONFIDENTIAL TRADE SECRET AND OTHER PROPRIETARY INFORMATION OF DELL INC. ("DELL"). THIS DOCUMENT MAY NOT BE TRANSFERRED OR COPIED WITHOUT THE EXPRESS WRITTEN AUTHORIZATION OF DELL. IN ADDITION, NEITHER THIS SHEET NOR THE INFORMATION IT CONTAINS MAY BE USED BY OR DISCLOSED TO ANY THIRD PARTY WITHOUT DELL'S EXPRESS WRITTEN CONSENT.

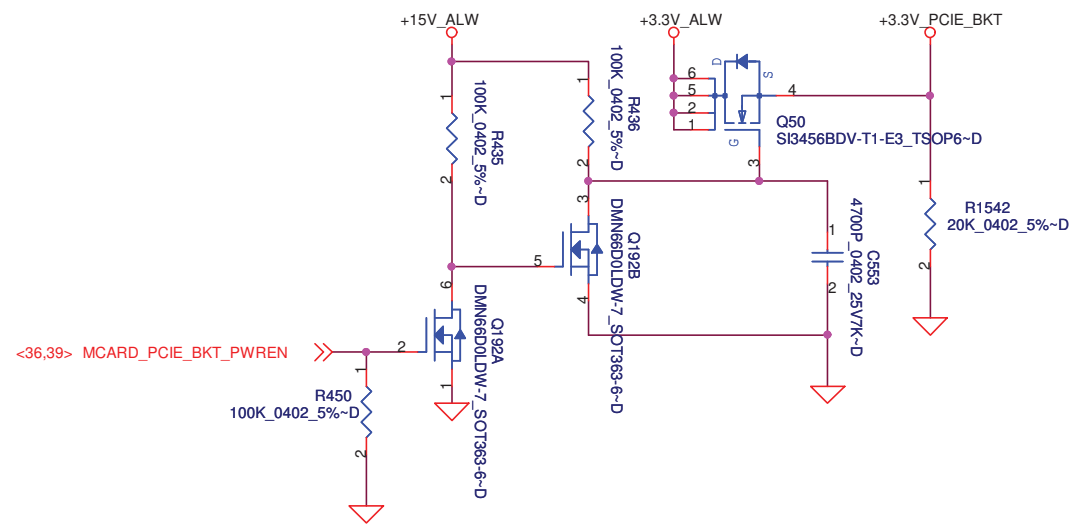
Mini WWAN



Mini WLAN



PCIE/BKT Card



DELL CONFIDENTIAL/PROPRIETARY

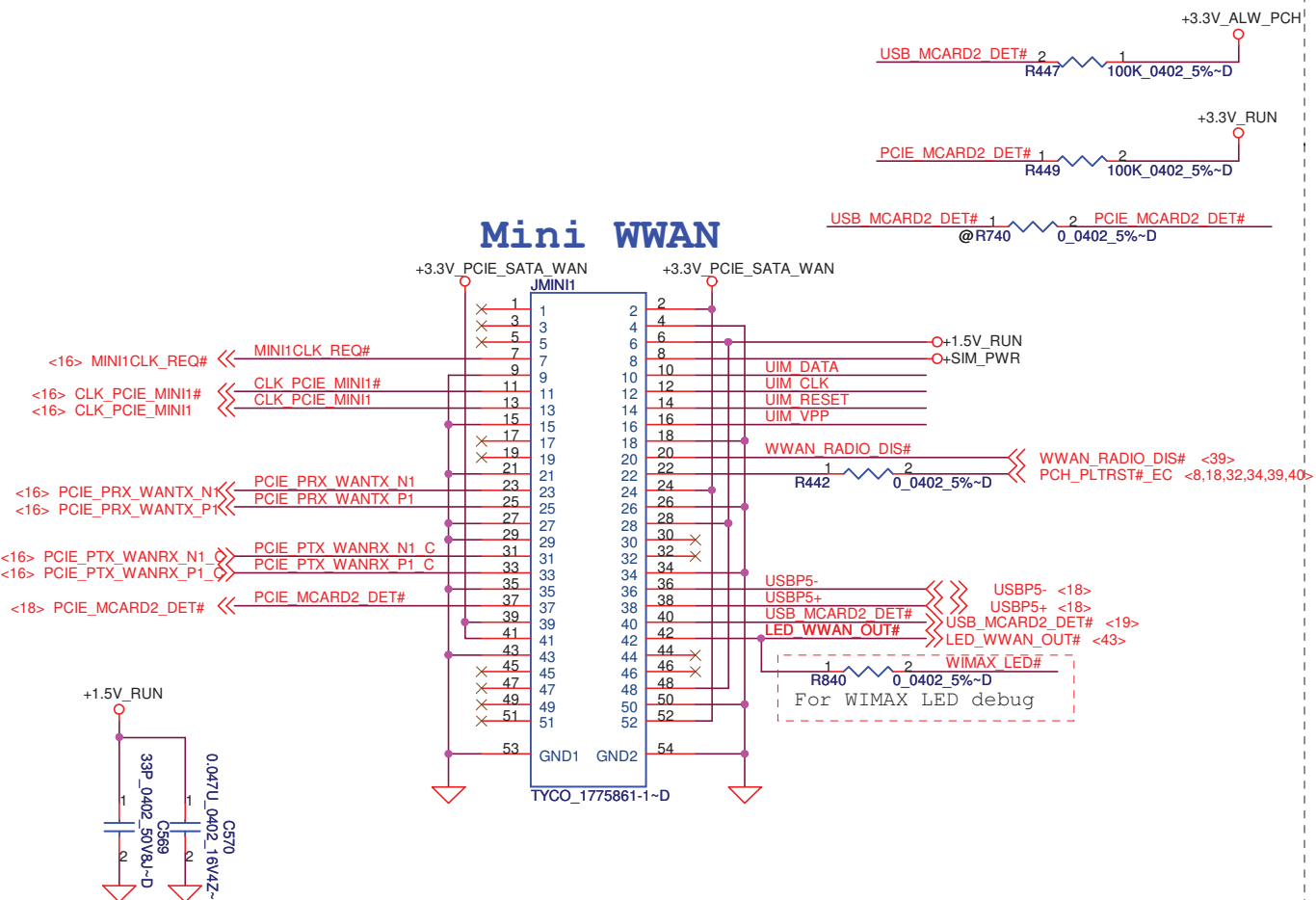
Compal Electronics, Inc.

Title		
PCIE PWR		
Size	Document Number	Rev
	LA-5471P	1.0
Date:	Wednesday, January 20, 2010	Sheet 35 of 57

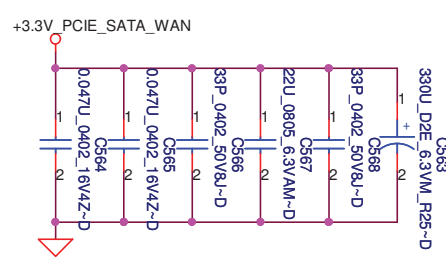
PROPRIETARY NOTE: THIS SHEET OF ENGINEERING DRAWING AND SPECIFICATIONS CONTAINS CONFIDENTIAL TRADE SECRET AND OTHER PROPRIETARY INFORMATION OF DELL INC. ("DELL") THIS DOCUMENT MAY NOT BE TRANSFERRED OR COPIED WITHOUT THE EXPRESS WRITTEN AUTHORIZATION OF DELL. IN ADDITION, NEITHER THIS SHEET NOR THE INFORMATION IT CONTAINS WAY BE USED BY OR DISCLOSED TO ANY THIRD PARTY WITHOUT DELL'S EXPRESS WRITTEN CONSENT.



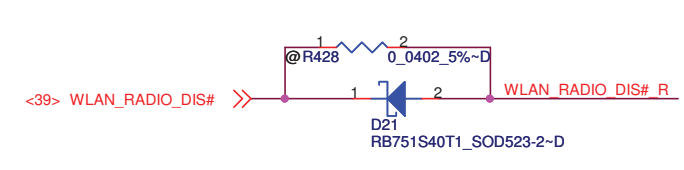
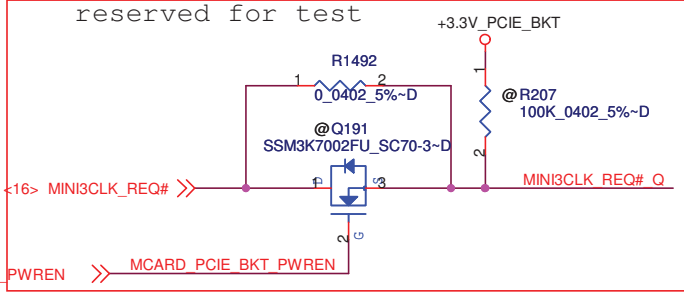
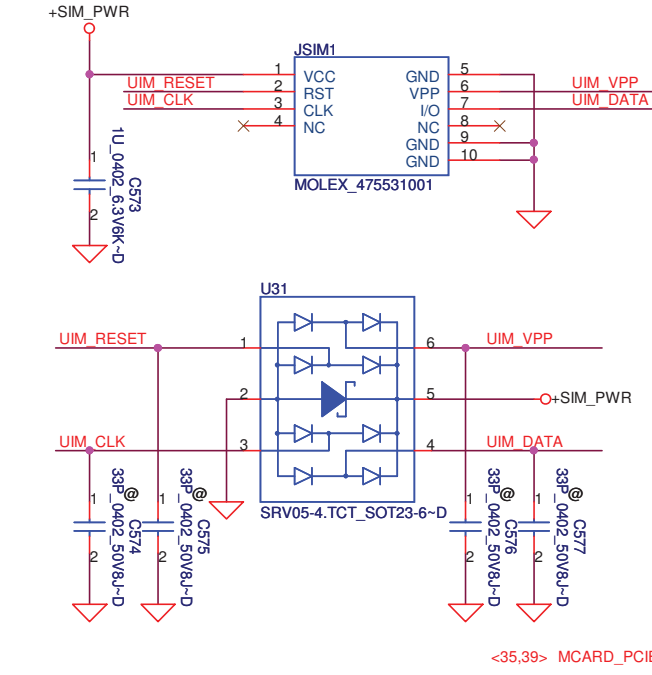
Mini WWAN



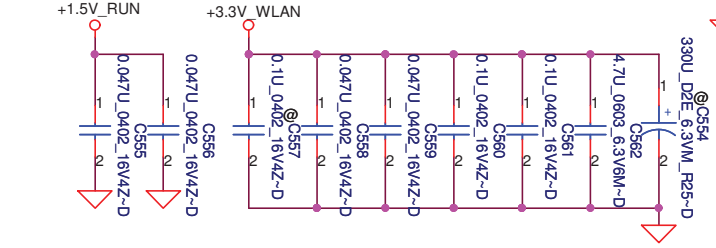
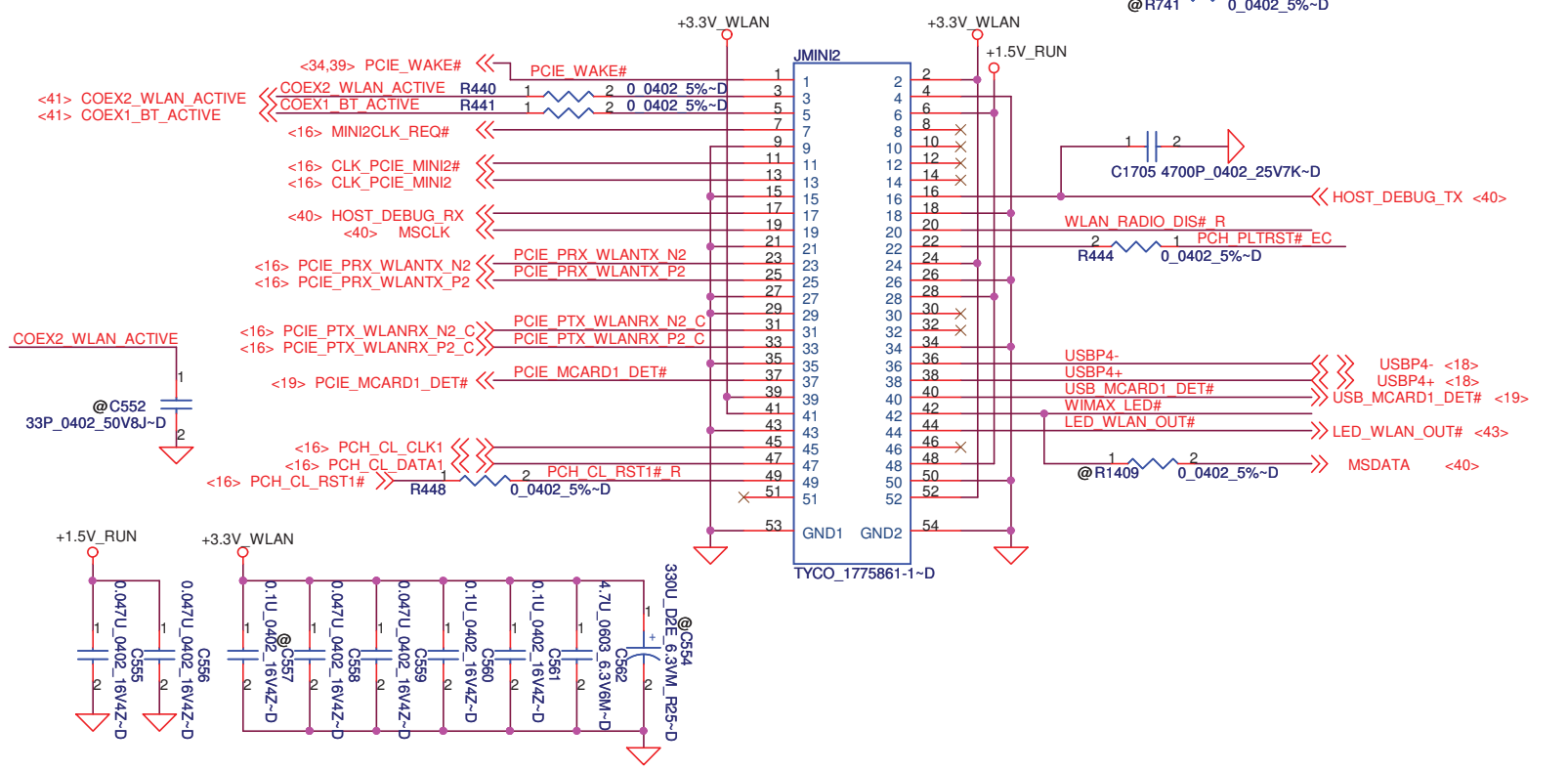
PWR Rail	Voltage Tolerance	Primary Power		Aux Power
		Peak	Normal	Normal
+3.3V	+/-9%	1000	750	
+3.3V_PCIE_SATA_WAN	+/-9%	330	250	250 (Wake enable) 5 (Not wake enable)
+1.5V	+/-5%	500	375	NA



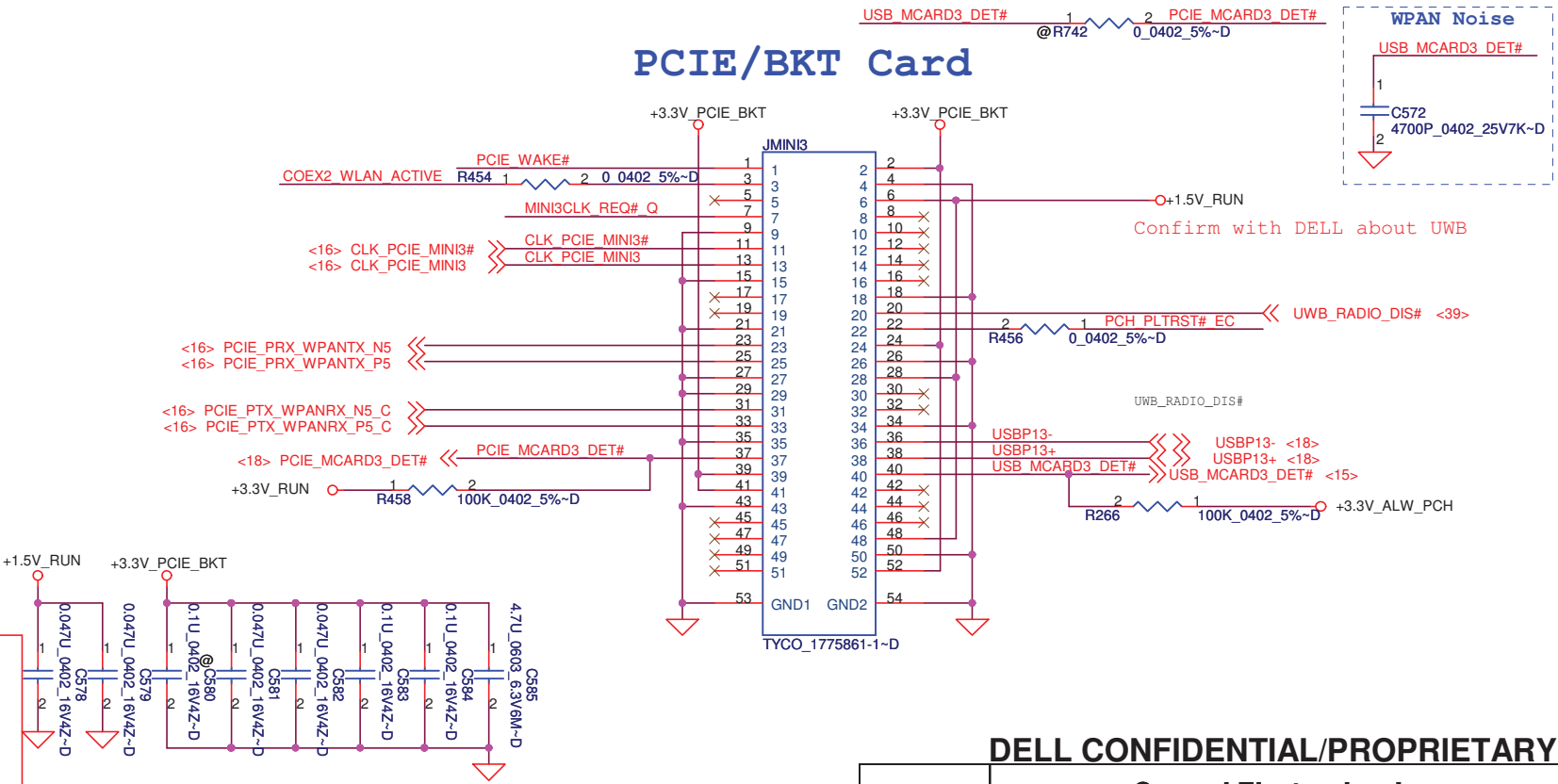
SIM Card



Mini WLAN



PCIE/BKT Card



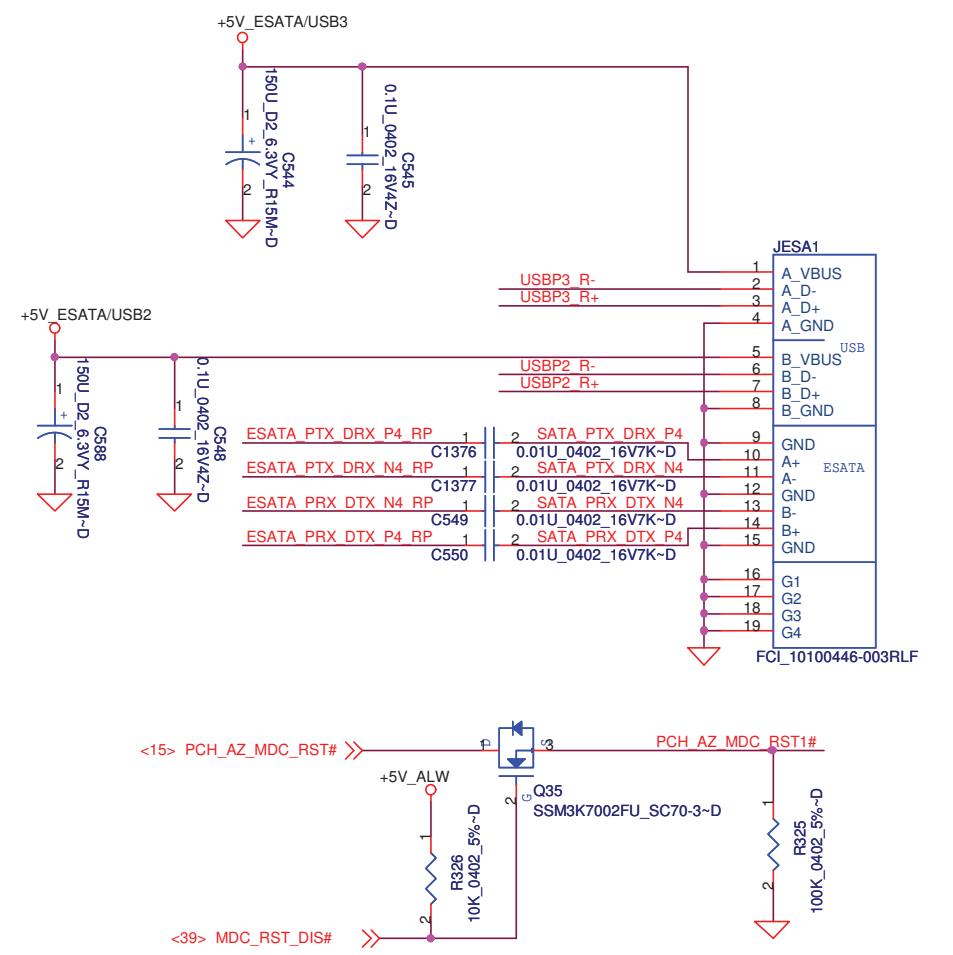
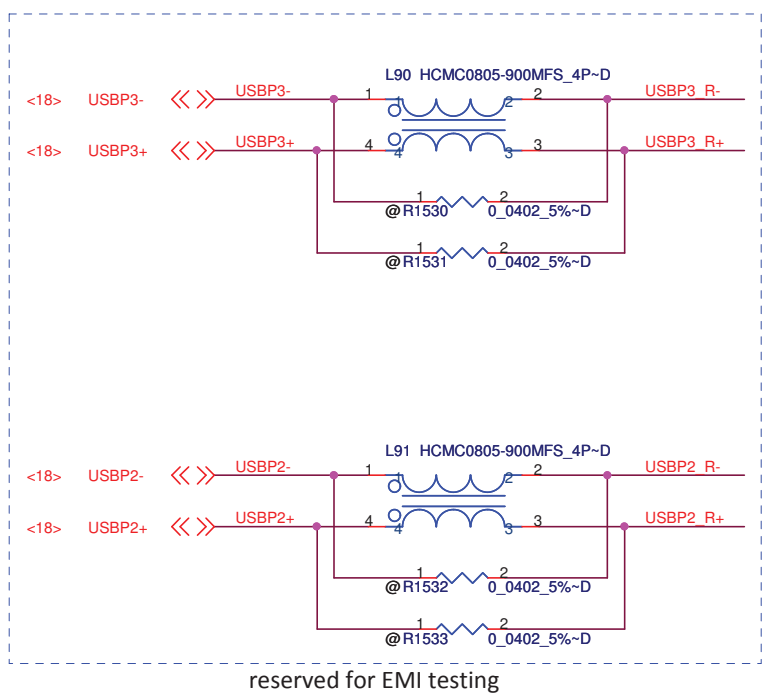
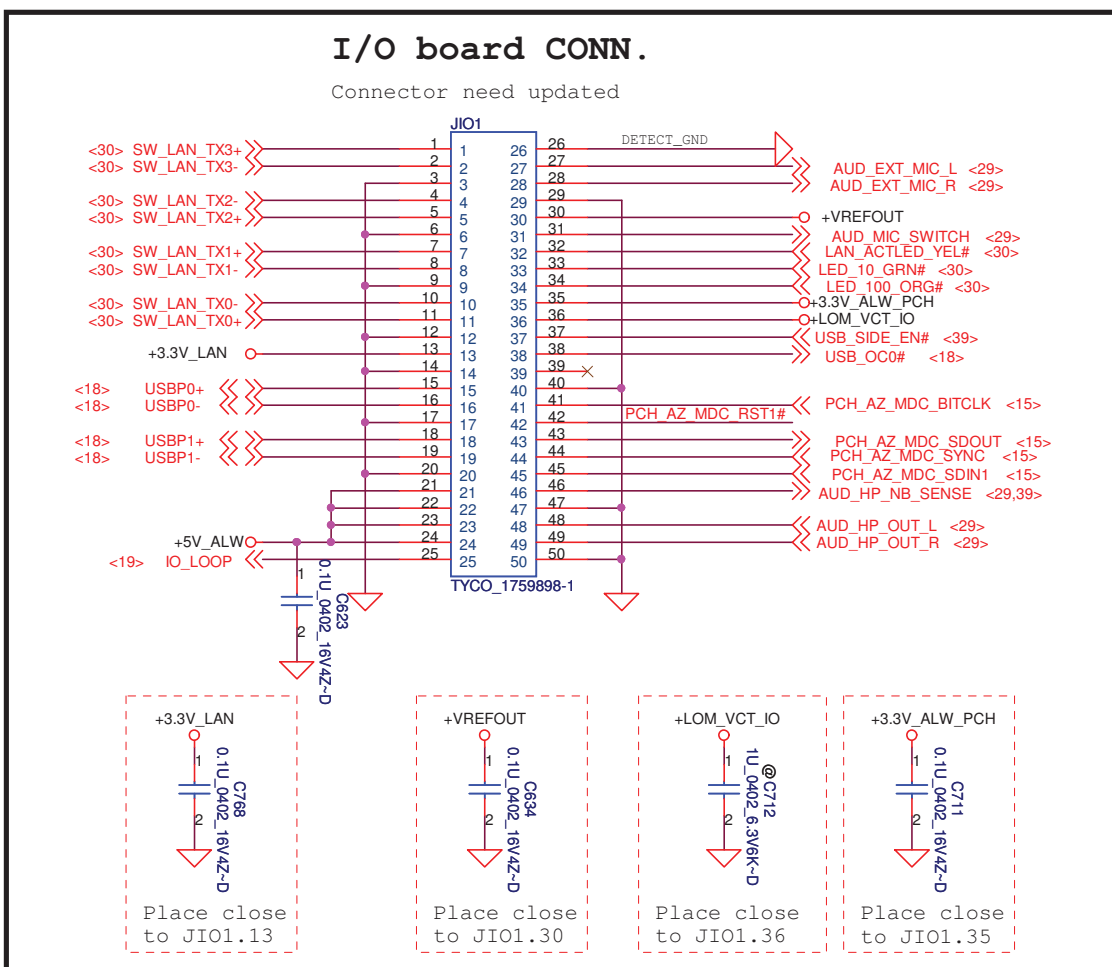
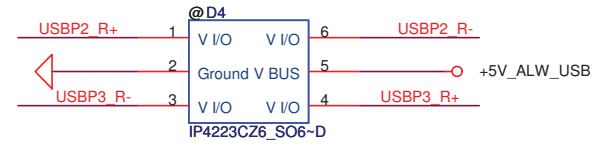
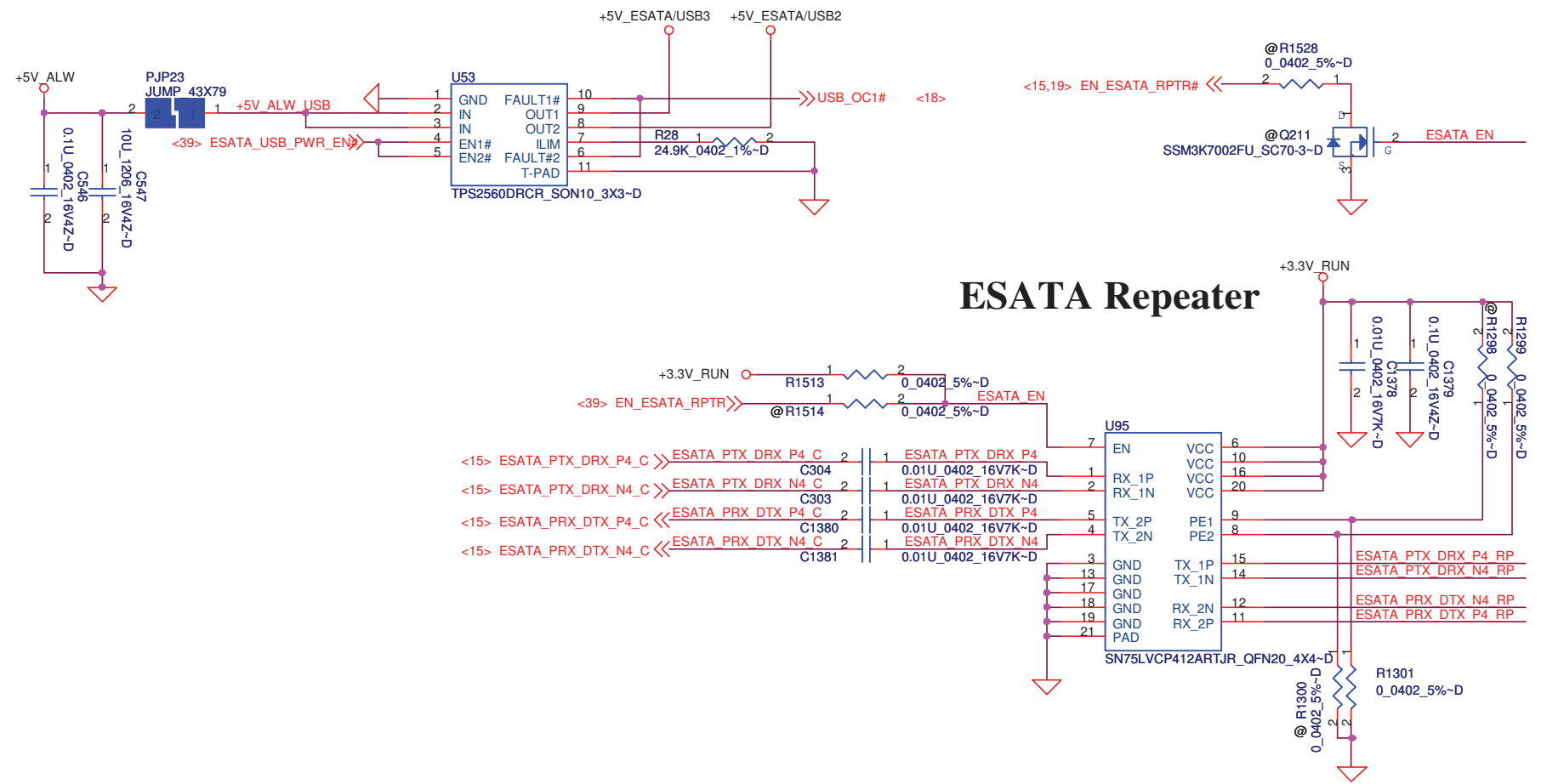
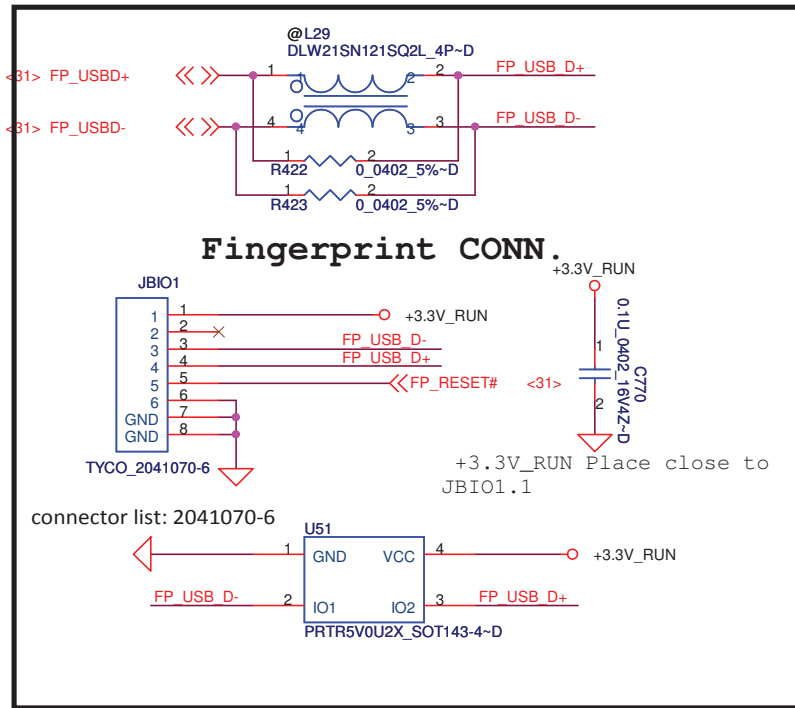
PROPRIETARY NOTE: THIS SHEET OF ENGINEERING DRAWING AND SPECIFICATIONS CONTAINS CONFIDENTIAL TRADE SECRET AND OTHER PROPRIETARY INFORMATION OF DELL INC. ("DELL") THIS DOCUMENT MAY NOT BE TRANSFERRED OR COPIED WITHOUT THE EXPRESS WRITTEN AUTHORIZATION OF DELL. IN ADDITION, NEITHER THIS SHEET NOR THE INFORMATION IT CONTAINS MAY BE USED BY OR DISCLOSED TO ANY THIRD PARTY WITHOUT DELL'S EXPRESS WRITTEN CONSENT.

DELL CONFIDENTIAL/PROPRIETARY

Compal Electronics, Inc.

Mini Card

Title	Mini Card		Rev	1.0
Size	Document Number	LA-5471P		
Date	Wednesday, January 20, 2010	Sheet	36	of 57



PROPRIETARY NOTE: THIS SHEET OF ENGINEERING DRAWING AND SPECIFICATIONS CONTAINS CONFIDENTIAL TRADE SECRET AND OTHER PROPRIETARY INFORMATION OF DELL INC. ("DELL") THIS DOCUMENT MAY NOT BE TRANSFERRED OR COPIED WITHOUT THE EXPRESS WRITTEN AUTHORIZATION OF DELL. IN ADDITION, NEITHER THIS SHEET NOR THE INFORMATION IT CONTAINS MAY BE USED BY OR DISCLOSED TO ANY THIRD PARTY WITHOUT DELL'S EXPRESS WRITTEN CONSENT.

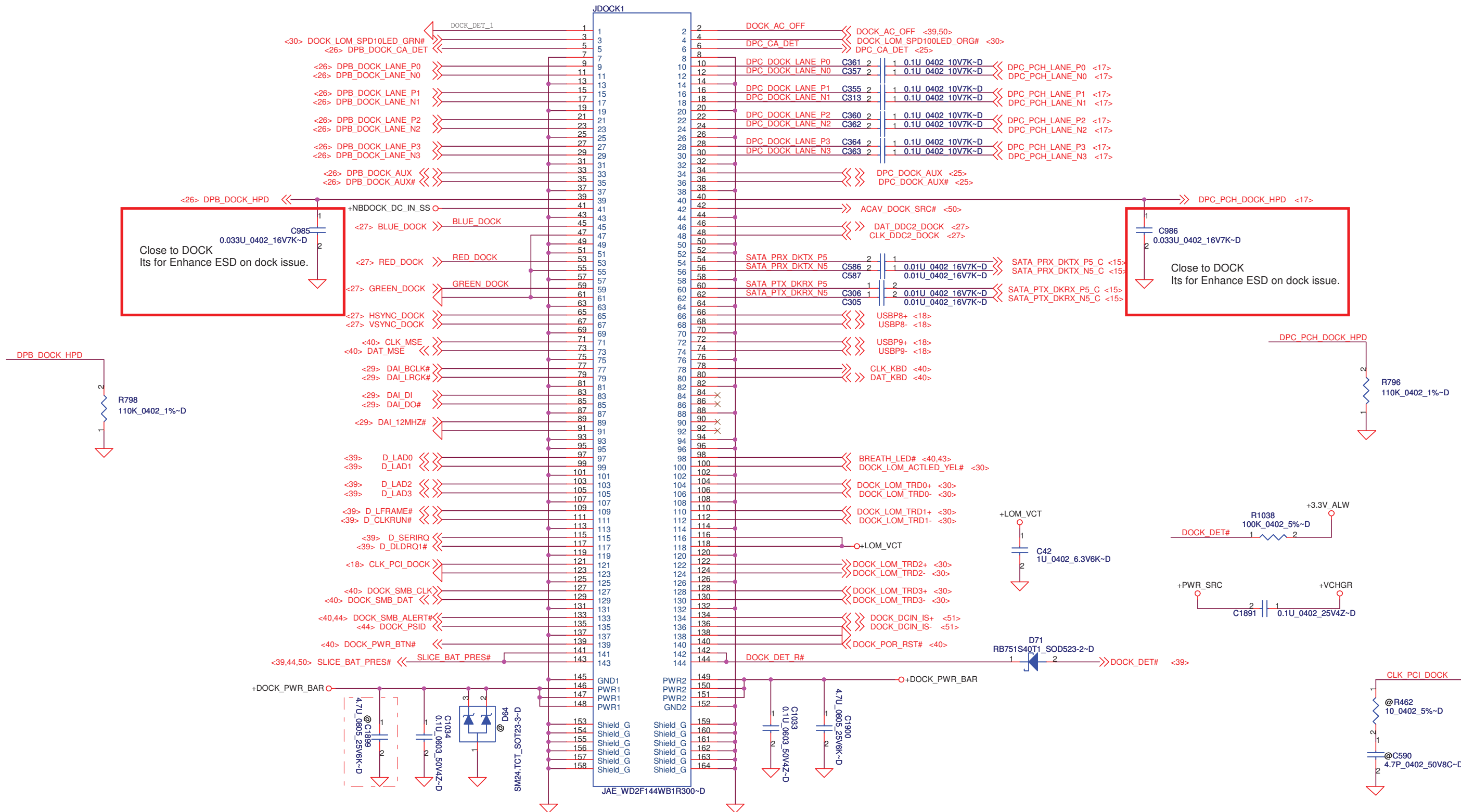
DELL CONFIDENTIAL/PROPRIETARY

Compal Electronics, Inc.

USB 2.0 PORT

LA-5471P

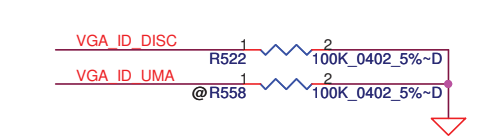
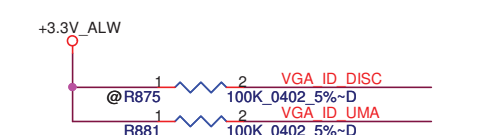
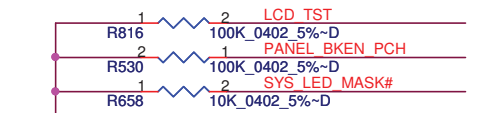
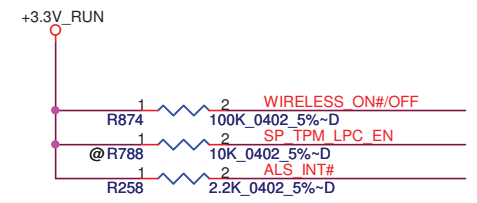
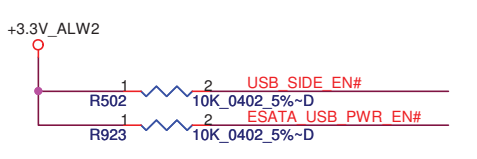
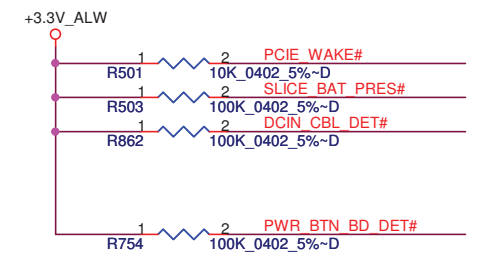
Date: Wednesday, January 20, 2010 Sheet 37 of 57



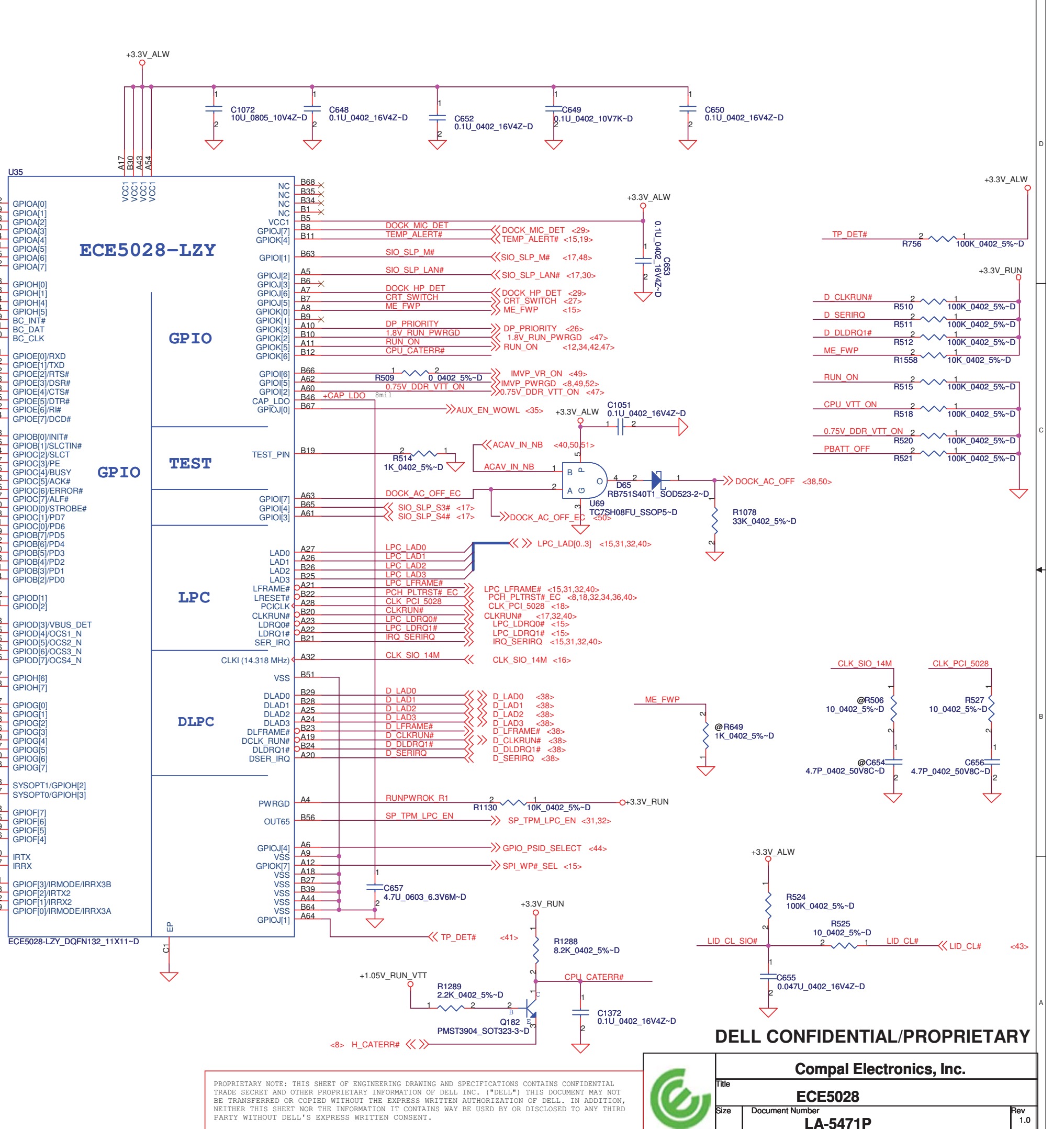
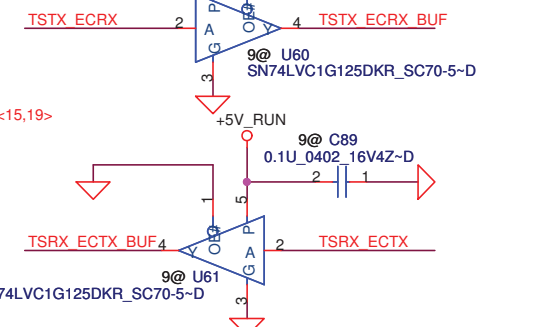
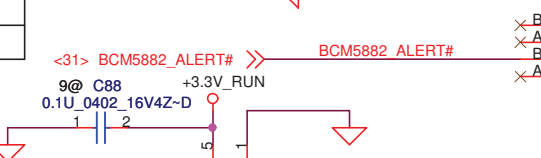
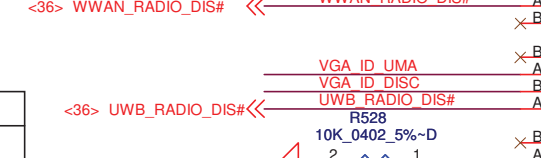
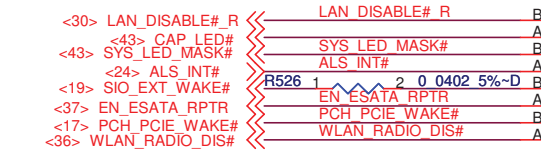
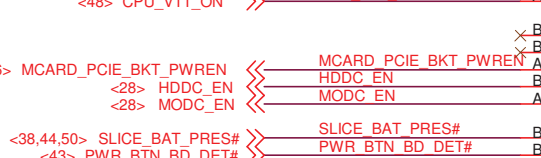
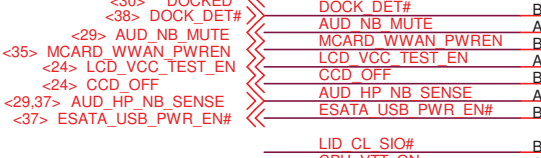
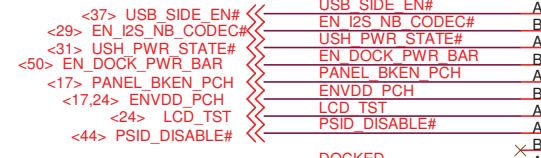
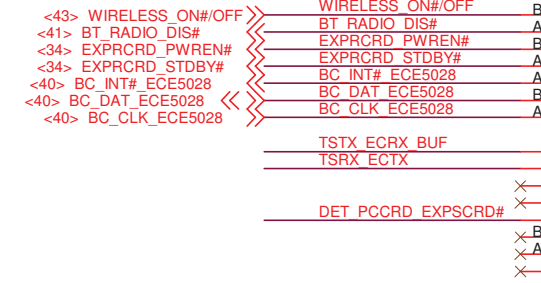
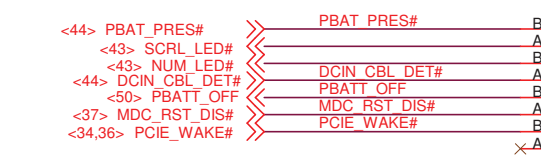
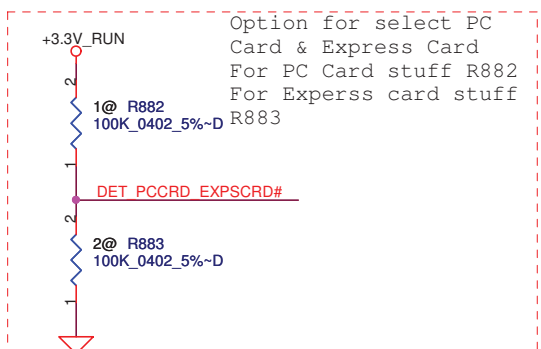
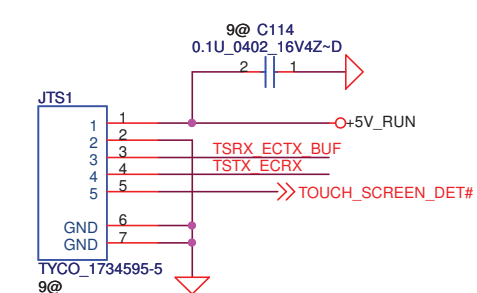
Reserve for EMI test

PROPRIETARY NOTE: THIS SHEET OF ENGINEERING DRAWING AND SPECIFICATIONS CONTAINS CONFIDENTIAL TRADE SECRET AND OTHER PROPRIETARY INFORMATION OF DELL INC. ("DELL") THIS DOCUMENT MAY NOT BE TRANSFERRED OR COPIED WITHOUT THE EXPRESS WRITTEN AUTHORIZATION OF DELL. IN ADDITION, NEITHER THIS SHEET NOR THE INFORMATION IT CONTAINS MAY BE USED BY OR DISCLOSED TO ANY THIRD PARTY WITHOUT DELL'S EXPRESS WRITTEN CONSENT.

Compal Electronics, Inc.			
DOCKING CONN		Rev 1.0	
LA-5471P	Document Number	Date: Wednesday, January 20, 2010	
Sheet 38		of 57	



	VGA_ID_UMA	VGA_ID_DISC
Discrete	0	1
UMA	1	0
SG	1	1



PROPRIETARY NOTE: THIS SHEET OF ENGINEERING DRAWING AND SPECIFICATIONS CONTAINS CONFIDENTIAL TRADE SECRET AND OTHER PROPRIETARY INFORMATION OF DELL INC. ("DELL") THIS DOCUMENT MAY NOT BE TRANSFERRED OR COPIED WITHOUT THE EXPRESS WRITTEN AUTHORIZATION OF DELL. IN ADDITION, NEITHER THIS SHEET NOR THE INFORMATION IT CONTAINS MAY BE USED BY OR DISCLOSED TO ANY THIRD PARTY WITHOUT DELL'S EXPRESS WRITTEN CONSENT.

DELL CONFIDENTIAL/PROPRIETARY

Compal Electronics, Inc.

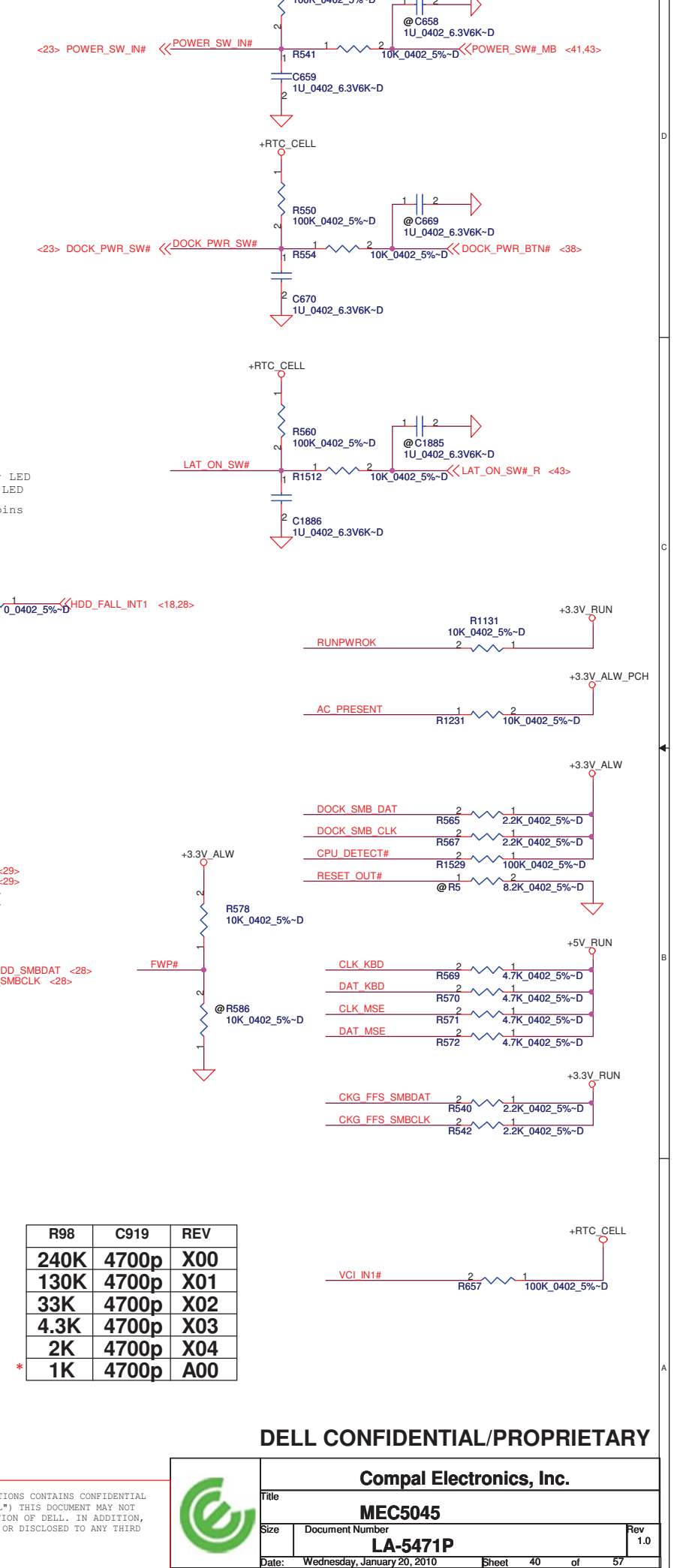
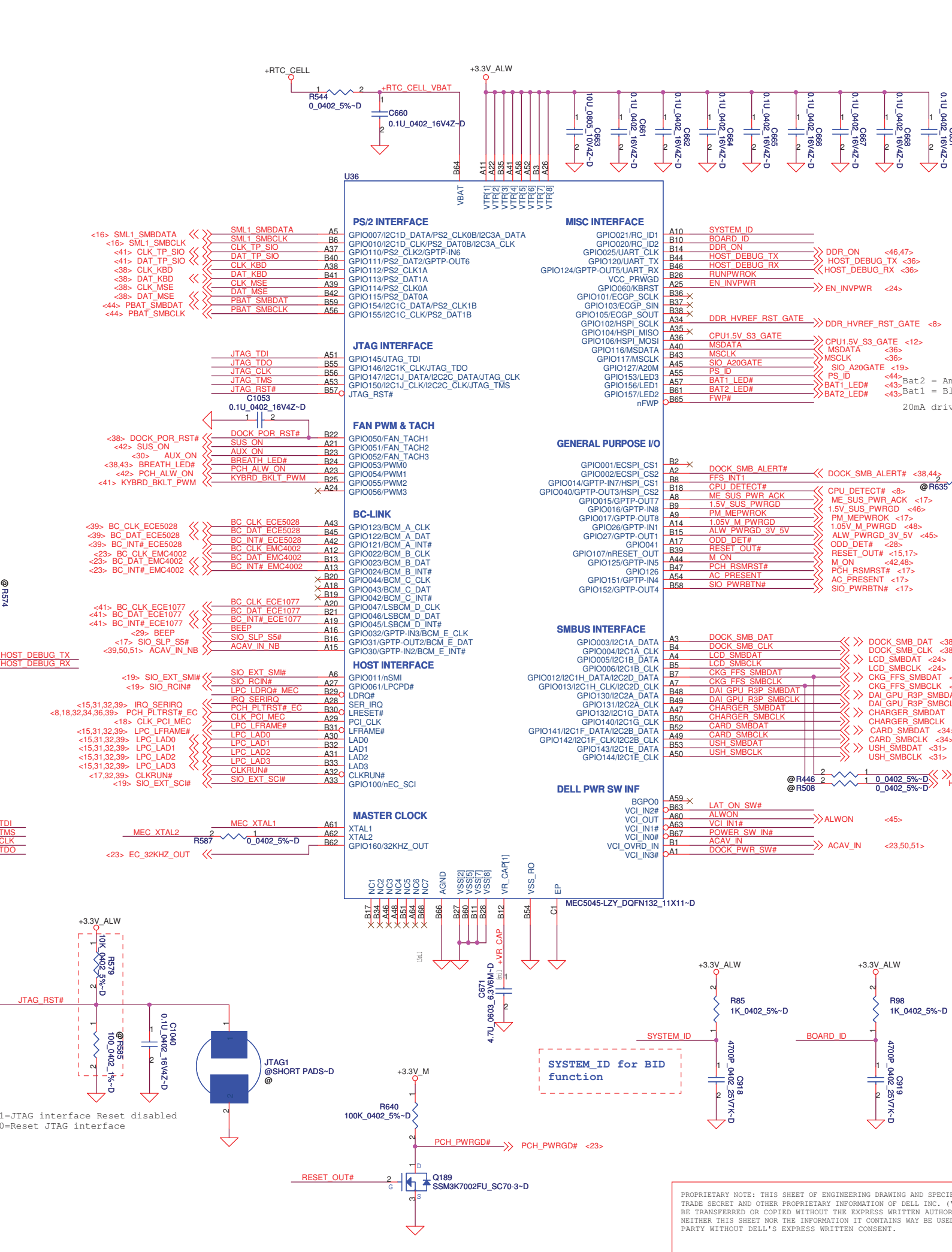
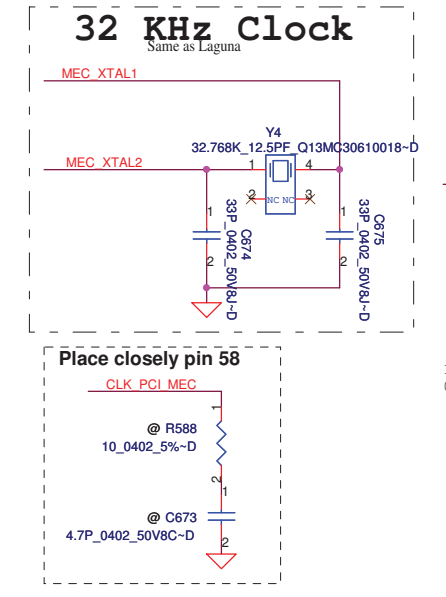
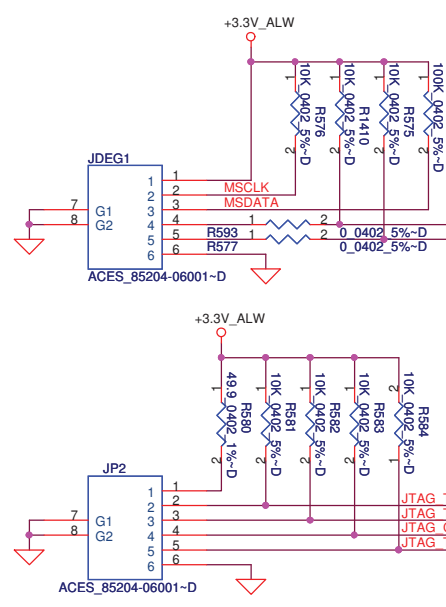
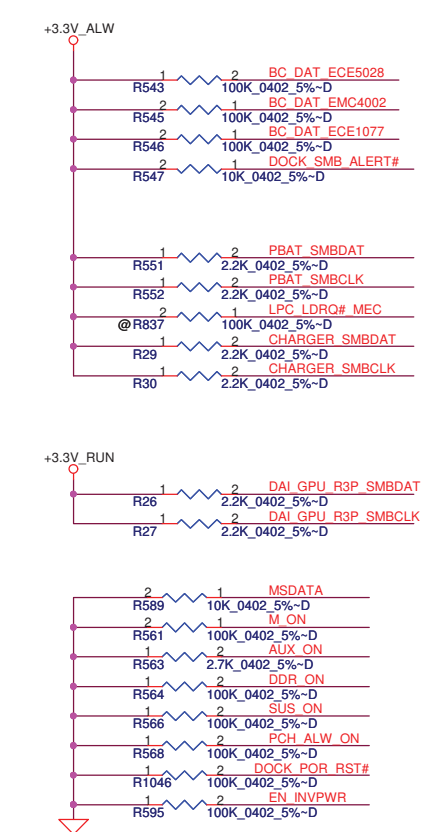
Title: **ECE5028**

Size: **LA-5471P**

Document Number: **LA-5471P**

Rev: **1.0**

Date: **Wednesday, January 20, 2010** Sheet **39** of **57**



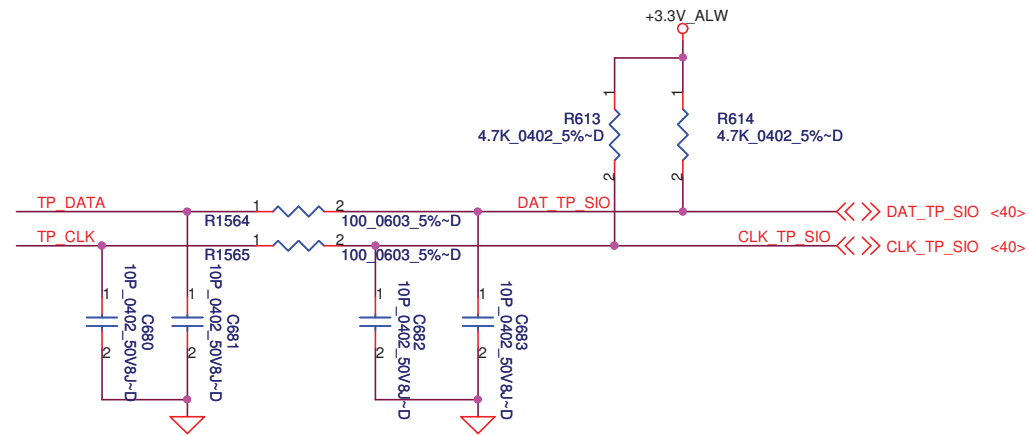
R98	C919	REV
240K	4700p	X00
130K	4700p	X01
33K	4700p	X02
4.3K	4700p	X03
2K	4700p	X04
1K	4700p	A00

DELL CONFIDENTIAL/PROPRIETARY

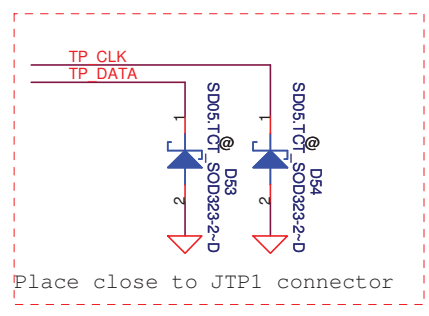
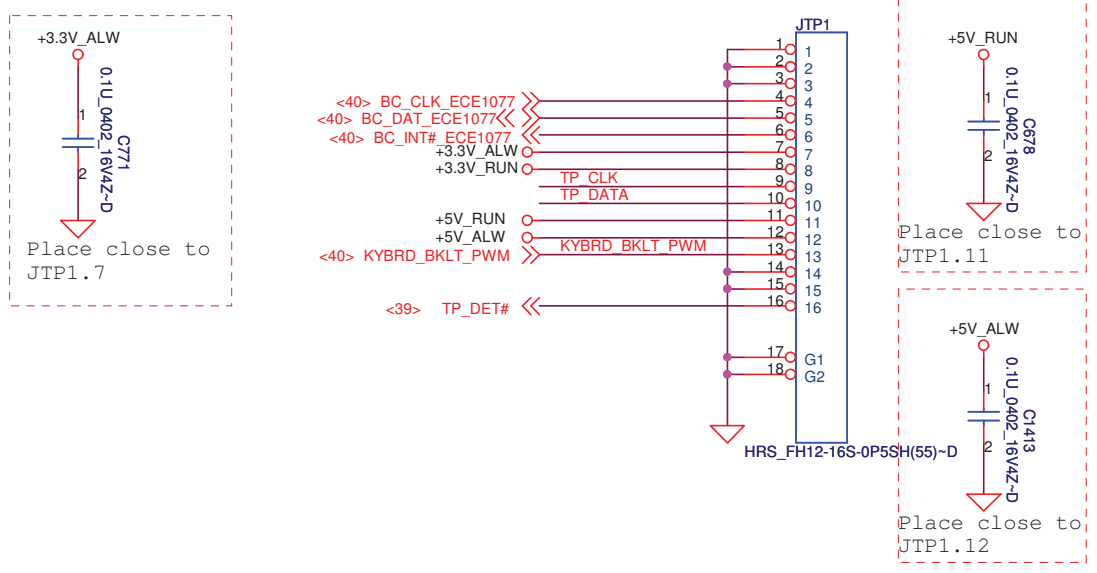
Compal Electronics, Inc.
MEC5045
 Size: Document Number: **LA-5471P** Rev: 1.0
 Date: Wednesday, January 20, 2010 Sheet 40 of 57

PROPRIETARY NOTE: THIS SHEET OF ENGINEERING DRAWING AND SPECIFICATIONS CONTAINS CONFIDENTIAL TRADE SECRET AND OTHER PROPRIETARY INFORMATION OF DELL INC. ("DELL") THIS DOCUMENT MAY NOT BE TRANSFERRED OR COPIED WITHOUT THE EXPRESS WRITTEN AUTHORIZATION OF DELL. IN ADDITION, NEITHER THIS SHEET NOR THE INFORMATION IT CONTAINS MAY BE USED BY OR DISCLOSED TO ANY THIRD PARTY WITHOUT DELL'S EXPRESS WRITTEN CONSENT.

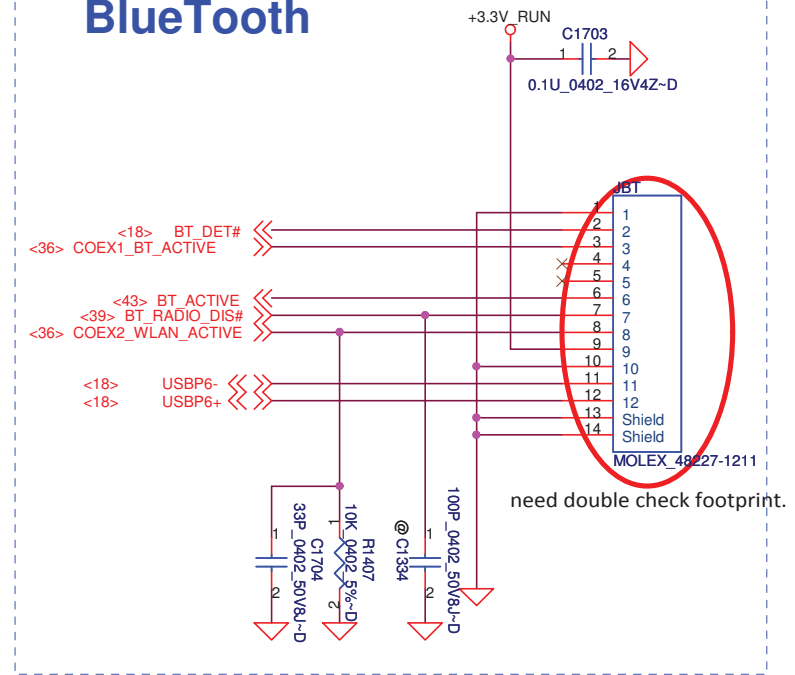
Touch Pad



Touch Pad Conn. Pitch=0.5

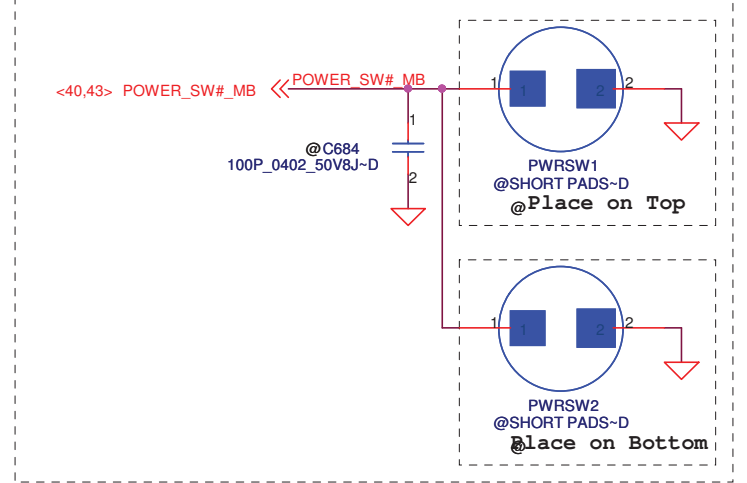


BlueTooth



@FAN	
Part Number	Description
DC28A000800	FAN SET DAQ20 DC5V AB7405HB-HB3 ADDA
@Speak	
Part Number	Description
PK230003Q0L	SPK PACK ZJX 2.0W 4 OHM FG
@SM CARD BODY	
Part Number	Description
SP070007V0L	S SOCKET TYCO 1770551-1 10P H5.9 SMART
@PCMCIA BODY	
Part Number	Description
DC000001Q0L	PCMCIA TYCO 1759096-1
@MDC wire set cable	
Part Number	Description
DC02000CS0L	H-CONN SET ZGX MB-MDC
@T/P wire set cable	
Part Number	Description
DC02000840L	H-CONN SET ZJX MB-B/T-TP-FP
@LVDS cable	
Part Number	Description
DC020003Y0L	H-CONN SET ZJX MB-LCD 14 WXGA+ (-1ch)
@LVDS cable	
Part Number	Description
DC02000870L	H-CONN SET ZJX MB-LCD 14 WXGA+ (-2ch)
@RTC BATT	
Part Number	Description
GC20323MX00	BATT CR2032 3V 220MAH MAXELL

Power Switch for debug



DELL CONFIDENTIAL/PROPRIETARY

Compal Electronics, Inc.

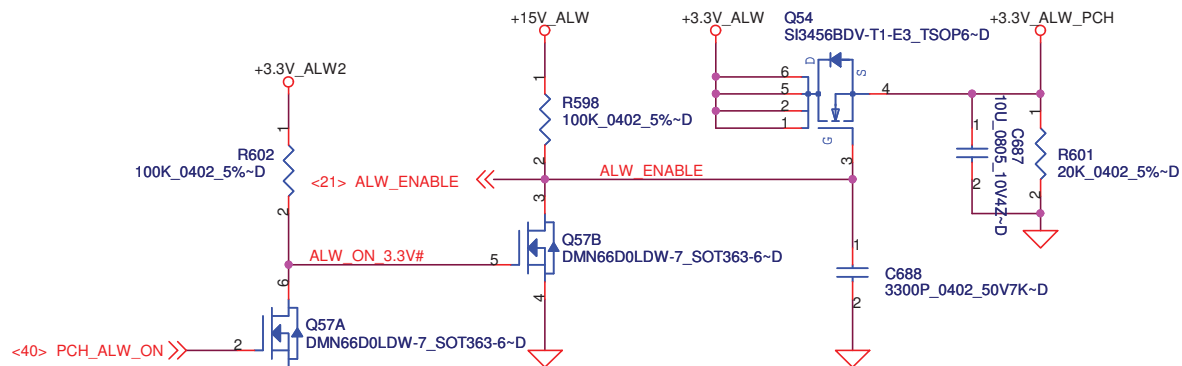
Title		Touch PAD/Int KB/LID	
Size	Document Number	LA-5471P	
Date:	Wednesday, January 20, 2010	Sheet	41 of 57

PROPRIETARY NOTE: THIS SHEET OF ENGINEERING DRAWING AND SPECIFICATIONS CONTAINS CONFIDENTIAL TRADE SECRET AND OTHER PROPRIETARY INFORMATION OF DELL INC. ("DELL") THIS DOCUMENT MAY NOT BE TRANSFERRED OR COPIED WITHOUT THE EXPRESS WRITTEN AUTHORIZATION OF DELL. IN ADDITION, NEITHER THIS SHEET NOR THE INFORMATION IT CONTAINS MAY BE USED BY OR DISCLOSED TO ANY THIRD PARTY WITHOUT DELL'S EXPRESS WRITTEN CONSENT.

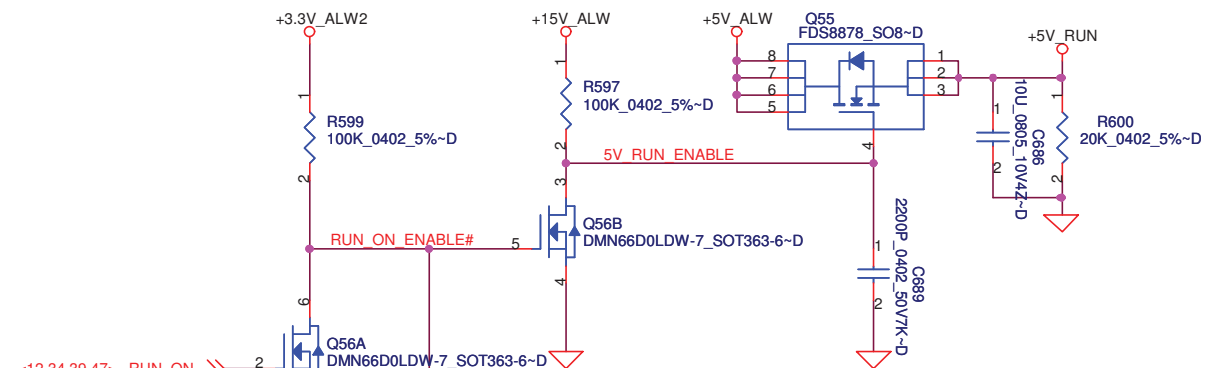


DC/DC Interface

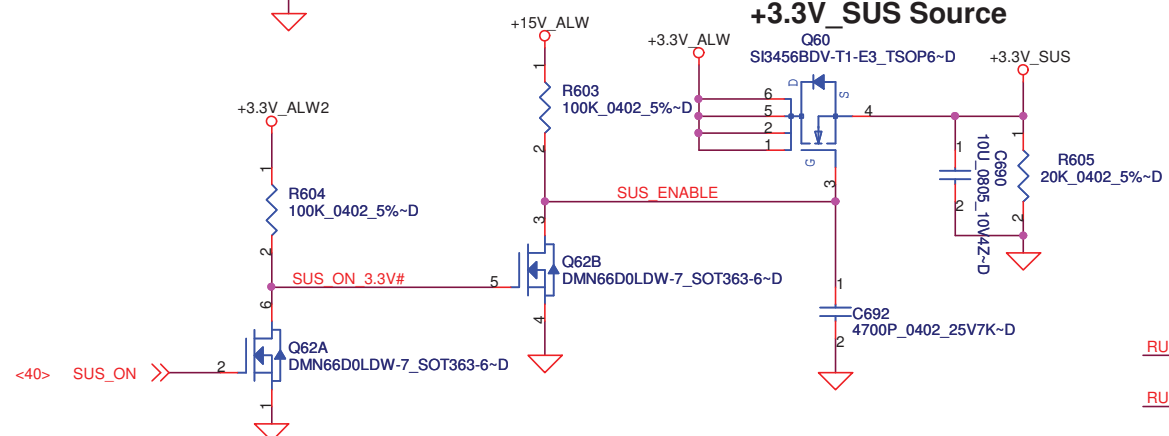
+3.3V_ALW_PCH Source



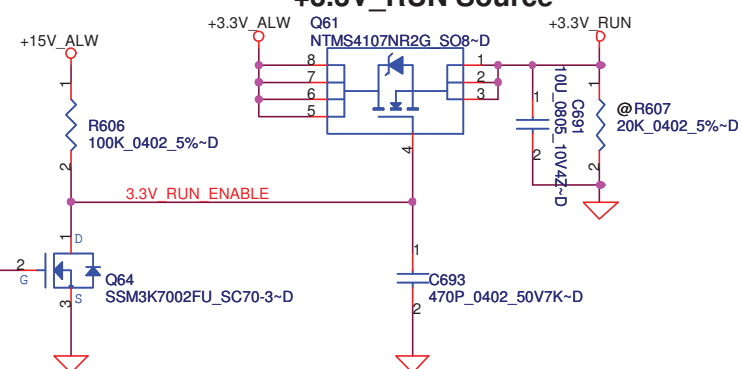
+5V_RUN Source



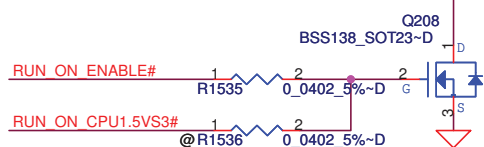
+3.3V_SUS Source



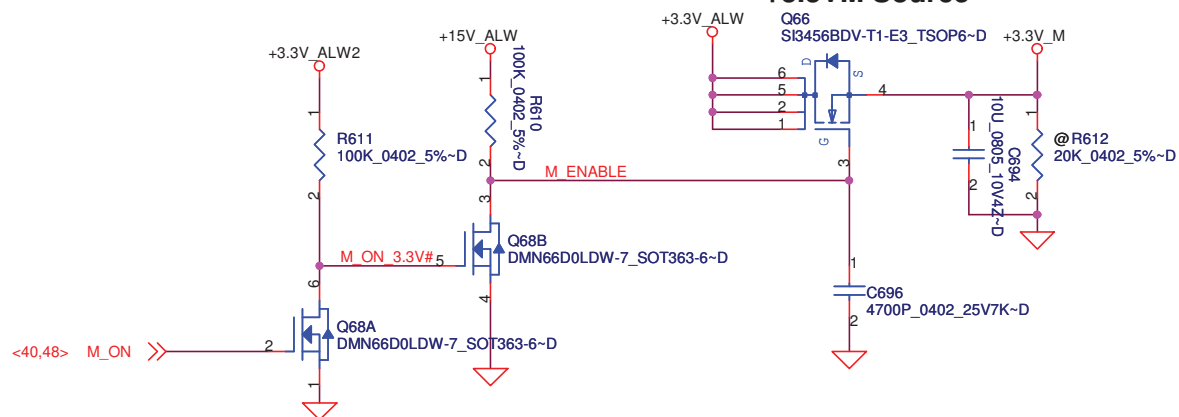
+3.3V_RUN Source



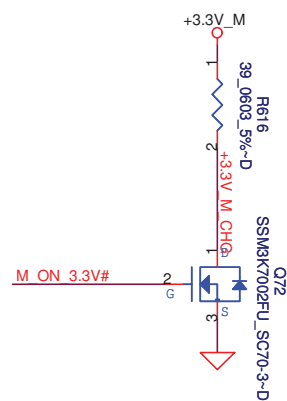
<8> 1.5V_PWRGD >>> R1508 >>> 0.75V_VR_EN <47>



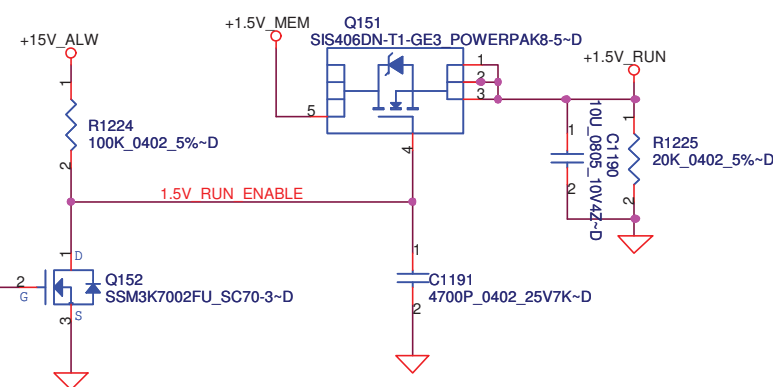
+3.3VM Source



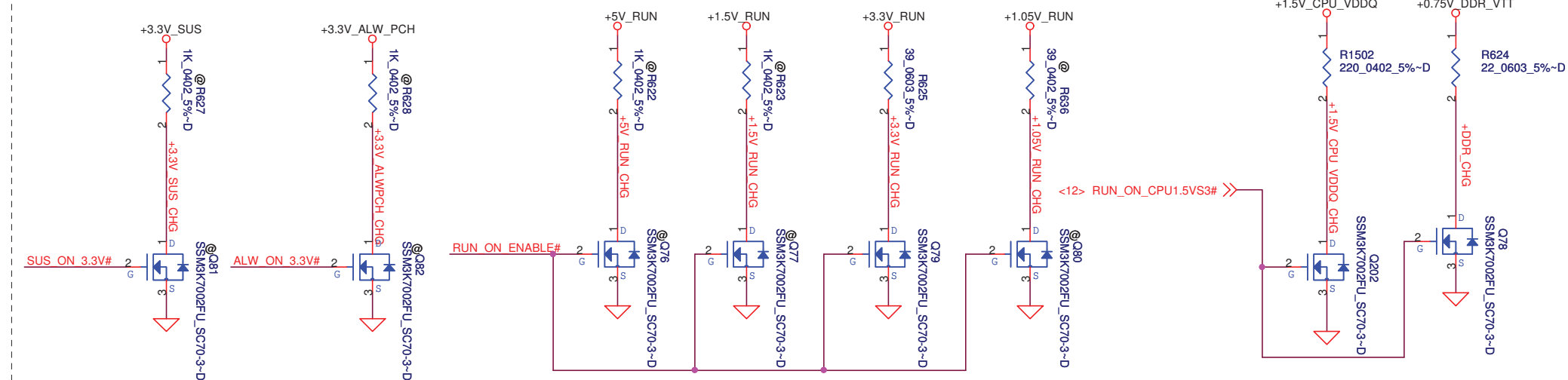
Discharg Circuit



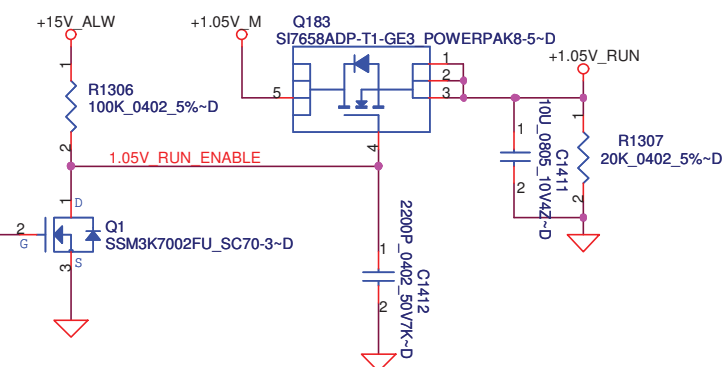
+1.5V_RUN Source



Discharg Circuit



+1.05V_RUN Source

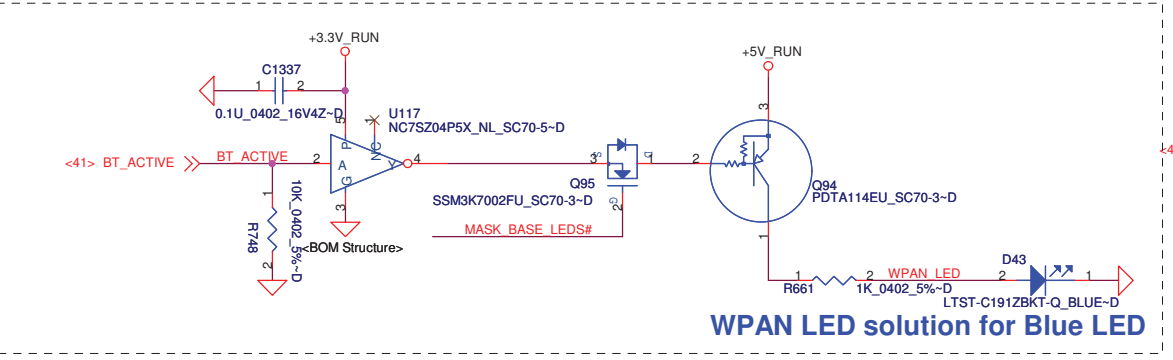
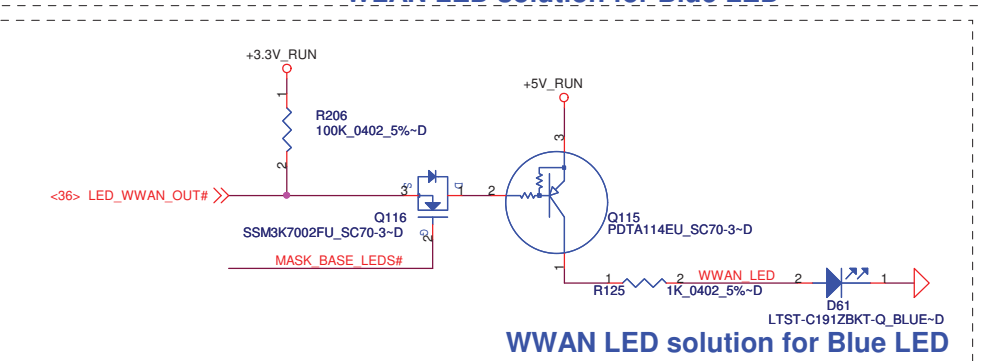
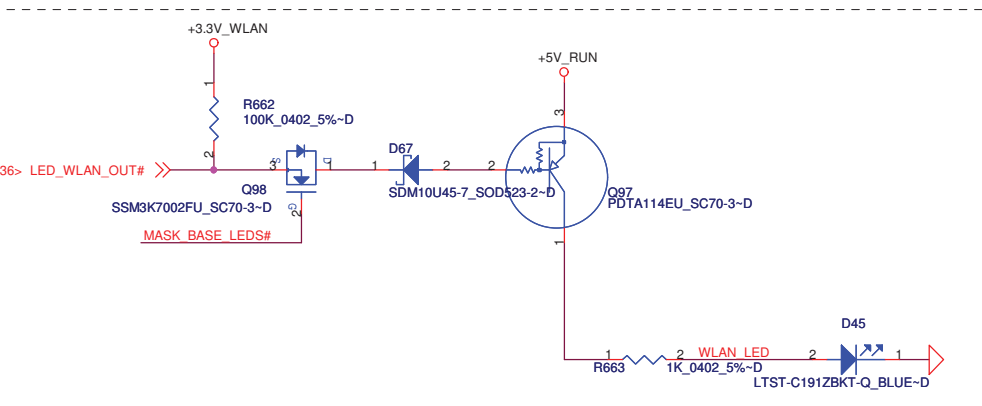
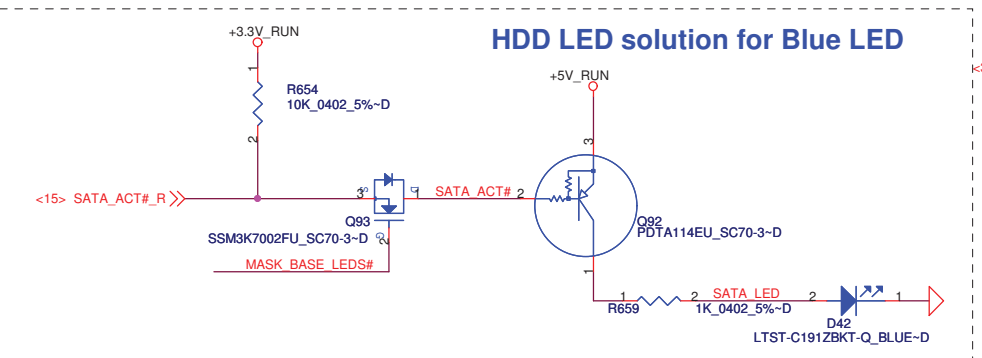


DELL CONFIDENTIAL/PROPRIETARY

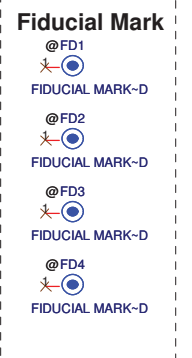
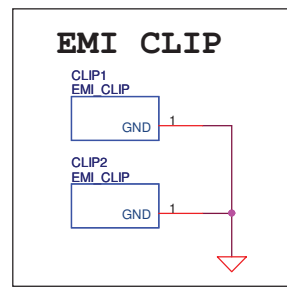
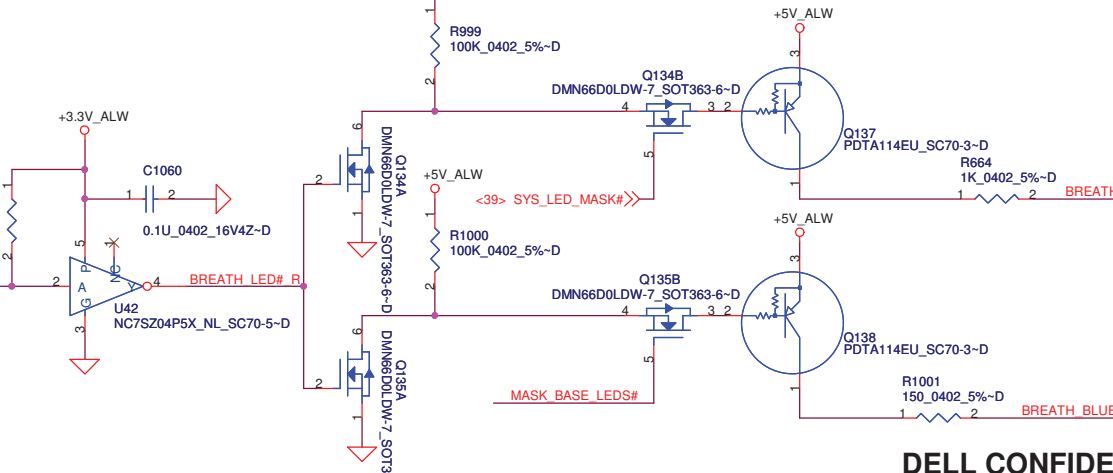
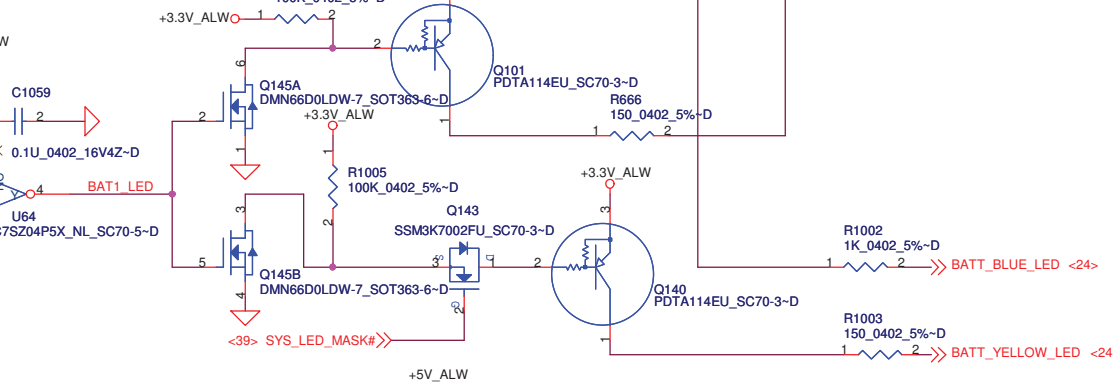
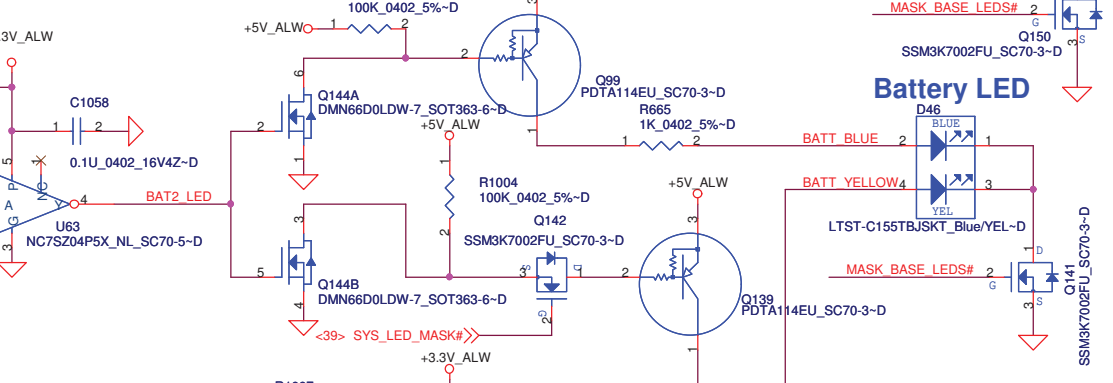
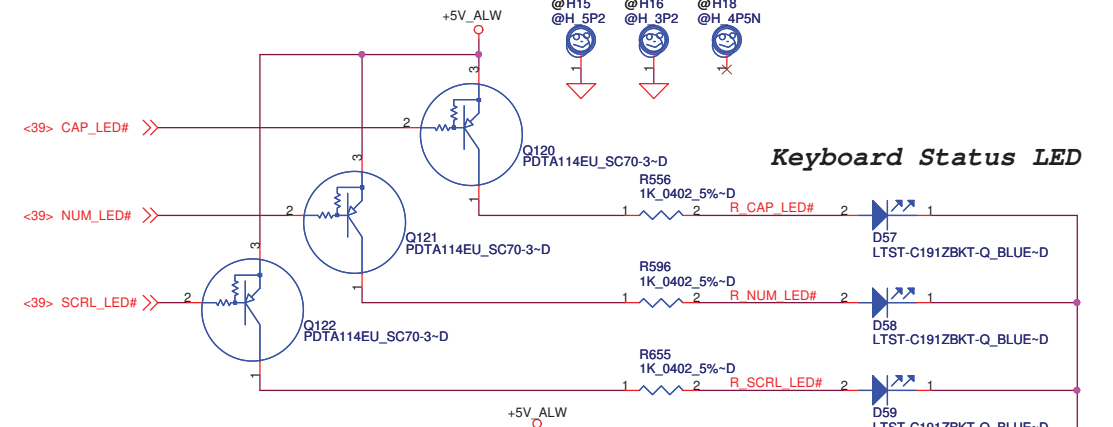
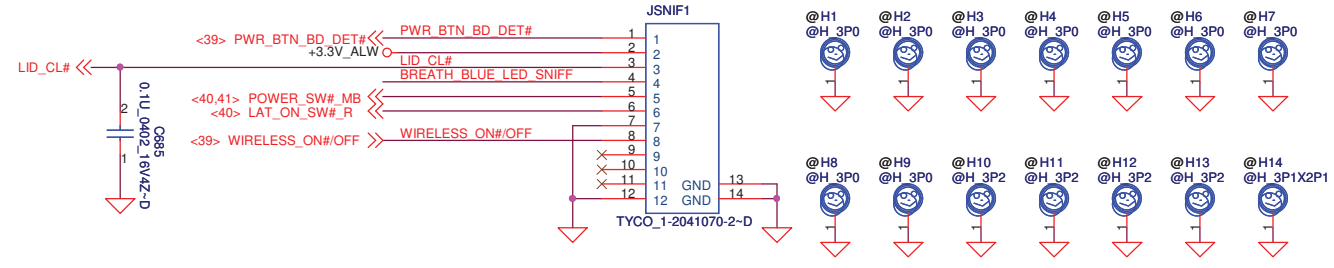
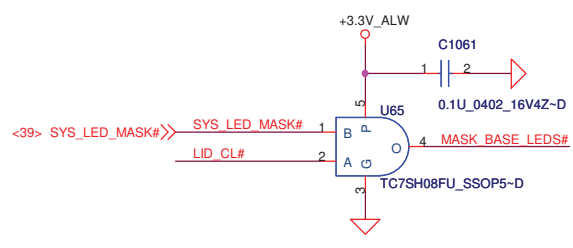
Compal Electronics, Inc.

Title			POWER CONTROL
Size	Document Number	Rev	
	LA-5471P	1.0	
Date:	Wednesday, January 20, 2010	Sheet	42 of 57

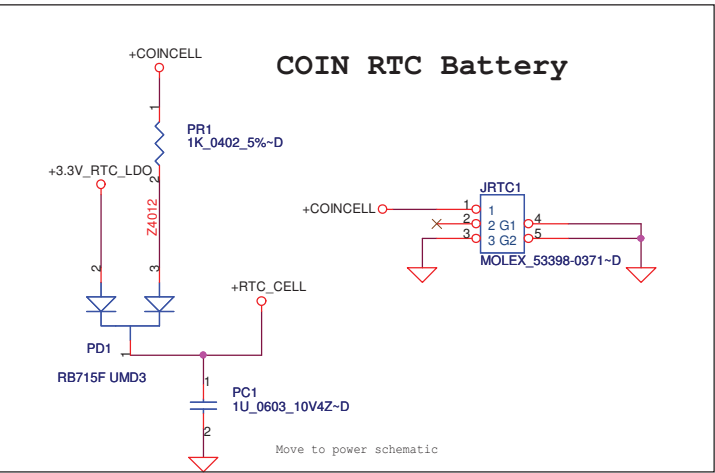
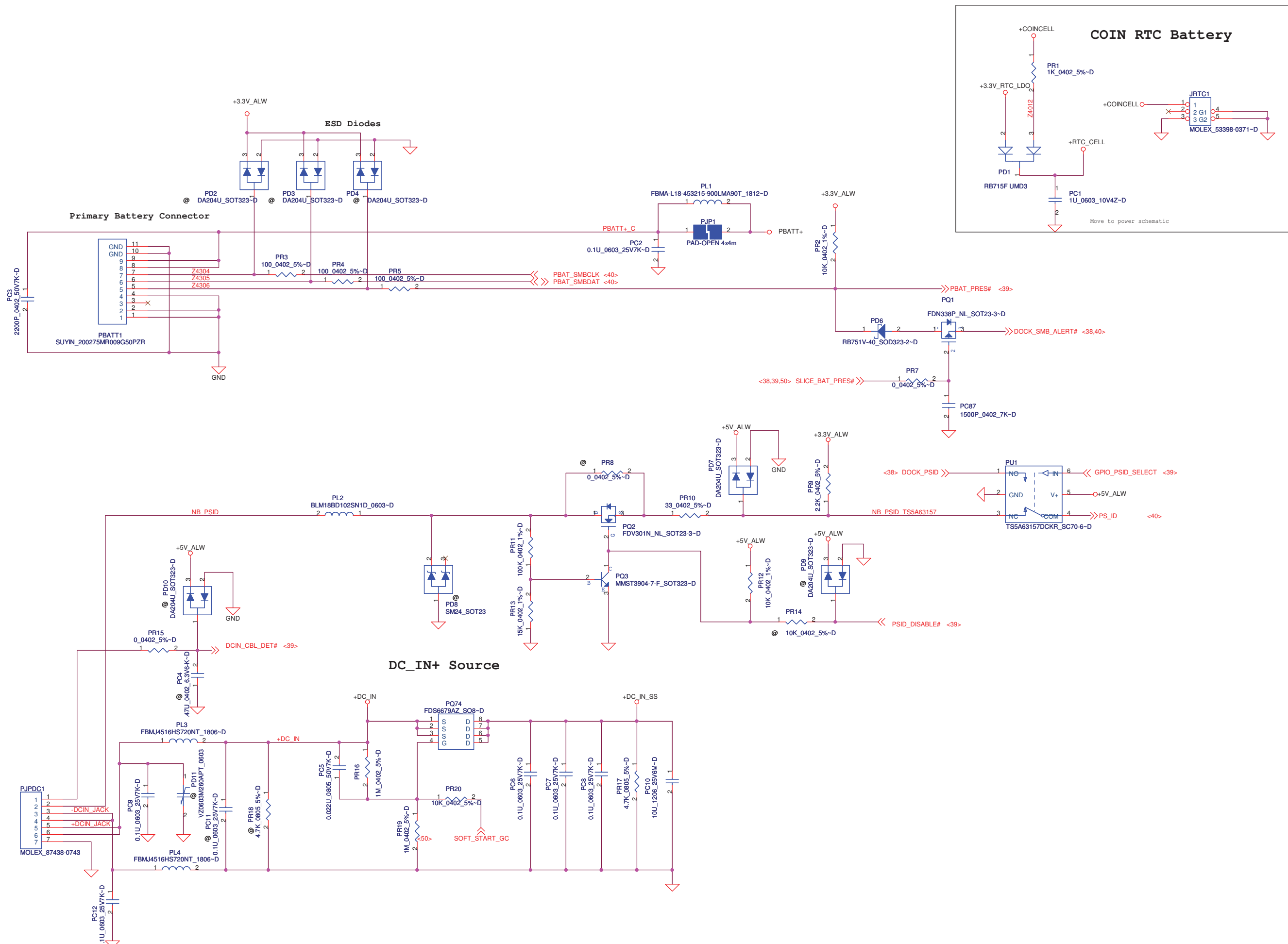
PROPRIETARY NOTE: THIS SHEET OF ENGINEERING DRAWING AND SPECIFICATIONS CONTAINS CONFIDENTIAL TRADE SECRET AND OTHER PROPRIETARY INFORMATION OF DELL INC. ("DELL") THIS DOCUMENT MAY NOT BE TRANSFERRED OR COPIED WITHOUT THE EXPRESS WRITTEN AUTHORIZATION OF DELL. IN ADDITION, NEITHER THIS SHEET NOR THE INFORMATION IT CONTAINS MAY BE USED BY OR DISCLOSED TO ANY THIRD PARTY WITHOUT DELL'S EXPRESS WRITTEN CONSENT.



LED Circuit Control Table		
	SYS_LED_MASK#	LID_CL#
Mask All LEDs (Sniffer Function)	0	X
Mask Base MB LEDs (Lid Closed)	1	0
Do not Mask LEDs (Lid Opened)	1	1



PROPRIETARY NOTE: THIS SHEET OF ENGINEERING DRAWING AND SPECIFICATIONS CONTAINS CONFIDENTIAL TRADE SECRET AND OTHER PROPRIETARY INFORMATION OF DELL INC. ("DELL") THIS DOCUMENT MAY NOT BE TRANSFERRED OR COPIED WITHOUT THE EXPRESS WRITTEN AUTHORIZATION OF DELL. IN ADDITION, NEITHER THIS SHEET NOR THE INFORMATION IT CONTAINS MAY BE USED BY OR DISCLOSED TO ANY THIRD PARTY WITHOUT DELL'S EXPRESS WRITTEN CONSENT.



DC_IN+ Source

DELL CONFIDENTIAL/PROPRIETARY

Compal Electronics, Inc.		
Title: +DCIN		
Size	Document Number	Rev
	LA-5471P	1.0
Date: Wednesday, January 20, 2010 Sheet 44 of 57		

THIS SHEET OF ENGINEERING DRAWING IS THE PROPRIETARY PROPERTY OF COMPAL ELECTRONICS, INC. AND CONTAINS CONFIDENTIAL AND TRADE SECRET INFORMATION. THIS SHEET MAY NOT BE TRANSFERRED FROM THE CUSTODY OF THE COMPETENT DIVISION OF R&D DEPARTMENT EXCEPT AS AUTHORIZED BY COMPAL ELECTRONICS, INC. NEITHER THIS SHEET NOR THE INFORMATION IT CONTAINS MAY BE USED BY OR DISCLOSED TO ANY THIRD PARTY WITHOUT PRIOR WRITTEN CONSENT OF COMPAL ELECTRONICS, INC.

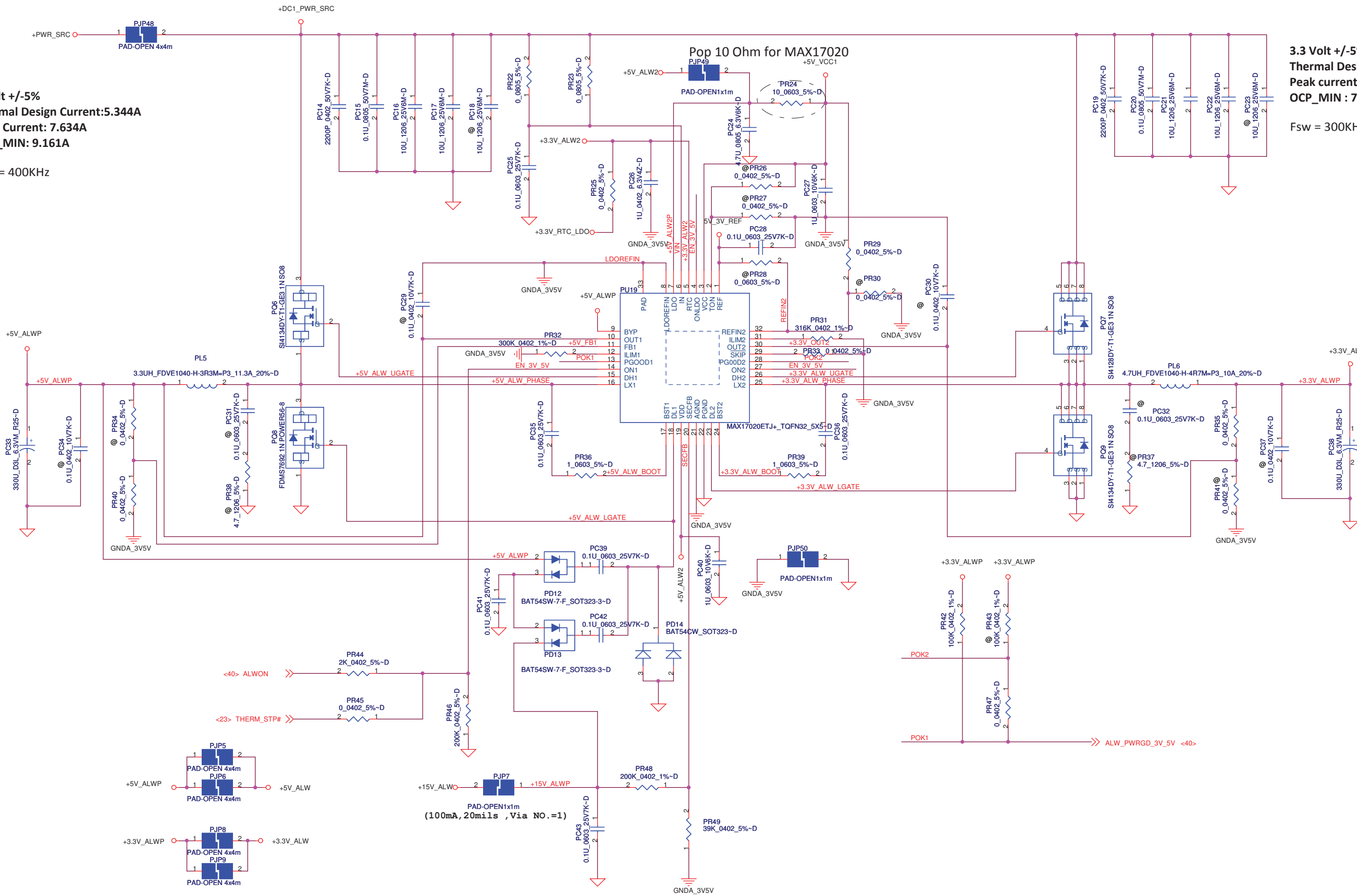
+3.3V_ALWP/ +5V_ALWP/ +5V_ALW2/ +15V_ALWP/ +3.3V_RTC_LDO

5 Volt +/-5%
Thermal Design Current: 5.344A
Peak Current: 7.634A
OCP_MIN: 9.161A

Fsw = 400KHz

3.3 Volt +/-5%
Thermal Design Current : 4.191A
Peak current : 5.988A
OCP_MIN : 7.186A

Fsw = 300KHz



THIS SHEET OF ENGINEERING DRAWING IS THE PROPRIETARY PROPERTY OF COMPAL ELECTRONICS, INC. AND CONTAINS CONFIDENTIAL AND TRADE SECRET INFORMATION. THIS SHEET MAY NOT BE TRANSFERRED FROM THE CUSTODY OF THE COMPETENT DIVISION OF R&D DEPARTMENT EXCEPT AS AUTHORIZED BY COMPAL ELECTRONICS, INC. NEITHER THIS SHEET NOR THE INFORMATION IT CONTAINS

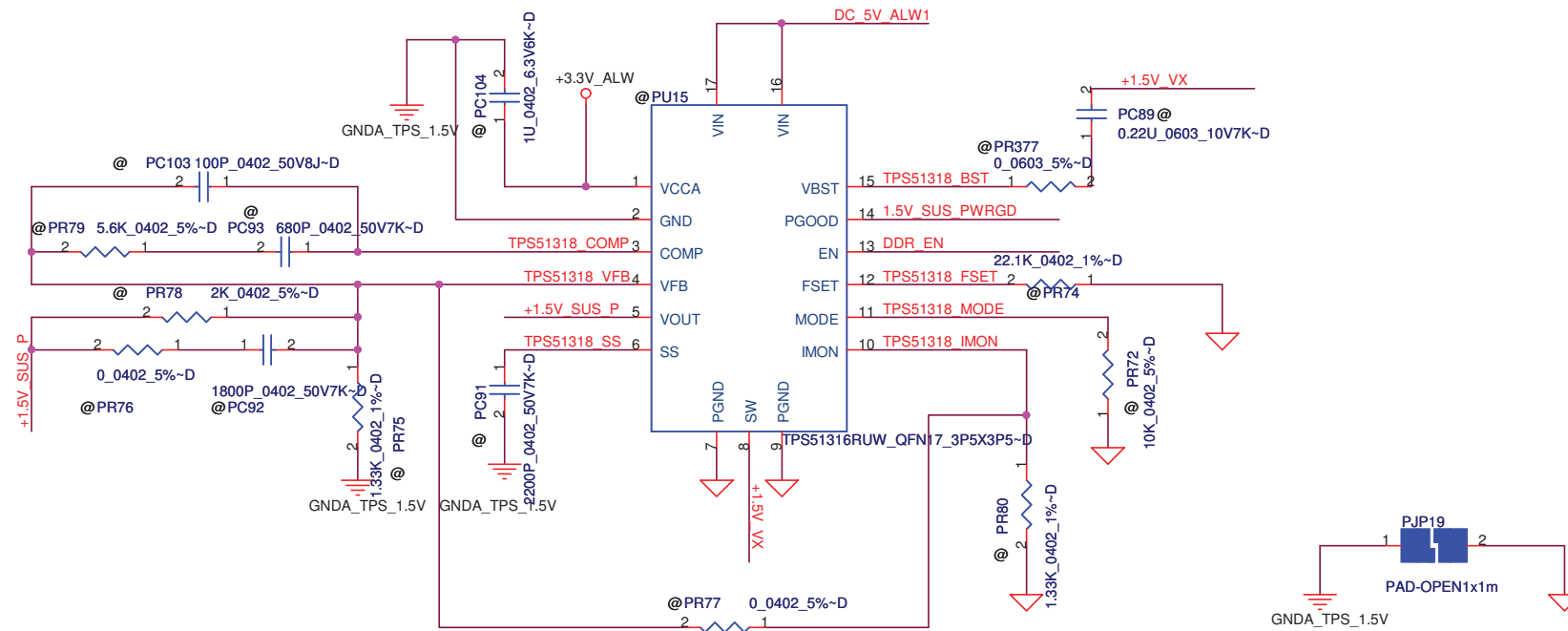
DELL CONFIDENTIAL/PROPRIETARY

Compal Electronics, Inc.

DC/DC +3V/ +5V

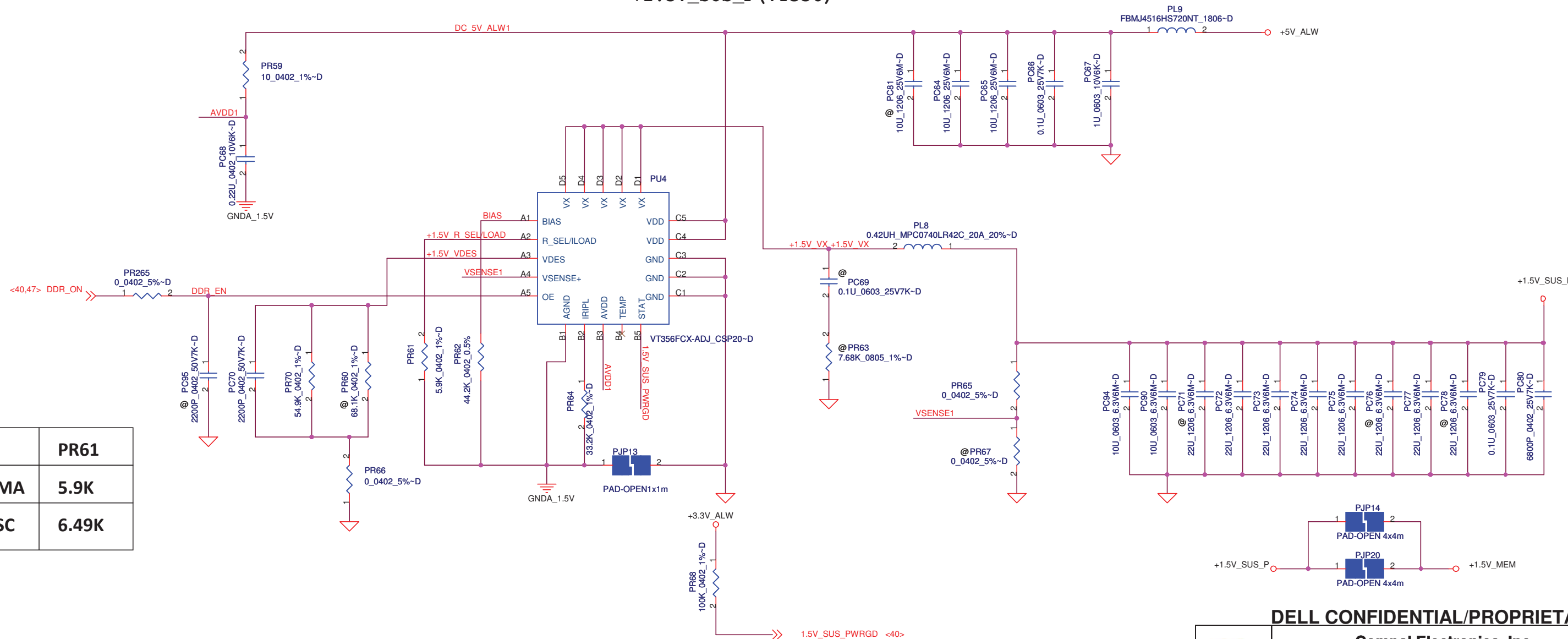
Title		DC/DC +3V/ +5V	
Size	Document Number	LA-5471P	
Date	Wednesday, January 20, 2010	Sheet	45 of 57
		Rev	1.0

+1.5V_SUS_P (TPS51316)



1.5 Volt +/-5%
 Thermal Design Current : 5.828A
 Peak current : 8.326A
 OCP_MIN :9.991A

+1.5V_SUS_P (VT356)



	PR61
UMA	5.9K
DSC	6.49K

PROPRIETARY NOTE: THIS SHEET OF ENGINEERING DRAWING AND SPECIFICATIONS CONTAINS CONFIDENTIAL TRADE SECRET AND OTHER PROPRIETARY INFORMATION OF DELL INC. ("DELL") THIS DOCUMENT MAY NOT BE TRANSFERRED OR COPIED WITHOUT THE EXPRESS WRITTEN AUTHORIZATION OF DELL. IN ADDITION, NEITHER THIS SHEET NOR THE INFORMATION IT CONTAINS MAY BE USED BY OR DISCLOSED TO ANY THIRD PARTY WITHOUT DELL'S EXPRESS WRITTEN CONSENT.

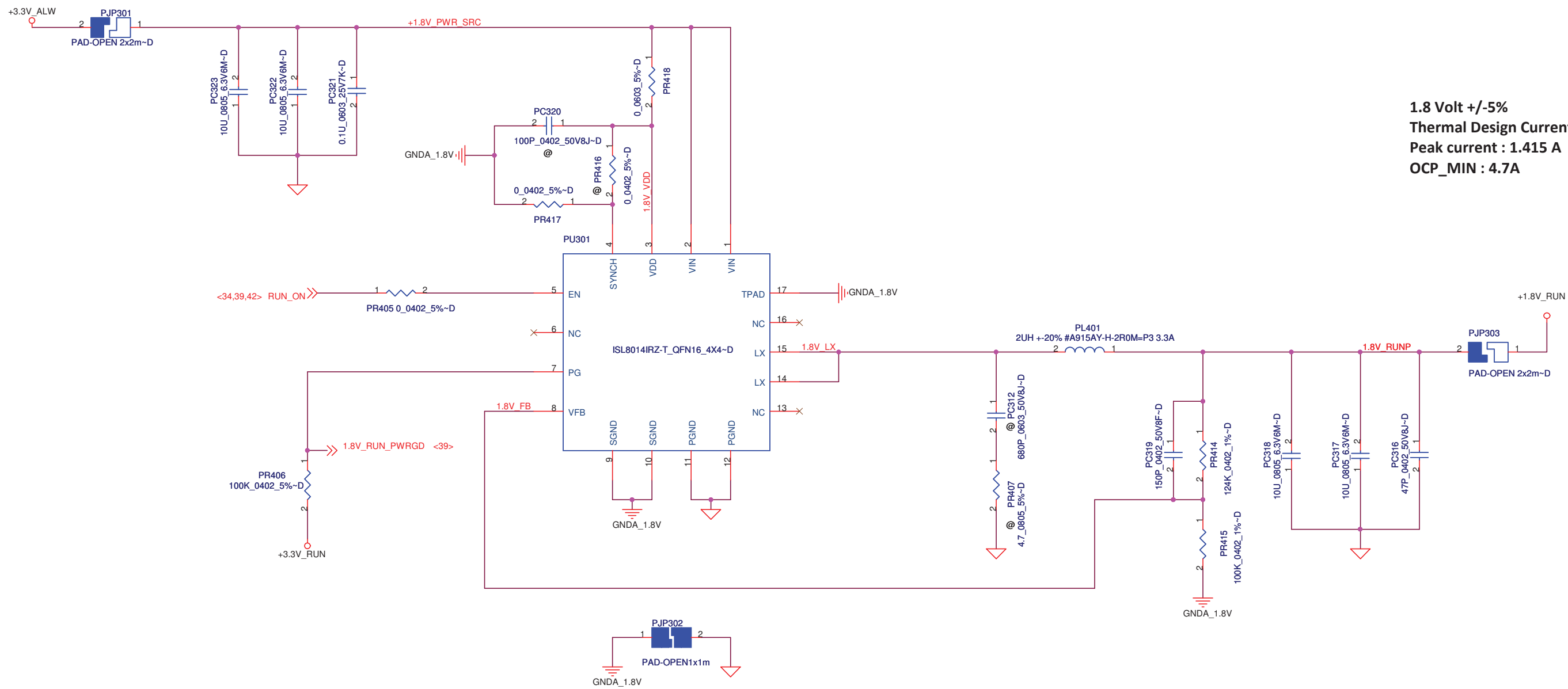
THIS SHEET OF ENGINEERING DRAWING IS THE PROPRIETARY PROPERTY OF COMPAL ELECTRONICS, INC. AND CONTAINS CONFIDENTIAL AND TRADE SECRET INFORMATION. THIS SHEET MAY NOT BE TRANSFERRED FROM THE CUSTODY OF THE COMPETENT DIVISION OF R&D DEPARTMENT EXCEPT AS AUTHORIZED BY COMPAL ELECTRONICS, INC. NEITHER THIS SHEET NOR THE INFORMATION IT CONTAINS

DELL CONFIDENTIAL/PROPRIETARY



Compal Electronics, Inc.		
Title +1.5V MEM		
Size	Document Number LA-5471P	Rev 1.0
Date: Wednesday, January 20, 2010	Sheet 46 of 57	

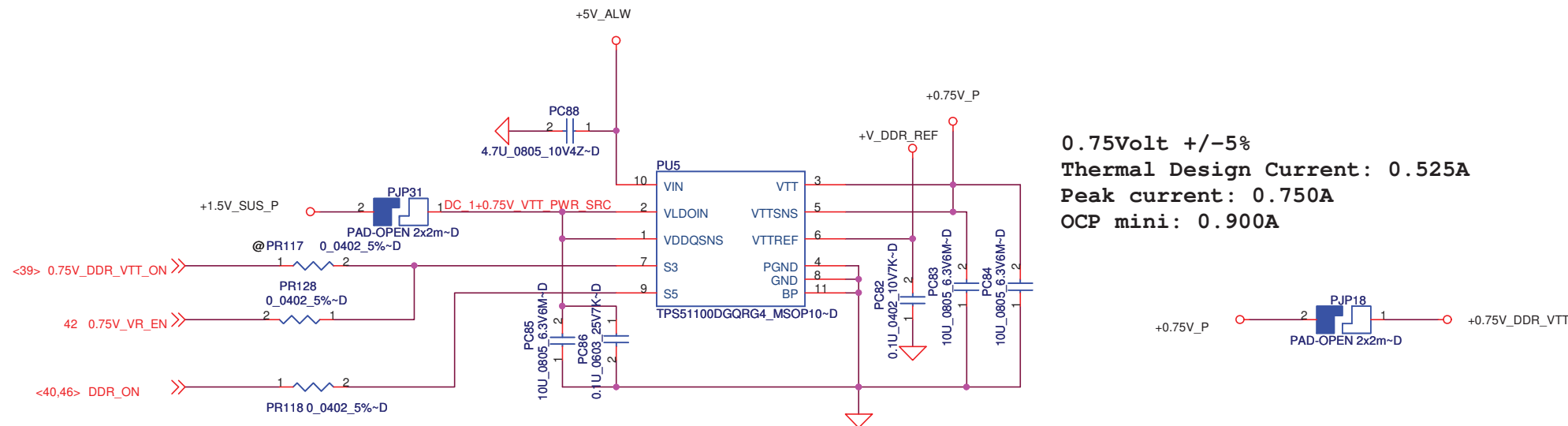
+1.8V_RUN



1.8 Volt +/-5%
 Thermal Design Current : 0.99A
 Peak current : 1.415 A
 OCP_MIN : 4.7A

+0.75V_DDR_VTT

DDR3 Termination



0.75Volt +/-5%
 Thermal Design Current: 0.525A
 Peak current: 0.750A
 OCP mini: 0.900A

DELL CONFIDENTIAL/PROPRIETARY

Compal Electronics, Inc.



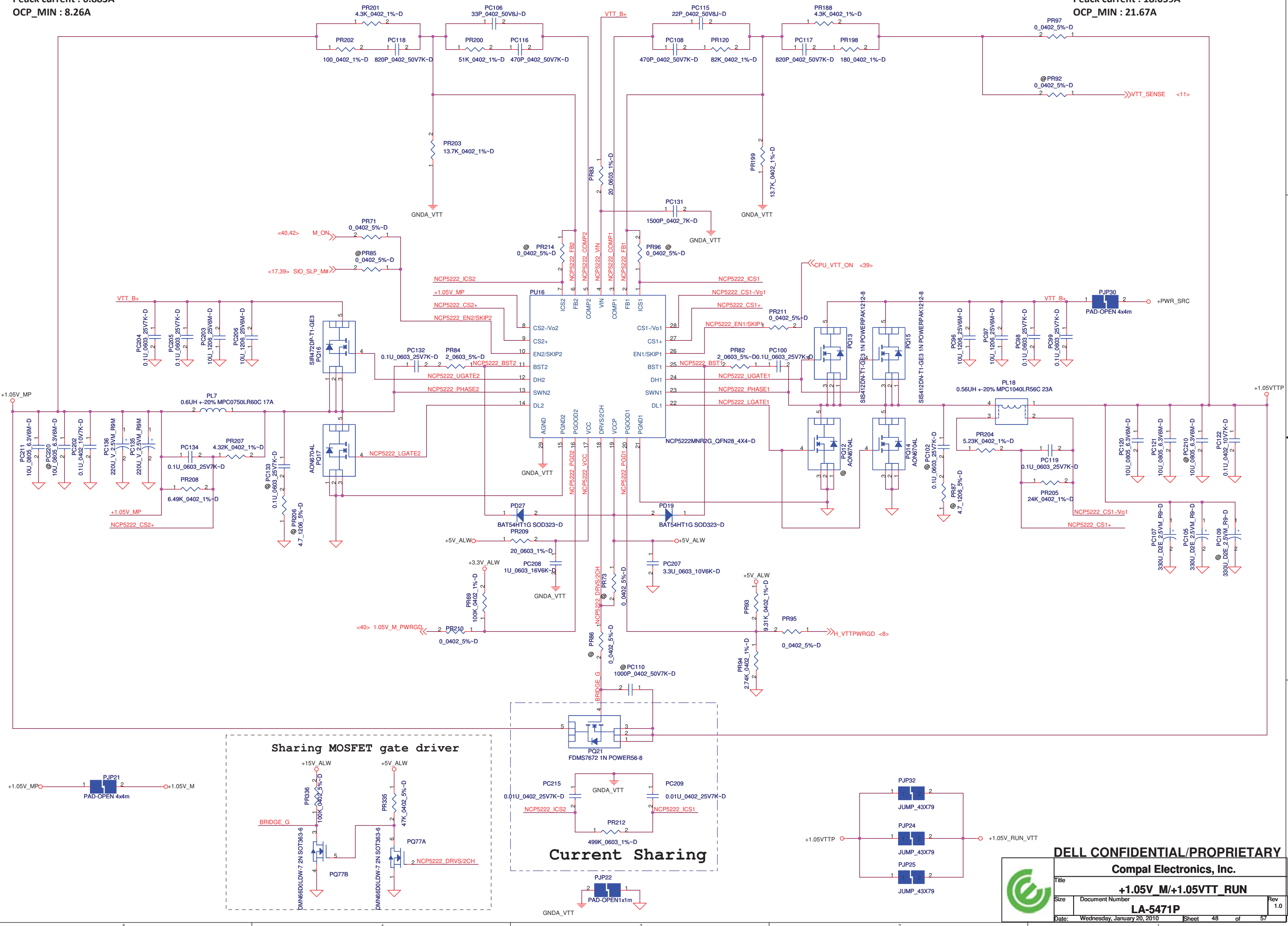
Title		
+0.75V_DDR_VTT/+1.8V_RUN		
Size	Document Number	Rev
	LA-5471P	1.0
Date:	Wednesday, January 20, 2010	Sheet 47 of 57

PROPRIETARY NOTE: THIS SHEET OF ENGINEERING DRAWING AND SPECIFICATIONS CONTAINS CONFIDENTIAL TRADE SECRET AND OTHER PROPRIETARY INFORMATION OF DELL INC. ("DELL"). THIS DOCUMENT MAY NOT BE TRANSFERRED OR COPIED WITHOUT THE EXPRESS WRITTEN AUTHORIZATION OF DELL. IN ADDITION, NEITHER THIS SHEET NOR THE INFORMATION IT CONTAINS MAY BE USED BY OR DISCLOSED TO ANY THIRD PARTY WITHOUT DELL'S EXPRESS WRITTEN CONSENT.

1.05 Volt +/-5%
 Thermal Design Current : 4.818A
 Peak current : 6.883A
 OCP_MIN : 8.26A

+1.05V_M/+1.05VTT_RUN

1.05 Volt +/-5%
 Thermal Design Current : 18A
 Peak current : 18.059A
 OCP_MIN : 21.67A



Sharing MOSFET gate driver

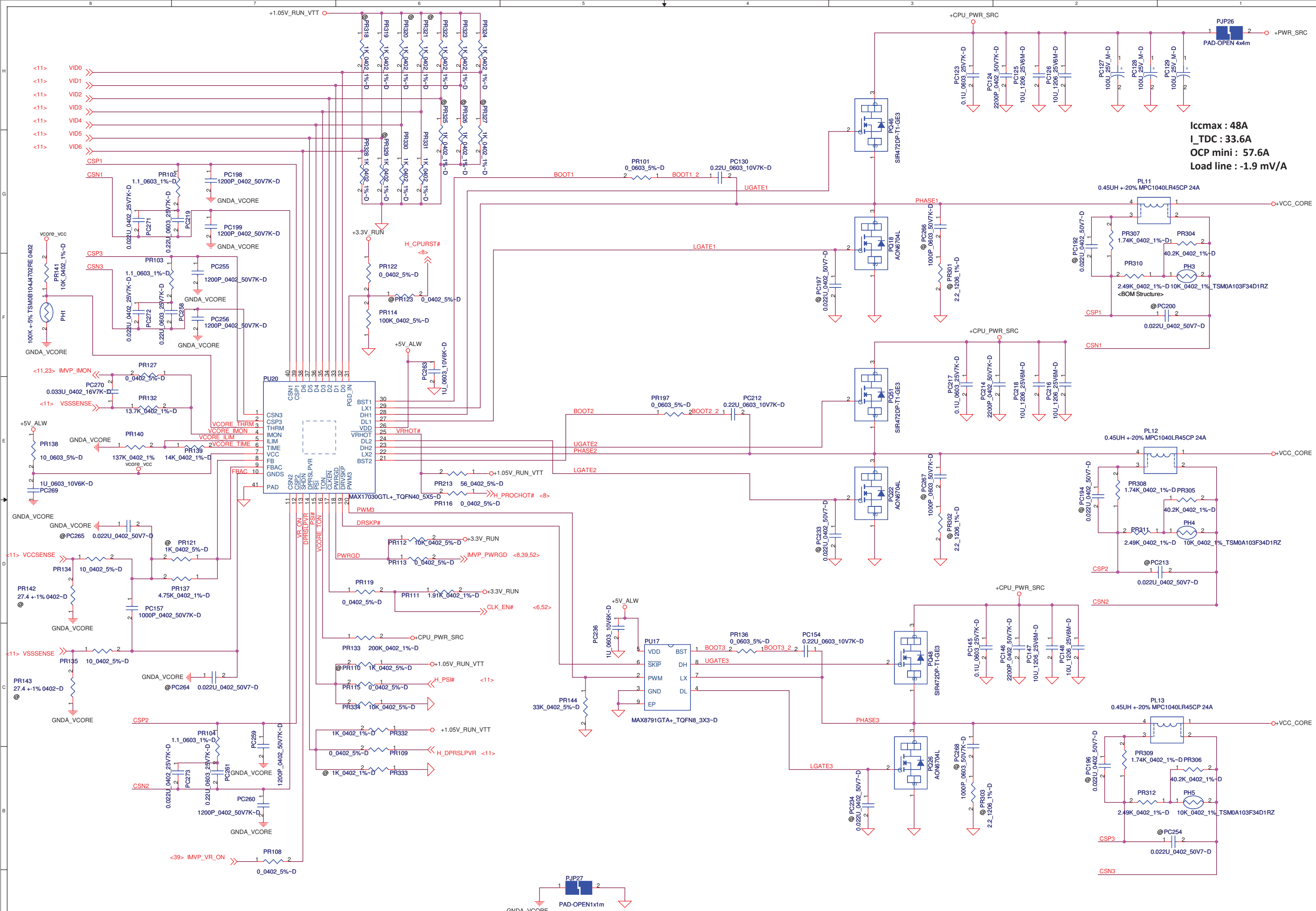
Current Sharing

DELL CONFIDENTIAL/PROPRIETARY

Compal Electronics, Inc.

+1.05V_M/+1.05VTT_RUN

Title	+1.05V_M/+1.05VTT_RUN		Rev	1.0
Size	Document Number	LA-5471P		
Date:	Wednesday, January 20, 2010	Sheet	48	of 57

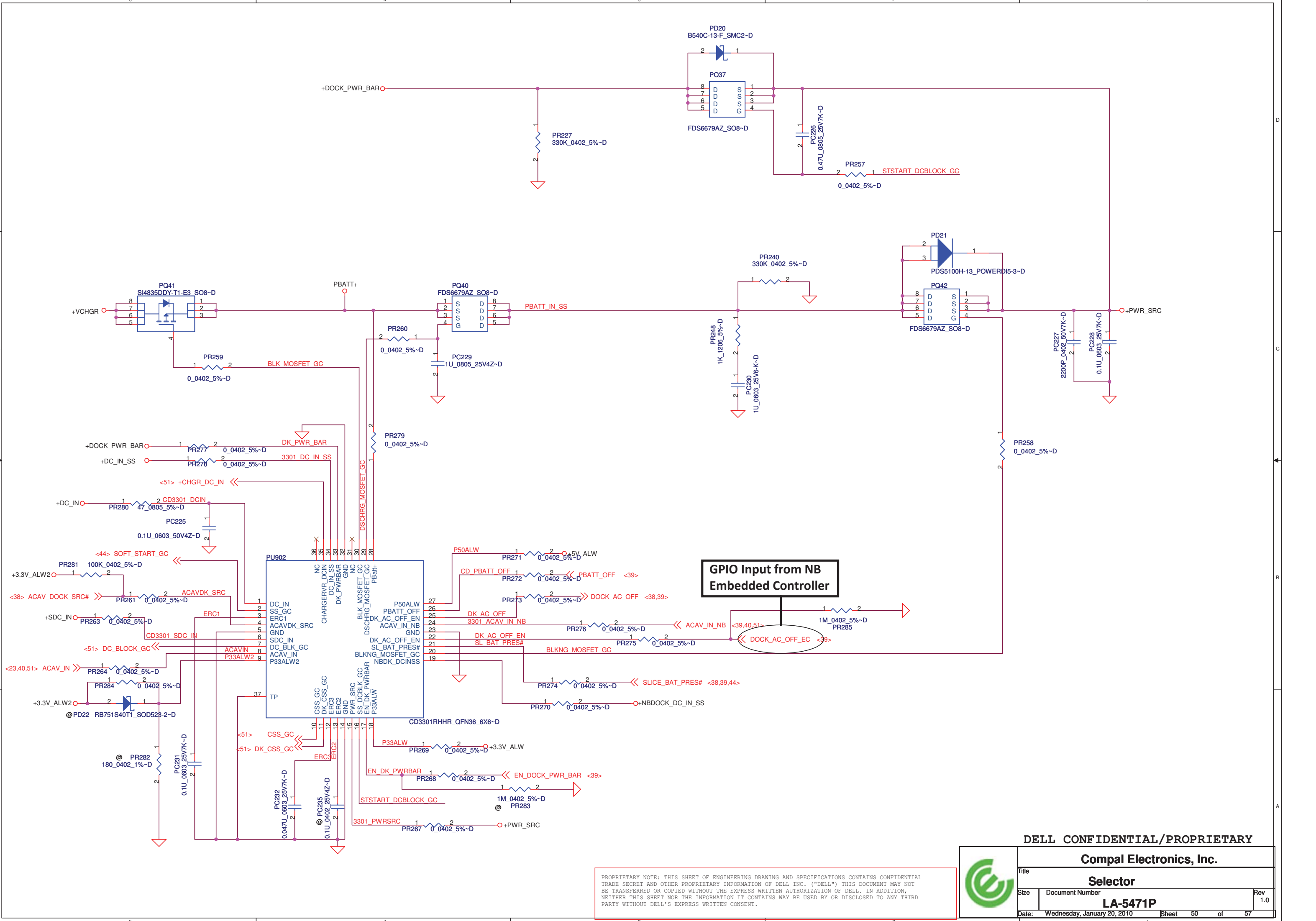


Iccmax : 48A
 I_TDC : 33.6A
 OCP mini : 57.6A
 Load line : -1.9 mV/A

DELL CONFIDENTIAL/PROPRIETARY

Compal Electronics, Inc.		
+Vcore		
Title	Document Number	Rev
	LA-5471P	1.0
Date: Wednesday, January 20, 2010	Sheet 49 of 57	

THIS SHEET OF ENGINEERING DRAWING IS THE PROPRIETARY PROPERTY OF COMPAL ELECTRONICS, INC. AND CONTAINS CONFIDENTIAL AND TRADE SECRET INFORMATION. THIS SHEET MAY NOT BE TRANSFERRED FROM THE CUSTODY OF THE COMPETENT DIVISION OF R&D DEPARTMENT EXCEPT AS AUTHORIZED BY COMPAL ELECTRONICS, INC. NEITHER THIS SHEET NOR THE INFORMATION IT CONTAINS MAY BE USED BY OR DISCLOSED TO ANY THIRD PARTY WITHOUT PRIOR WRITTEN CONSENT OF COMPAL ELECTRONICS, INC.



DELL CONFIDENTIAL/PROPRIETARY

Compal Electronics, Inc.

Selector

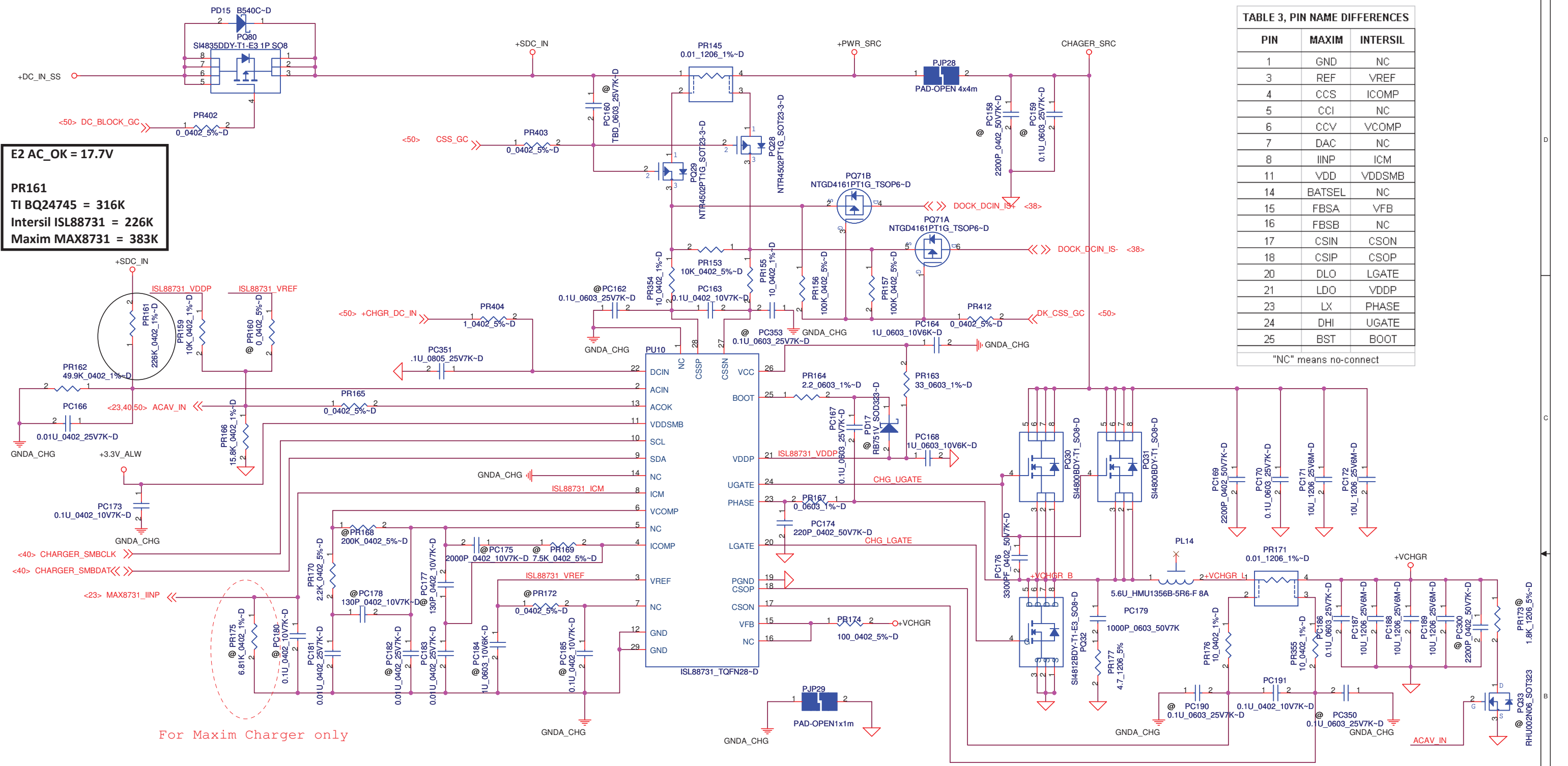
LA-5471P

Date: Wednesday, January 20, 2010 Sheet 50 of 57

PROPRIETARY NOTE: THIS SHEET OF ENGINEERING DRAWING AND SPECIFICATIONS CONTAINS CONFIDENTIAL TRADE SECRET AND OTHER PROPRIETARY INFORMATION OF DELL INC. ("DELL") THIS DOCUMENT MAY NOT BE TRANSFERRED OR COPIED WITHOUT THE EXPRESS WRITTEN AUTHORIZATION OF DELL. IN ADDITION, NEITHER THIS SHEET NOR THE INFORMATION IT CONTAINS MAY BE USED BY OR DISCLOSED TO ANY THIRD PARTY WITHOUT DELL'S EXPRESS WRITTEN CONSENT.

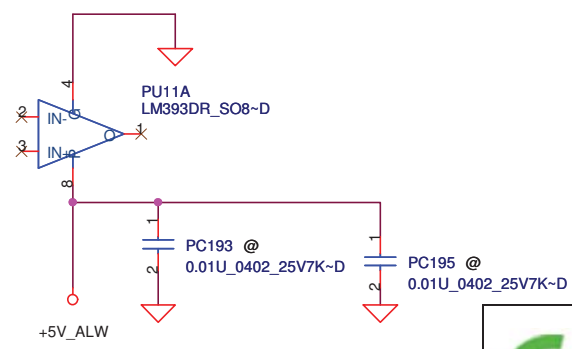
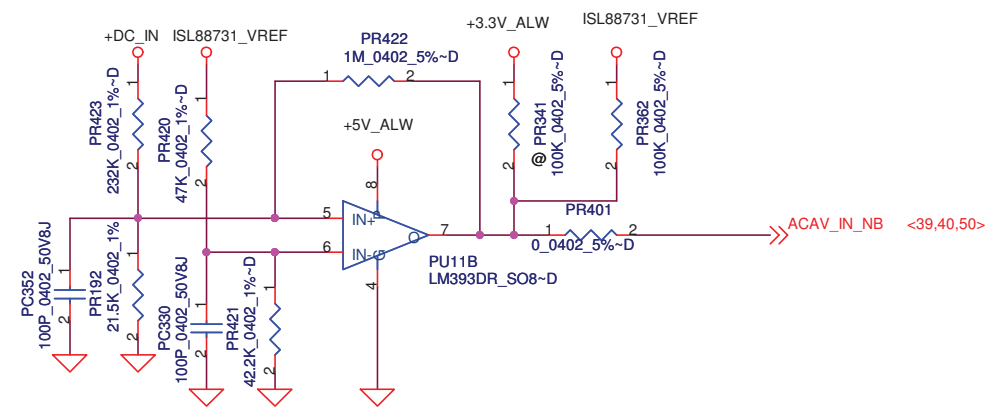
E2 AC_OK = 17.7V
PR161
TI BQ24745 = 316K
Intersil ISL88731 = 226K
Maxim MAX8731 = 383K

TABLE 3, PIN NAME DIFFERENCES		
PIN	MAXIM	INTERSIL
1	GND	NC
3	REF	VREF
4	CCS	ICOMP
5	CCI	NC
6	CCV	VCOMP
7	DAC	NC
8	IINP	ICM
11	VDD	VDDSMB
14	BATSEL	NC
15	FBSA	VFB
16	FBSB	NC
17	CSIN	CSON
18	CSIP	CSOP
20	DLO	LGATE
21	LDO	VDDP
23	LX	PHASE
24	DHI	UGATE
25	BST	BOOT
"NC" means no-connect		



For Maxim Charger only

Maximum charging current is 6.24A



THIS SHEET OF ENGINEERING DRAWING IS THE PROPRIETARY PROPERTY OF COMPAL ELECTRONICS, INC. AND CONTAINS CONFIDENTIAL AND TRADE SECRET INFORMATION. THIS SHEET MAY NOT BE TRANSFERRED FROM THE CUSTODY OF THE COMPETENT DIVISION OF R&D DEPARTMENT EXCEPT AS AUTHORIZED BY COMPAL ELECTRONICS, INC. NEITHER THIS SHEET NOR THE INFORMATION IT CONTAINS MAY BE USED BY OR DISCLOSED TO ANY THIRD PARTY WITHOUT PRIOR WRITTEN CONSENT OF COMPAL ELECTRONICS, INC.

DELL CONFIDENTIAL/PROPRIETARY

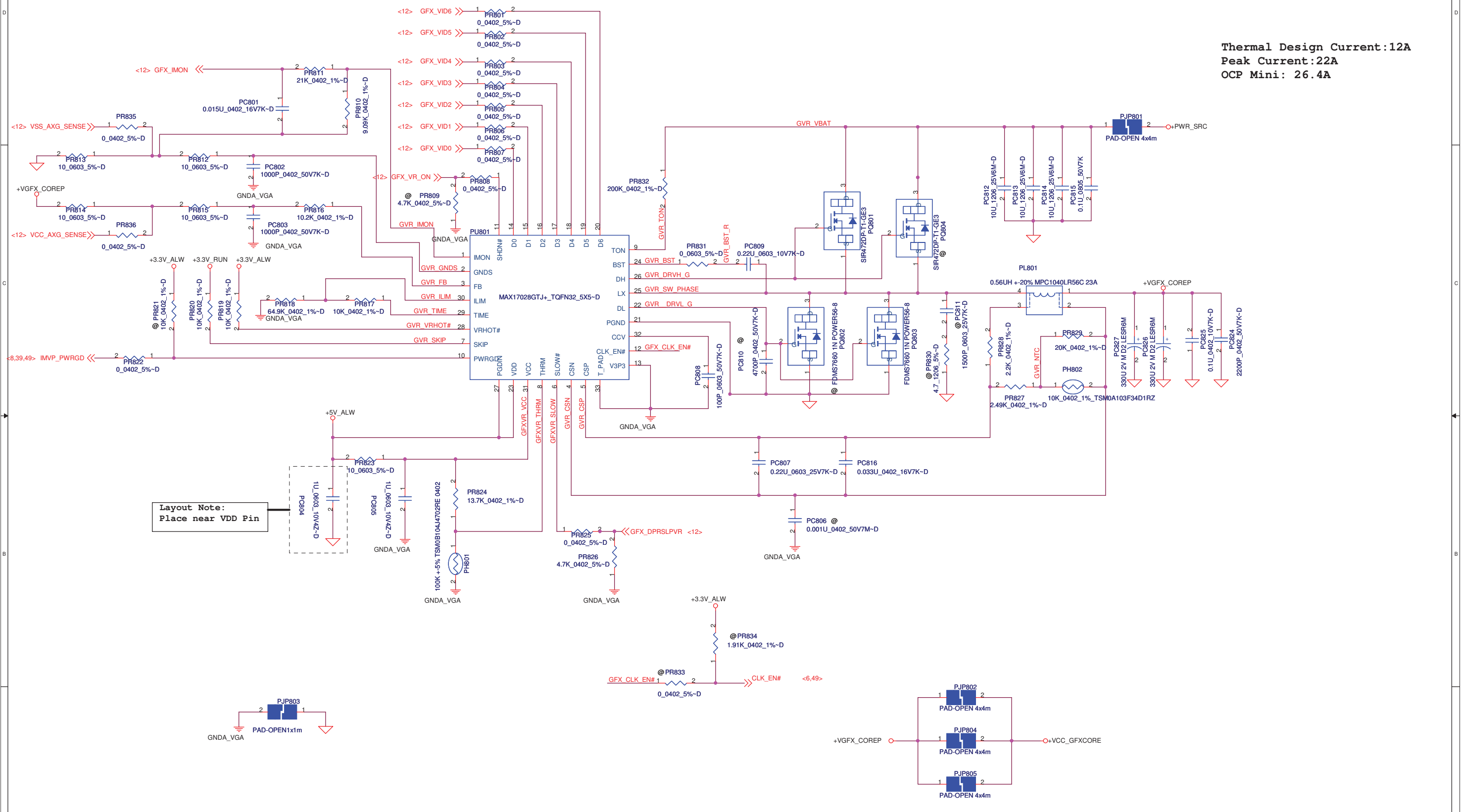
Compal Electronics, Inc.

Charger

Size: Document Number **LA-5471P** Rev: 1.0

Date: Wednesday, January 20, 2010 Sheet 51 of 57

Thermal Design Current:12A
 Peak Current:22A
 OCP Mini: 26.4A



Layout Note:
Place near VDD Pin

DELL CONFIDENTIAL/PROPRIETARY


Compal Electronics, Inc.		
Title MAX17028 VGF_X Core		
Size	Document Number LA-5471P	Rev 1.0
Date:	Wednesday, January 20, 2010	Sheet 52 of 57

THIS SHEET OF ENGINEERING DRAWING IS THE PROPRIETARY PROPERTY OF COMPAL ELECTRONICS, INC. AND CONTAINS CONFIDENTIAL AND TRADE SECRET INFORMATION. THIS SHEET MAY NOT BE TRANSFERRED FROM THE CUSTODY OF THE COMPETENT DIVISION OF R&D DEPARTMENT EXCEPT AS AUTHORIZED BY COMPAL ELECTRONICS, INC. NEITHER THIS SHEET NOR THE INFORMATION IT CONTAINS MAY BE USED BY OR DISCLOSED TO ANY THIRD PARTY WITHOUT PRIOR WRITTEN CONSENT OF COMPAL ELECTRONICS, INC.

Version Change List (P. I. R. List)

Item	Page#	Title	Date	Request Owner	Issue Description	Solution Description	Rev.
1	40	HW	7/13/2009	COMPAL	Board ID	R98 change to 130k ohm	X01
2	30	HW	7/13/2009	COMPAL	follow M09 +3.3V_LAN enable control circuit	depop R47	X01
3	8, 12, 13, 42	HW	7/13/2009	Intel	Intel S3 reduction circuit.	Add R1469, R1497~R1505, R1507~R1509, C1875, C1878~C1884, Q199~Q202, Q205, Q207, Q208, U141, PJP906, PJP907, change R879 to 1.5K, R880 to 750ohm, R624 to 22 ohm, change CPU CDDQ power source from +1.5V_MEM to +1.5V_CPU_VDDQ, change +.075_DDR_VTT discharge gate from RUN_ON_ENABLE# to RUN_ON_CPU1.5VS3#, add +1.5V_CPU_VDDQ discharge circuit, add net "DDR_HVREF_RST_GATE" from U36.A34 to Q119.2, "CPU1.5V_S3_GATE" from U36.A36 to R1501	X01
4	31	HW	7/22/2009	Broadcom	change C718 value	change C718 from .47uF to .22uF	X01
5	23	HW	7/22/2009	DELL	Follow DELL request to remove R3P circuit.	delete U140, R136, R138, R156,R507, R516, R519, R529, R531, R534~R536, R594, R1457, R1458, R1462, R1463, C434, C72, C73, C391, C406, pop R142, D2, C219	X01
6	41, 37	HW	7/22/2009	COMPAL	Per M09 lesson learn request	Re-define JTP1, JBI01	X01
7	19	HW	7/22/2009	Intel	GPIO1, 6, 7 need to PU if no used.	Add R1510, R1511	X01
8	40	HW	7/22/2009	COMPAL	Follow SMSC5045 spec	Add R1512, @C1885, C1886, change R560 to 100Kohm, add net name LAT_ON_SW#_R	X01
9	16	HW	7/22/2009	Intel	Intel Sighting report 3306048 to pop 25MHz crystal.	pop Y6, R685, C1168 (change to 18p), change R381 to C1887(18p)	X01
10	31	HW	7/22/2009	Broadcom	remove RFID disable circuit	remove R1062~R1065	X01
11	24	HW	7/22/2009	COMPAL	CAM Module change from 7pin to 8 pin.	change pin define for JEDP1	X01
12	31	HW	7/22/2009	Broadcom	R898 and R485 pop at the same time.	depop R898	X01
13	29	HW	7/29/2009	COMPAL	EMI solution.	change R1295 to L4 (220ohm) and R1215 from 22ohm to 47ohm.	X01
14	42	HW	7/29/2009	COMPAL	base on de-rating report.	change Q61 from AO4456 to NTMS4107	X01
15	36, 39	HW	7/29/2009	DELL	GPIO MAP update	Add connection from JMINI3.20 to 5028 pin A56, named "UWB_RADIO_DIS#"	X01
16	37, 39	HW	7/29/2009	DELL	GPIO MAP update	Add reserved R1513 between U95.18 and +3.3V_RUN, add R1514 between U95.18 and 5028.A47 named EN_ESATA_RPTR.	X01
17	42	HW	7/29/2009	COMPAL	resolve leakage issue.	Pop R625 and Q79, change R625 to 0603 size.	X01
18	31	HW	7/29/2009	Broadcom	resolve 5882 leakage issue	add R1515, Q209, Q210	X01
19	26	HW	7/29/2009	COMPAL	resolve 8200 DVI can't work issue.	add R1516	X01
20	31	HW	7/29/2009	Broadcom	resolve smart cart can't work problem.	pop R775, R537, depop R776.	X01
21	36	HW	7/29/2009	COMPAL	Correct PU power rail for USB_MCARD1_DET#	change USB_MCARD1_DET# PU to +3.3V_RUN	X01
22	31	HW	7/29/2009	COMPAL	remove R1061 to avoid double PU and provide back-drive path.	remove R1061	X01
23	19	HW	7/29/2009	COMPAL	add PD to prevent floating at PCH GPIO22, GPIO34.	add R1520, R1521	X01
24	21	HW	7/29/2009	COMPAL	Follow the pop option on CRB1.6 to depop C39 for +VCCACLK, C610 for +SATAPLL, C111 and C112 for +1.05V_M_VCCEPW	de-pop C610, C39, C111, C112	X01
25	37	HW	7/31/2009	DELL	correct the connection for EN_ESATA_RPTR. it's not detect function.	change the connection from U95 Pin18 to Pin7	X01
26	27	HW	8/05/2009	COMPAL	base on EA and EMI test result on RGB	change L61~L63 to BLM188B050SN1D and C390, C518, C996, C251~C253 to 4.7p	X01
27	36	HW	8/05/2009	COMPAL	change the PU to +3.3V_RUN refer to the core power rail at PCH side.	change the PU for R458 from +3.3V_ALW_PCH to +3.3V_RUN	X01
28	18, 35, 36	HW	8/05/2009	DELL	Braidwood no longer support on Rothschild.	Delete NVM connection, delete R1411, R1452, R1453, R866, R872 , JBW1, C1851, C1852. Move JMINI1 power circuit to page 36.	X01
29	10	HW	8/06/2009	Intel	Follow Intel recommend to add debug TP.	Add T186~T190	X01
30	28	HW	8/06/2009	COMPAL	Follow M09 to change the PU to +3.3V_RUN	Pop R1239 and change the PU power rail from +5V_MOD to +3.3V_RUN	X01
31	31	HW	8/06/2009	Broadcom	Follow Broadcom request	delete T159, R494, R498, R631, R634, R898, C640, C641, C642 C647, C1026, L73, add R1522, C1887, C1888, change connection for R496, R497 to GND, change connection for JCS1 pin3 and pin4.	X01
32	23	HW	8/12/2009	COMPAL	FAN1_DET# should have 10K PU to +3.3V_M	add R1517	X01
33	40	HW	8/12/2009	SMSC	per AN 19.6 (section 6.7, page 19)	change R541, R554, R1512 from 1K to 10K.	X01
34	23	HW	8/12/2009	SMSC	The pull-up source of the R150 should be changed to +VCC_4002 by SMSC request	change R150 PU from +3.3V_M to +VCC_4002	X01
35	23	HW	8/12/2009	SMSC	Add discharge ckt for+3.3V_M, watch dog timer may not be resetED when EMC4002 VDD_PWRGD is not completely at Logic Low.	pop Q72 and R616, change R616 from 1K(0402) to 39ohm(0603)	X01
36	8	HW	8/12/2009	COMPAL	Follow Margaux to fix S3 power up sequence.	change C1880 from 0.01uF to 0.22uF	X01

DELL CONFIDENTIAL/PROPRIETARY


		Compal Electronics, Inc.	
		Title: EE P.I.R (1/1)	
Size	Document Number	Rev: 1.0	
LA-5471P		Date: Wednesday, January 20, 2010	Sheet 53 of 57

PROPRIETARY NOTE: THIS SHEET OF ENGINEERING DRAWING AND SPECIFICATIONS CONTAINS CONFIDENTIAL TRADE SECRET AND OTHER PROPRIETARY INFORMATION OF DELL INC. ("DELL") THIS DOCUMENT MAY NOT BE TRANSFERRED OR COPIED WITHOUT THE EXPRESS WRITTEN AUTHORIZATION OF DELL. IN ADDITION, NEITHER THIS SHEET NOR THE INFORMATION IT CONTAINS MAY BE USED BY OR DISCLOSED TO ANY THIRD PARTY WITHOUT DELL'S EXPRESS WRITTEN CONSENT.

Version Change List (P. I. R. List)

Item	Page#	Title	Date	Request Owner	Issue Description	Solution Description	Rev.
37	21	HW	8/12/2009	Intel	WW30 Calpella MoW, Intel request change L45 & L46 to 10uH, DCR=0.36 ohm	change L45, L46 from 10UH_LB2012T100MR_20% to 10UH_LBR2012T100M_20%	X01
38	26, 38	HW	8/12/2009	Intel	Per Intel check list rev1.6, change PD value of HPD signals from 100K to 110K ohm.	change R186, R191, R796, R798 from 100Kohm to 110Kohm	X01
39	39	HW	8/12/2009	COMPAL	VGA_ID_DISC and VGA_ID_UMA should pulled up to +3.3V_ALW	change PU from +3.3V_RUN to +3.3V_ALW for R875, R881	X01
40	31	HW	8/13/2009	Broadcom	Base on Broadcom review for Margaux.	add @R1523, R1524, change C718 to 470nF, C646 to 220nF.	X01
41	15, 30, 33, 40	HW	8/13/2009	COMPAL	Base on EA result for all X'tal and OSC.	change C296, C297 to 12pF, C476 to 33pF, C427 to R1526(200ohm), C674&C675 to 33pF, R421 to 100ohm	X01
42	8	HW	8/13/2009	Intel	Refer to Intel S3PowerReduction_whitePaper_Rev0.9	add R1525 and C1890	X01
43	33, 34	HW	8/13/2009	Ricoh	Correct the Cardbus Controller to R5U242 on PT phase.	change R46 to C1889, C21 from 10uF to 47uF, correct symbol to R5U242	X01
44	30	HW	8/14/2009	Intel	bsae on Intel review result.	remove +LOM_VCT, R562, C41, depop C712 and change the net name to +LOM_VCT_IO, add C1891	X01
45	19, 37	HW	8/14/2009	COMPAL	GPIO MAP update for EN_ESATA_RPTR#.	add @R1528, @Q211, pop R1513, depop R1514, change net name from GPIO16 to EN_ESATA_RPTR#	X01
46	8, 40	HW	8/14/2009	COMPAL	GPIO MAP update for CPU_DETECT#	Add R1529, delete TP1, connect JCPU.AH24 to U36.B18	X01
47	37	HW	8/17/2009	COMPAL	Base on EMI team request to reserve command choke for test	Add L90, L91, @R1530~ @R1533, change L64 to 2@, depop R791, R792.	X01
48	30	HW	8/17/2009	Intel	bsae on Intel review result.	reserved R1534.	X01
49	42	HW	8/18/2009	COMPAL	reserved pop option to improved S3 circuit.	add R1535, @R1536	X01
50	31	HW	8/18/2009	COMPAL	base on Smart card EA result.	R772 to 47 Ohm and C1015 to 10pF	X01
51	28, 37	HW	8/18/2009	COMPAL	base on SATA EA result on HDD and ESATA	depop R1308, R1298, pop R1304, R1031	X01
52	26	HW	8/20/2009	Pericom	Per Pericom: Add 100pf to GND between the source and 8200	add C1893, C1894	X01
53	26	HW	8/20/2009	COMPAL	reserved for dubug.	reserved R1537~R1539	X01
54	16	HW	8/21/2009	COMPAL	Base on EA result on Crystal.	change Y6 to SJ100006M0L (CL=12P)	X01
55	29	HW	8/21/2009	COMPAL	Base on Vender suggestion	change X4 to SiTime 12MHZ_15PF_SIT8102AC3333E12T	X01
56	36	HW	8/23/2009	COMPAL	Follow EA result	add R1540~R1542	X01
57	24	HW	8/23/2009	COMPAL	follow eDP specification.	delete R279 and R1027	X01
58	21	HW	8/24/2009	COMPAL	base on EA result to solve SATA eye.	delete R557	X01
59	13, 14	HW	8/25/2009	COMPAL	Base on EMI request to pop the caps at DDR DIMM for verify.	pop C1121~1124, C1145~C1148	X01
60	42	HW	8/25/2009	COMPAL	Double discharge path on +3.3V_M, +3.3V_RUN and +1.5V_CPU_VDDQ	de-pop R607, R612 and R1498	X01
61	30	HW	8/26/2009	Intel	Follow Intel WW35 '09	Change R1526 to C427 10pF and change C475 to 33pF	X01
62	40	HW	10/06/2009	COMPAL	Board ID	Change R98 to 33K	X02
63	29	HW	10/06/2009	IDT	Follow IDT request to add a filter circuit	Change R340, R342, R1041, R1042 to 2K, add C1895~1898 (1000p), depop C1066, C1067	X02
64	17	HW	10/06/2009	COMPAL	add level shift for CRT DDC signal	add Q212, @1543, @1544	X02
65	32	HW	10/06/2009	COMPAL	Follow Intel DG FLEX clock topology.	change R910 to 22ohm.	X02
66	17	HW	10/06/2009	COMPAL	Follow Schematic check llist rev2.0	change R268 from 1Kohm to 10Kohm, depop C105, C106	X02
67	36	HW	10/06/2009	COMPAL	Correct the PU power rail for USB_MCARD2_DET#	change R447 PU from +3.3V_RUN to +3.3V_ALW +3.3V_ALW_PCH	X02
68	36	HW	10/06/2009	COMPAL	layout request to reduce stub.	add R1545, R1546.	X02
69	16	HW	10/21/2009	COMPAL	Follow X'tal EA. BIT number:DF346635	change C1168 C1187 from 18pF to 12pF.	X02
70	31	HW	10/27/2009	COMPAL	Follow Broadcom RFID final value.BIT number:DF341072	change L71/L72 from 150nH to 68nH, C1070/C1071 from 750pF to 1500pF, C1887/C1888 to 150pF	X02
71	16	HW	10/29/2009	COMPAL	Follow new SMBUS topology to solve AMT Memory issue.	add R1547, R1548	X02
72	41	HW	11/04/2009	COMPAL	Follow new TP spec	change PU for R613 and R614 from +5V_ALW to +3.3V_ALW	X02
73	24	HW	11/04/2009	COMPAL	Solve DF344566 EMI test fail at 200MHz from PCH PCI noise	change R166 to L92 (220ohm 0603 size bead)	X02
74	31	HW	11/04/2009	Broadcom	U34 has been validated to support both Atmel/Numonyx dataflash devices to meet Dell two sources requirement.	remove U14.	X02
75	31	HW	11/05/2009	COMPAL	W25X32VSSIG EOL	change U13 from W25X32VSSIG to W25Q32BVSSIG	X02
76	36	HW	11/05/2009	COMPAL	support WiMAX LED.	pop R840	X02
77	8, 28	HW	11/05/2009	COMPAL	reduce SMBUS stub.	add R1549~R1552 as no pop.	X02
78	40	HW	11/11/2009	COMPAL	solve RTC timing issue and follow the newest EA result.	change C675 from 33pf to 39pf and Y1/4 from 1TJS125DJ4A420P to Q13MC30610018 (10ppm)	X02
79	24	HW	11/11/2009	COMPAL	follloe LCD timing EA result.	change R161 from 470ohm to 100ohm.	X02
80	24	HW	11/11/2009	COMPAL	ME_FWP and SIO_EXT_WAKE# are OD pin.	add R1557 2.2Kohm PU to +3.3V_ALW_PCH , R1558 10K PU to +3.3V_RUN	X02

DELL CONFIDENTIAL/PROPRIETARY


		Compal Electronics, Inc.	
		Title: EE P.I.R (2/2)	
Size	Document Number	Rev: 1.0	
Date: Wednesday, January 20, 2010		Sheet	54 of 57

PROPRIETARY NOTE: THIS SHEET OF ENGINEERING DRAWING AND SPECIFICATIONS CONTAINS CONFIDENTIAL TRADE SECRET AND OTHER PROPRIETARY INFORMATION OF DELL INC. ("DELL") THIS DOCUMENT MAY NOT BE TRANSFERRED OR COPIED WITHOUT THE EXPRESS WRITTEN AUTHORIZATION OF DELL. IN ADDITION, NEITHER THIS SHEET NOR THE INFORMATION IT CONTAINS MAY BE USED BY OR DISCLOSED TO ANY THIRD PARTY WITHOUT DELL'S EXPRESS WRITTEN CONSENT.

Version Change List (P. I. R. List)

Item	Page#	Title	Date	Request Owner	Issue Description	Solution Description	Rev.
81	21	ESD	11/17/2009	COMPAL	Solve TP ESD issue. DF349471	add R1564, R1565 (100ohm) to replace L41 and L42	X02
82	19	HW	11/17/2009	Intel	Follow check list rev2.0 to add the PU for GPIO22, GPIO34	change the R1520, R1521 from PD to PU +3.3V_RUN	X02
83	31	HW	11/17/2009	COMPAL	use the same solution on Smart card clock.	change R772 from 47ohm to 22ohm.	X02
84	31	HW	11/18/2009	COMPAL	check list rev2.0 requirment	change R224 tolerance from 5% to 1%.	X02
85	40	HW	12/22/2009	COMPAL	Change board ID for X'build	change R98 from 33k ohm to 1k ohm.	A00
86	37	HW	12/22/2009	COMPAL	For DFB concern, change JBIO1 footprint	change JBIO1 footprint from TYCO_1734242-6_6P-T to TYCO_2041070-6_6P.	A00
87	38	EMI	12/22/2009	COMPAL	Solve Simplo battery slice EMI issue	Add C1900 and reserved C1899	A00
88	36	HW	12/22/2009	COMPAL	Solve Wi-max LED abnormal operation	De-pop R1409	A00
89	31	HW	12/22/2009	COMPAL	SC_CLK damping resistor keep PT value	change R772 from 22ohm to 47ohm.	A00
90	12	HW	12/23/2009	COMPAL	Surge voltage on UMA GFX core	change R358 from 4.7k ohm to 470 ohm.	A00
91	31	HW	12/23/2009	BRCOM	By BRCOM recommand	Change L71,L72 from 68nH to 150nH, C1070,C1071 from 1500pF to 390pF,C1887, C1888 from 150pF to 390pF.	A00
92	32	HW	12/23/2009	COMPAL	Change TCM to T1 version	Change TCM from SSX44B-D-T to SSX44-D-T1	A00
93	8, 15	HW	1/5/2010	COMPAL	cost saving for XDP,JTAG	De-pop R780~R785, R22, R24, R1241, R3, R6, R7, R19, R68, R1153, R1156, R1157, R66, C19, C20, R123, R804, R805, R806, R807, R1281, R1282, R1315	A00
94	33, 34	HW	1/5/2010	RICOH	CardBus change from ES2 to ES3	Change U94 from SA00003C21L to SA00003C22L	A00
95	39	HW	1/7/2010	COMPAL	RF team request to add 0.1uF capacitor on +5V_RUN of JTS1 to reduce 1811.5MHz noise	Add C114 on +5V_RUN of JTS1 for ATG configuration	A00
96	28, 37	HW	1/15/2010	COMPAL	Change SATA repeater material to power saving part	Change U95 and U96 part number to SA00003P10L	A00
97	26	HW	1/19/2010	Pericom	Pericom DP SW DP8200 has new silicon W version in stead of Y version	Change U9 to SA00003CD2L	A00
98	11	Acoustic	1/19/2010	COMPAL	To reduce acoustic noise	De-pop C53 and C54	A00

DELL CONFIDENTIAL/PROPRIETARY

		Compal Electronics, Inc.	
		Title: EE P.I.R (3/3)	
Size	Document Number	Rev	
	LA-5471P	1.0	
Date:	Wednesday, January 20, 2010	Sheet	55 of 57

PROPRIETARY NOTE: THIS SHEET OF ENGINEERING DRAWING AND SPECIFICATIONS CONTAINS CONFIDENTIAL TRADE SECRET AND OTHER PROPRIETARY INFORMATION OF DELL INC. ("DELL") THIS DOCUMENT MAY NOT BE TRANSFERRED OR COPIED WITHOUT THE EXPRESS WRITTEN AUTHORIZATION OF DELL. IN ADDITION, NEITHER THIS SHEET NOR THE INFORMATION IT CONTAINS MAY BE USED BY OR DISCLOSED TO ANY THIRD PARTY WITHOUT DELL'S EXPRESS WRITTEN CONSENT.

Version Change List (P. I. R. List)

Item	Page#	Title	Date	Request Owner	Issue Description	Solution Description	Rev.
1	50	Selector	7/20	TI	CSS GC logic wrong issue	Add PR282 180_ohm to GND	X01
2	46	1.5V_MEM	7/20	Compal ADC Guangyong	Add droop resistor for TI solution	Add PR77	X01
3	45	+3.3V/+5V	8/17	Compal ADC Guangyong	Change 3V/5V choke for cost down	change PL5 from SH00000H90L to SH00000FN0L change PL6 from SH00000HB0L to SH00000HR0L	X01
4	50	Selector	8/17	Compal	Add 1M_ohm pull down to fix ACAV_IN_NB oscillation when battery mode S5	Add PR283	X01
5	50	Selector	8/17	TI	new version CD3301 (PG2.1) don't need PD22 and PR282	depop PD22 add PR282, pop PR430	X01
6	50	Selector	8/17	TI	DOCK_AC_OFF_EC floating issue	add PR285	X01
7	49, 52	+VCORE +VGFX_CORE	8/17	Compal	change thermistor package from 0603 to 0402 for cost down	Change PH3,PH4,PH5 and PH802 from SL200000B0L to SL200000W0L	X01
8	47	1.8V_RUN	8/18	MAXIM	Output ripple voltage unstable issue	Change PC314 from SE00000868L(22u/0805) to SE00000000L(100u/1206) Change PR409 from SD03480618L (8.06k) to SD03460418L (6.04k) Change PR410 from SD03440218L(4.02k) to SD03430118L(3.01k) Change PR408 from SD014402A8L(40.2 Ohm) to SD000008H8L(51 Ohm) Change PC315 from SE000003W8L(820pF) to SE076333K8L (3300pF) Change PR411 from SD00000268L(6.98K) to SD03445318L(4.53K) Change PC310 from SE074102K8L(1000P) to SE074472K8L(4700pF) Change PC309 from SE071330J8L (33pF) to SE071560J8L (56pF) Change PC311 from SE042104K8L(.1u/0603/25V) to SE076104K8L(.1u/0402/16V) Add PR413 SD02800008L (0 Ohm)	X01
9	52	Vcc_gfx_core	8/19	Compal	Low side Vds ring over SPEC	Change PQ802 and PQ803 from SB00000KP0L(BSC882N03MS) to SB00000KM0L(FDMS7660)	X01
10	52	Vcc_gfx_core	8/20	Compal	Fine tune Imon time constant meet Intel SPEC 300uS~500uS	Change PC801 from SE068103K8L(0.01uF) to SE076153K8L(0.015uF)	X01
11	52	Vcc_gfx_core	8/20	Maxim	Fine tune transient RC time constant	Add PC816 SE076333K8L (0.033uF)	X01
12	49	+VCORE MAX17030	8/20	Maxim	Vcore FDIM issue	Change PR102, PR103 and PR104 from SD013220B8L(2.2) to SD00000V98L (1.1) Change PR310, PR311 and PR312 from SD03430118L(3.01k) to SD03424918L(2.49k) Change PR307, PR308 and PR309 from SD03422118L(2.21k) to SD03417418L(1.74k) Change PR137 from SD03449910L(4.99k) to SD03447518L(4.75k) Add PC271,PC272 and PC273 SE075223K8L(0.022uF)	X01
13	48	+1.05VM/ +1.05VTT	8/20	ON	Fine tune DC accurcay	Change PR188 and PR201 from SD03451018L(5.1k) to SD00000U28L(4.3k) Change PR199 and PR203 from SD03416228L(16.2k) to SD03413728L(13.7k) Change PR198 from SD03468008L(680 Ohm) to SD03418008L(180 Ohm) Change PR202 from SD03468008L(680 Ohm) to SD03410008L(100 Ohm) Change PC108 and PC116 from SE074331K8L(330p) to SE074471K8L(470p) Change PR200 from SD00000DM0L(200k) to SD03451028L(51k) Change PC115 from SE071300J0L(SE071300J0L) to SE071220J8L(22P) Change PC106 from SE071300J0L(30P) to SE071330J8L(33P) Change PR204 from SD03447518L(4.75K) to SD03452318L(5.23K) Change PR205 from SD03444228L(44.2K) to SD03424028L(24K) Change PR207 from SD00000LZ0L(3.83K) to SD00000J20L(4.32K) Change PR208 from SD03482518L(8.25k) to SD03464918L(6.49k)	X01

Version Change List (P. I. R. List)

Item	Page#	Title	Date	Request Owner	Issue Description	Solution Description	Rev.
14	47	1.8V_RUN	8/25	DELL	1.8V transient 0.1A ~ 1.6A output voltage over spec	Change PU301 from SA00003B10L(MAX15050) to SA00003CG0L (ISL8014) and support circuit	X01
15	49	Vcore	8/25	MAXIM	Improve DC accuracy	Change exposed pad to PGND from AGND	X01
16	49	Vcore	8/25	MAXIM	Vender recommend PSI# pull down 10k	Change PR334 from SD03410018L (1k) to SD02810028L(10k)	X01
17	51	Charger	8/25	Compal ADC Guangyong	Improve charger choke saturation current at 100 degree C	Change PL14 from SH04856AM8L (5.6u) to SH00000I60L (5.6u)	X01
18	44	DCIN	8/25	Compal	3.3V_ALW2 black driver issue with RTC battery only	Change PD1 from SC100000Q0L(BAT54CW) to SCSB715F08L (RB715F)	X01
19	49	Vcore	8/27	Compal	Reserve resistor pad for debug	Add PR122 and PR123	X01
20	49	Vcore	9/01	MAXIM	Fine tune Imon time constant meet Intel SPEC 300uS~500uS	Change PC270 from SE075223K8L (0.022U) to SE076333K8L (.033U)	X01
21	49	Vcore	9/01	MAXIM	Make sure DPRSLPVE low level under 0.33V	Change PR109 from SD03449908L (499 Ohm) to SD02800008L (0 Ohm)	X01
22	44	DC_IN	10/13	TI	High inrush current on DC_IN when AC adapter plug in	Change PR20 from SD02800008L(0 Ohm) to SD02810028L(10k)	X02
23	49	Vcore	10/20	MAXIM	3 phase overlap issue with 2nd source MOSFET	Add PC198, PC199, PC255, PC256, PC259 and PC260 SE074122K8L (1200pF)	X02
24	48	+1.05VTT	10/28	INTEL	Fine tune H_VTTPWRGD voltage level meet Vih(min) = 0.75 * Vtt	Change PR94 from SD03410028L (10k) to SD03427418L (2.74K) Change PR93 from SD03428728L (28.7k) to SD03493118L (9.31K)	X02
25	49, 52	+VCORE +VGFX_CORE	11/03	Compal	change thermistor package from 0603 to 0402 for cost down	Change PH1 and PH801 from SL20000068L (100K 0603) to SL20000160L (100K 0402)	X02
26	48	+1.05VTT/ +1.05VM	11/16	ON	Bost diode over stress	Change PD19 and PD27 from SC1B751V08L(RB751V) to SCS00003M0L(BAT54HT1G)	X02
27	52	+VGFX_CORE	11/24	MAXIM	Fine tune transient and load line for 2nd and 3rd source choke.	Change PR828 from SD03424918L (2.49k 0402) to SD00000408L (2.2k 0402) Change PR827 from SD03430118L (3.01k 0402) to SD03424918L (2.49k 0402) Change PR816 from SD03411028L (11k 0402) to SD02810228L (10.2k 0402)	X02
28	52	+VGFX_CORE	11/24	MAXIM	Two 4.7k PD on GFX_VR_ON at both EE side and PWR side. Depop PWR side 4.7k PD.	Depop PR809 SD02847018L (4.7K 0402)	X02
29	51	Charger	01/12	Compal	Reduce Pin33,34 and 35 of the CD3301 surge current	Change PC351 from SE00000130L (1u/0805) to SE043104M8L (0.1u/0805) Change PR404 from SD02800008L (0 Ohm) to SD028100B8L (1 Ohm)	A00

www.s-manuals.com