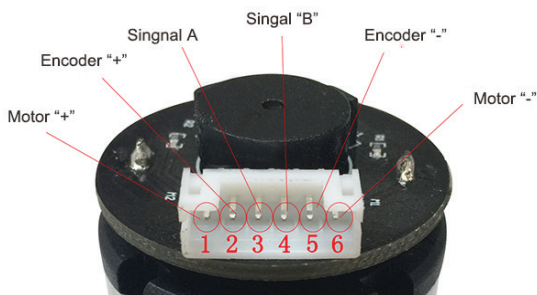




## IV. TECHNICAL SPECIFICATIONS - GENERAL DETAILS

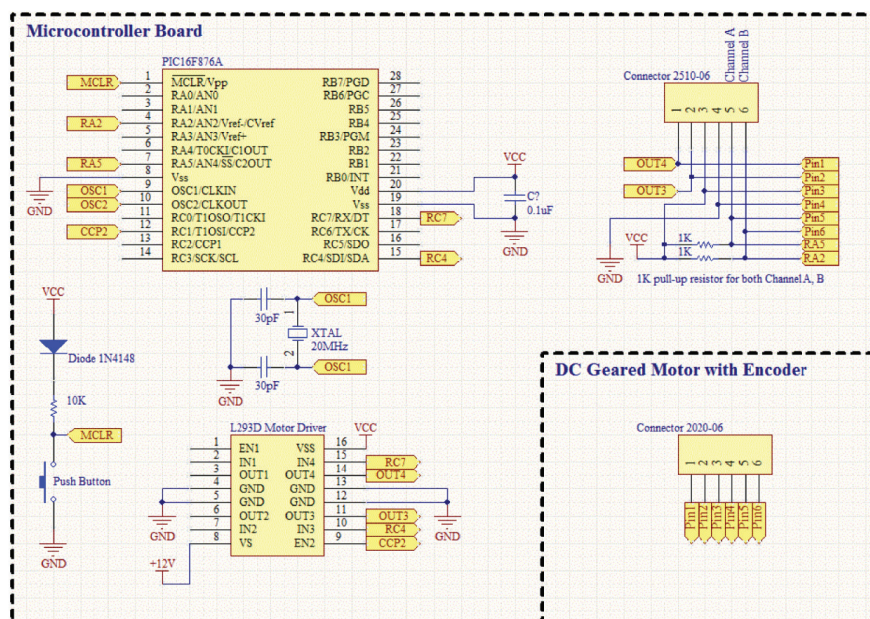
Designation	Units	Value
Temperature range / humidity range	°C / %	~ -10°C to ~ +50°C / ~30% to ~80%
Storage Temperature	°C	~ -20°C to ~+60°C
Maximum torque	KG • cm	28 Kg • cm
Rated power	W	5.2 W
Shaft End Play	mm	0.05 ~0.3 mm
Load Speed measures	/	±10%

## V. TECHNICAL SPECIFICATIONS - PIN DESCRIPTION



Pin	Name	Description
1	Motor "+"	Output of the motor driver
2	Encode "+"	Supply voltage for sensor circuit
3	Channel "A"	Output of the encoder
4	Channel "B"	Output of the encoder
5	Encode "-"	Ground for sensor circuit
6	Motor "-"	Output of the motor driver

## VI. SAMPLE SCHEMATIC DIAGRAM



Schematic provided is an example with respect to the sample source code provided. RC4, RC7, RA2, and RA5 can be replaced by any other digital I/O pins. Besides, for PWM control, user can also use CCP1 instead of CCP2. For Channel A and channel B, this sample (schematic and source code) shows continuous monitoring of quadrature signals which can be done by any digital I/O pin. Users are encouraged to modify the schematic and source code to allow use of external interrupt to count the rising or falling edge of either channel to reduce the processing power used by monitoring both channel A and B.