

MT1389D V1.7

FOR: HOP1200

HB	C29A	1uF	DVDA
HA	C31G	1uF	DVDB
HD	C32A	1uF	DVDC
HC	C32B	1uF	DVDD

MD60 (SAMSUNG)
MD60 (SAMSUNG)
MD60 (SAMSUNG)

R204, R205=100R
R204, R205=0R
R204, R205=0R

AM5868S/5668

REW	FWD
TRCLOSE	TROPEN
LOAD+	LOAD-
TRIN	TROUT
MDI1	MDI2

MUTE DAC

URST#	<< MUTE_DAC	[5]
Y[3..6]	<< Y[3..6]	[5]
FSD	<< FSD	[4]

VIDEO INTERFACE

AD[21]	<< AD[21]	[3]
AD[0..7]	<< AD[0..7]	[3]
PRD#	<< PRD#	[3]
PWR#	<< PWR#	[3]
PCE#	<< PCE#	[3]

FLASH

MA[0..11]	<< MA[0..11]	[3]
DA[0..15]	<< DA[0..15]	[3]
BA[0..1]	<< BA[0..1]	[3]
DM[0..1]	<< DM[0..1]	[3]
DCLK	<< DCLK	[3]

DCKE

DCKE	<< DCKE	[3]
CAS#	<< CAS#	[3]
RAS#	<< RAS#	[3]
WE#	<< WE#	[3]
CS#	<< CS#	[3]

MEMORY

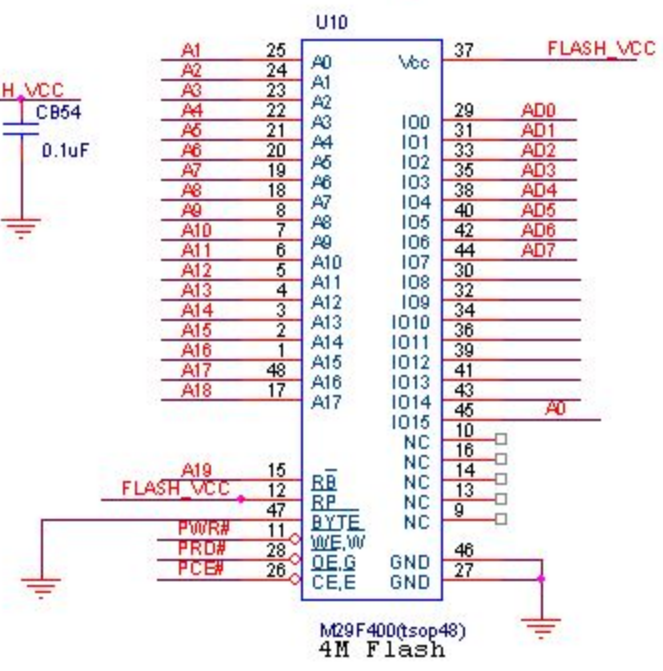
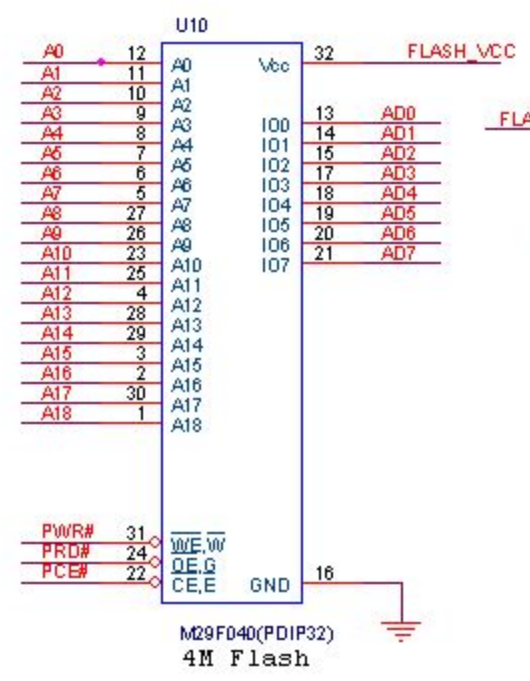
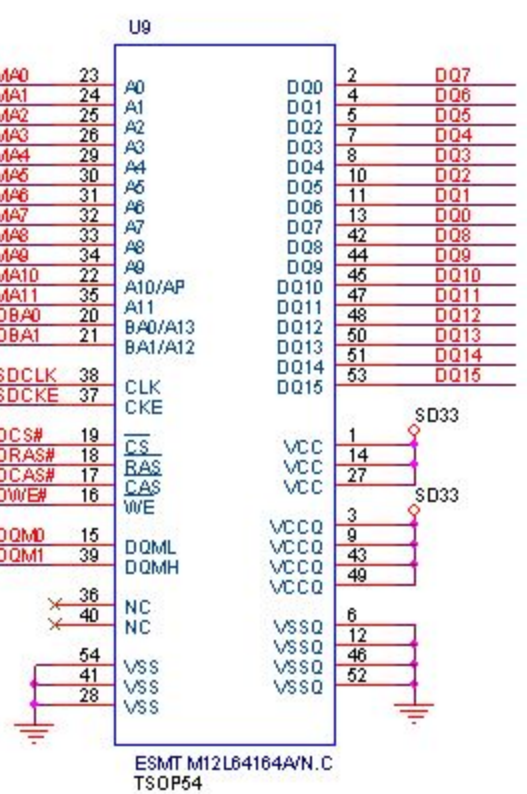
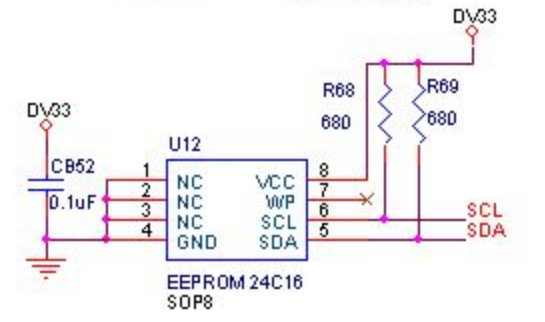
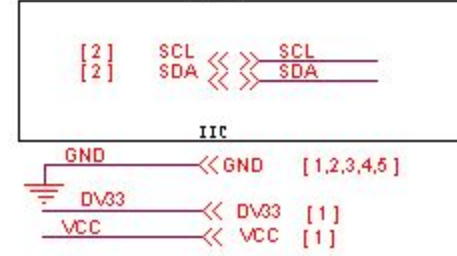
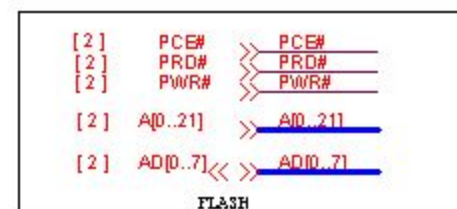
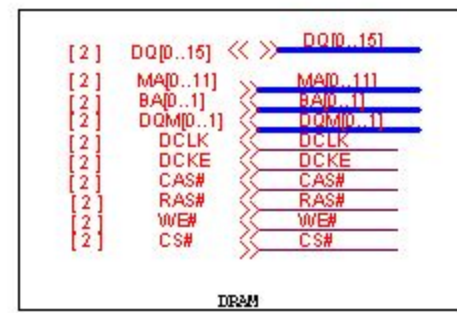
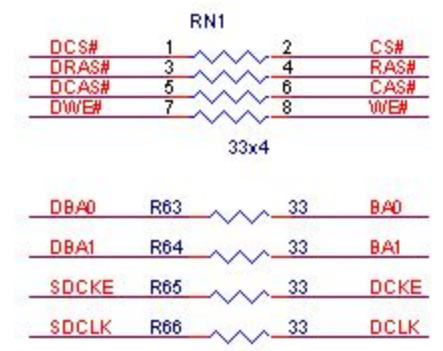
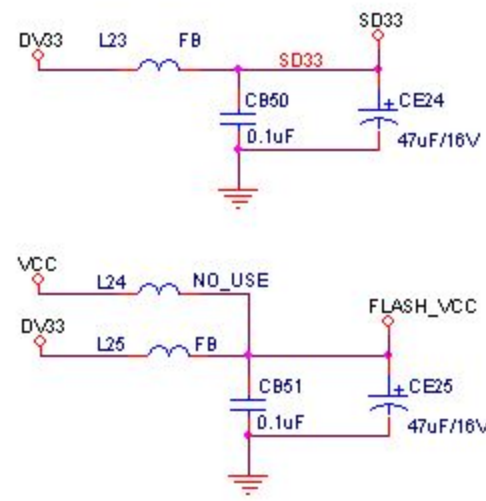
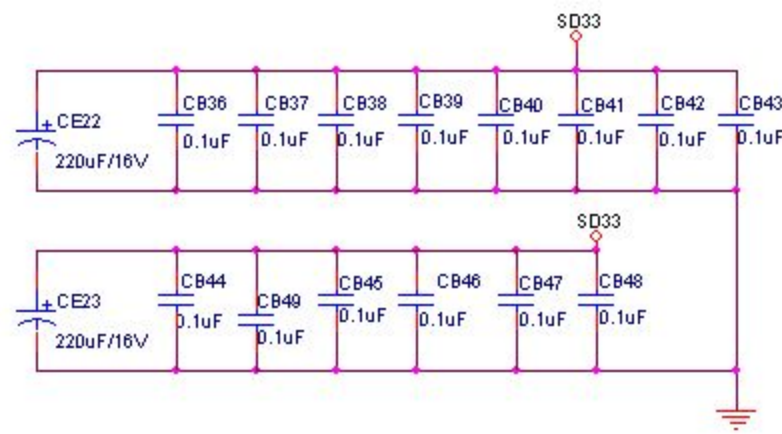
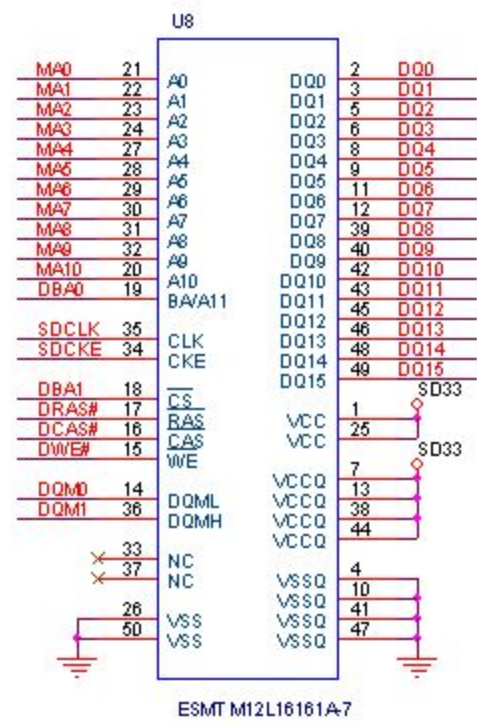
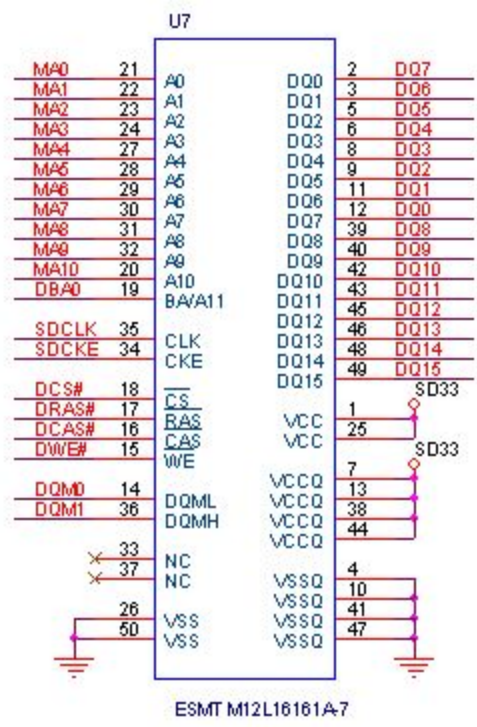
SCL	<< SCL	[3]
SDA	<< SDA	[3]

IIC

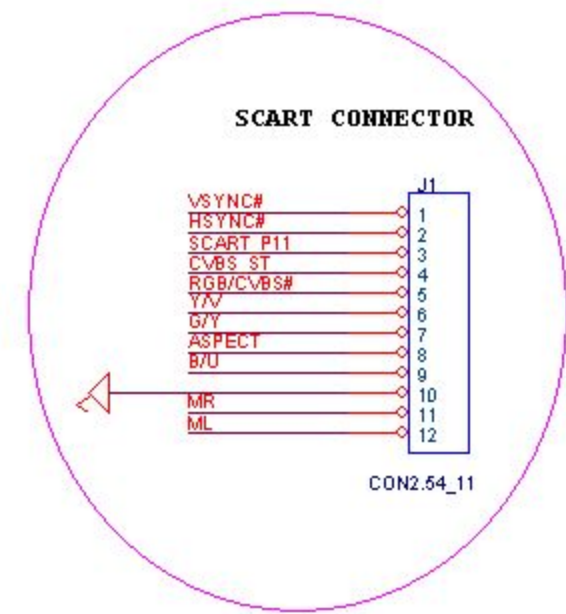
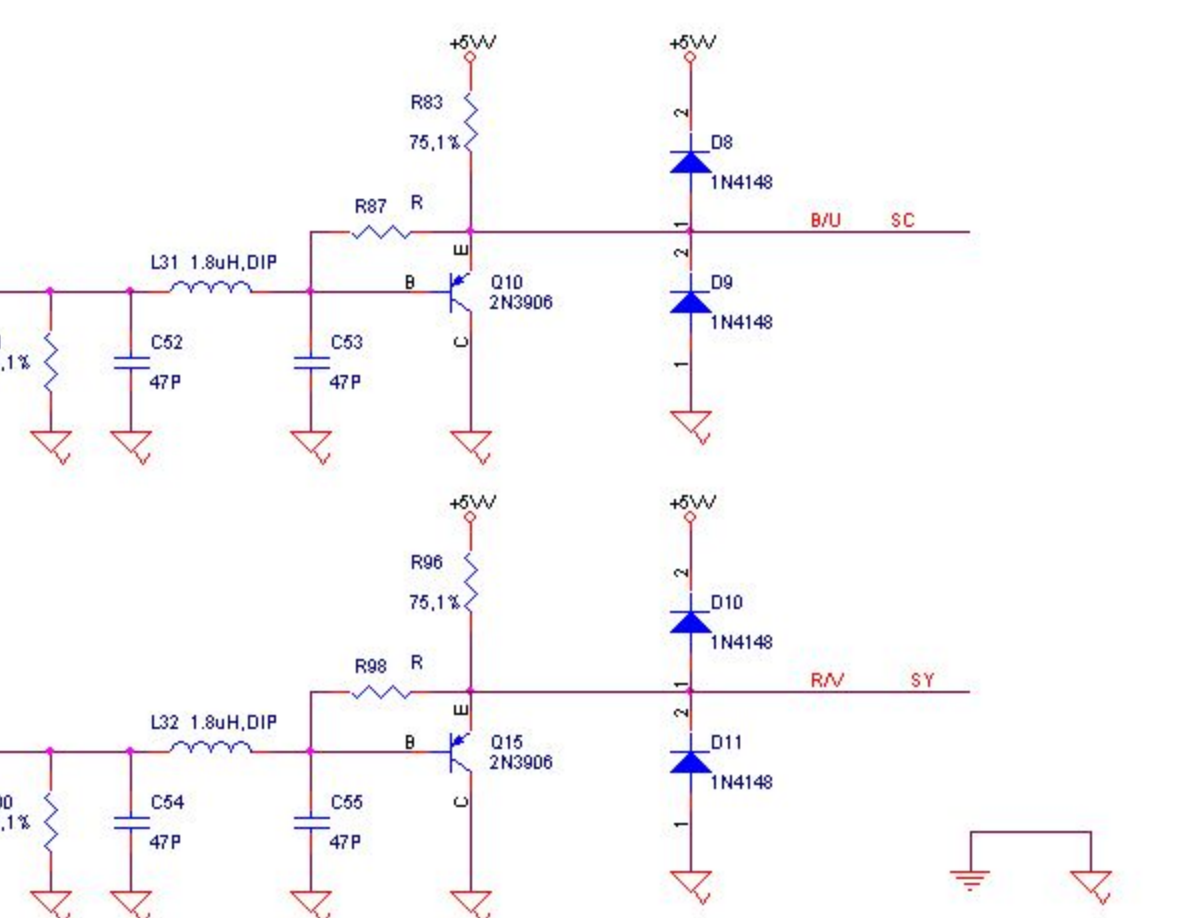
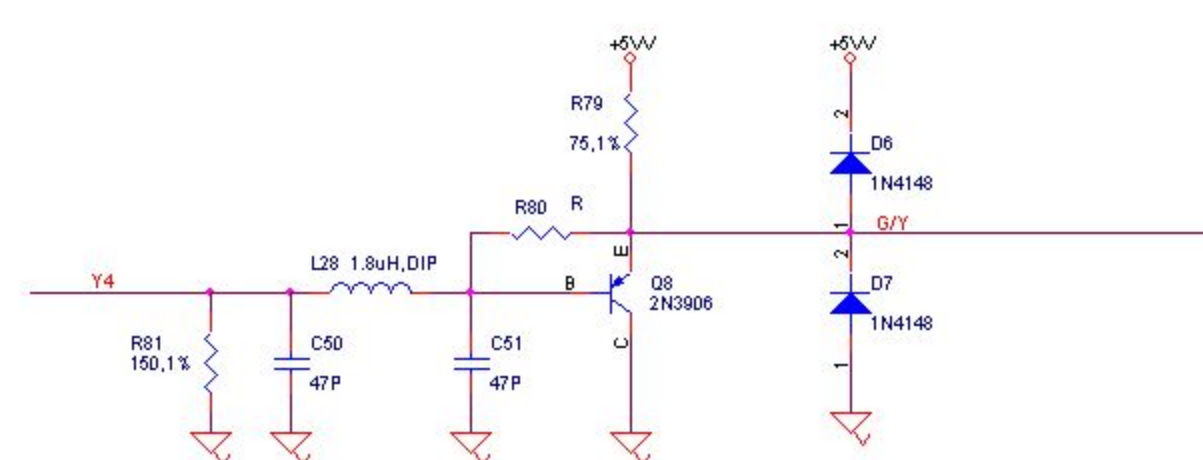
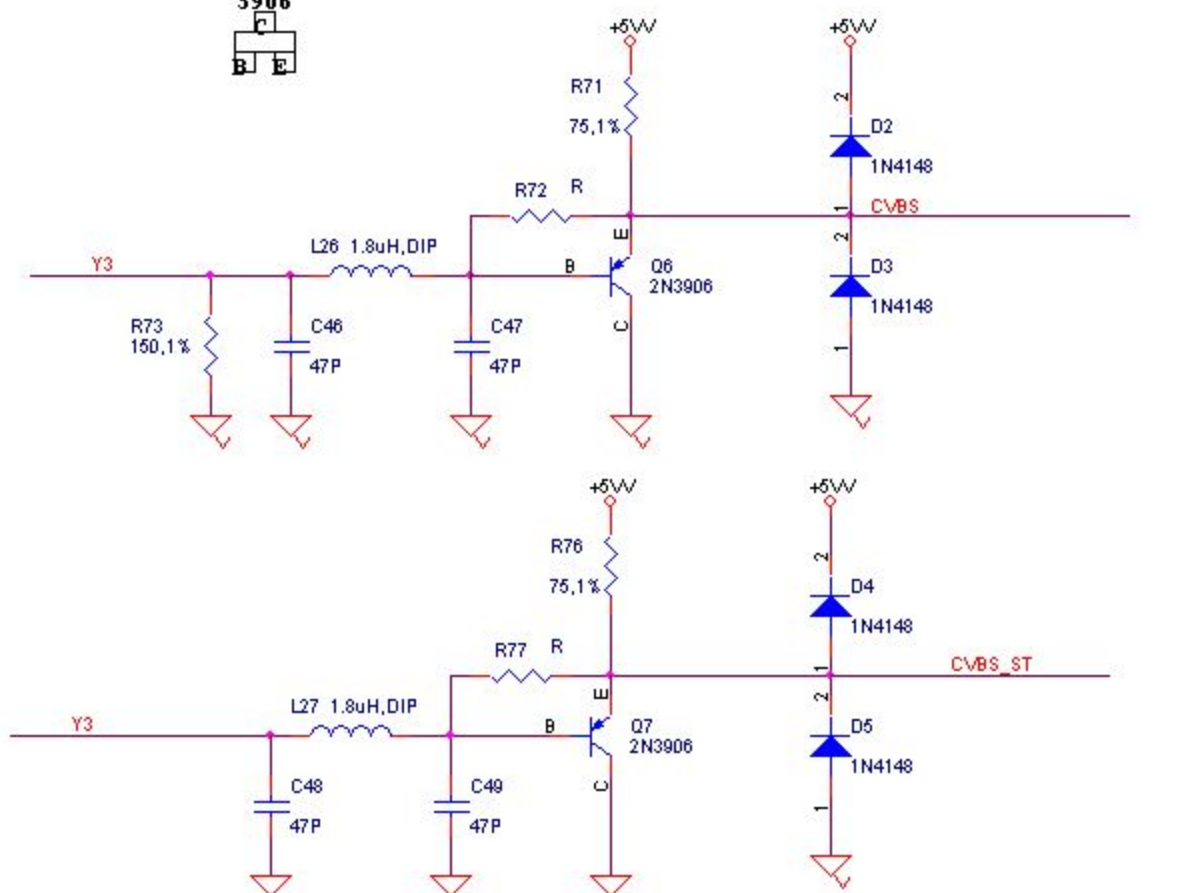
ASDAT[0..21]	<< ASDAT[0..21]	[5]
AL	<< AL	[5]
AR	<< AR	[5]
VSC	<< VSC	[5]
VSDA	<< VSDA	[5]
ASTB	<< ASTB	[5]
ALCK	<< ALCK	[5]
ABCK	<< ABCK	[5]
ASPDIF	<< ASPDIF	[4]

AUDIO INTERFACE

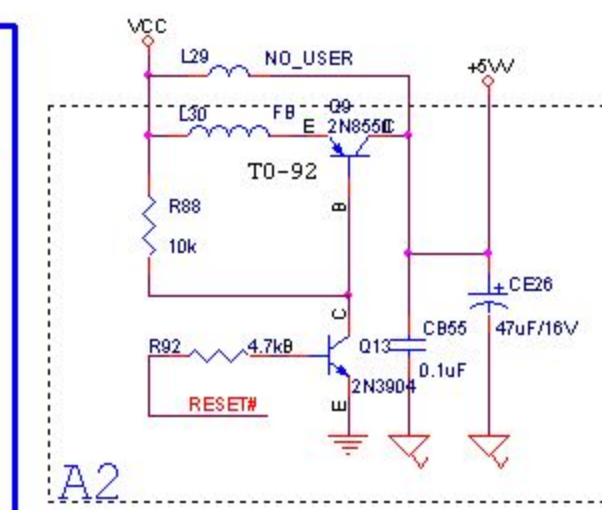
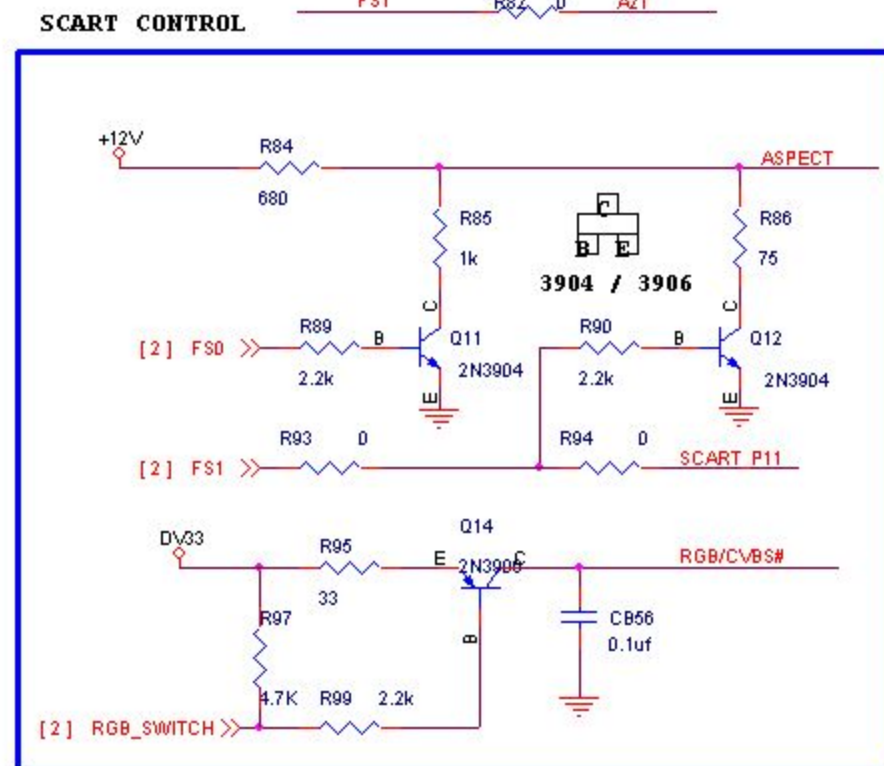
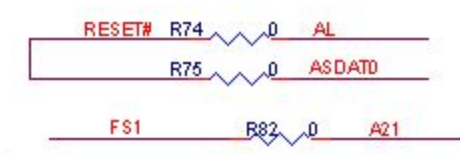
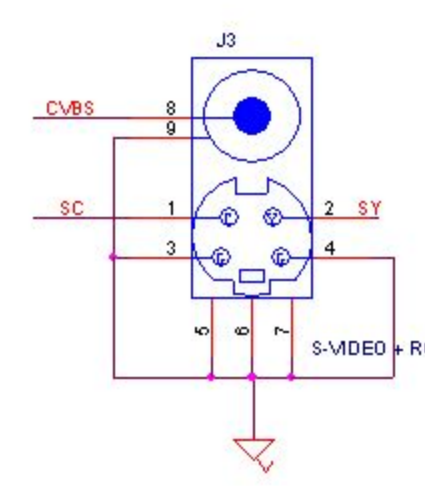
GND	<< GND	[1,2,3,4,5]
DV33	<< DV33	[1]
VCC	<< VCC	[1]

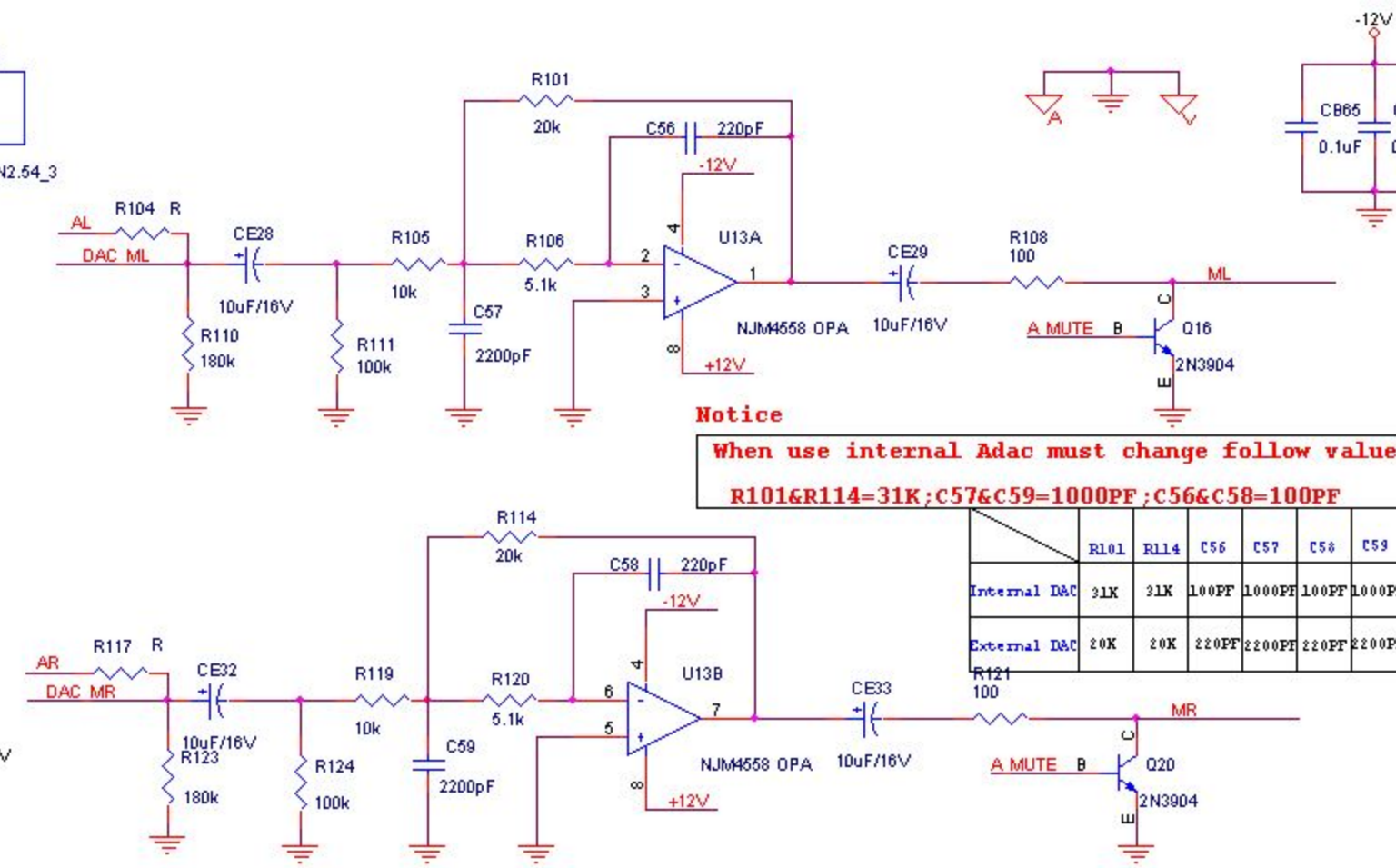
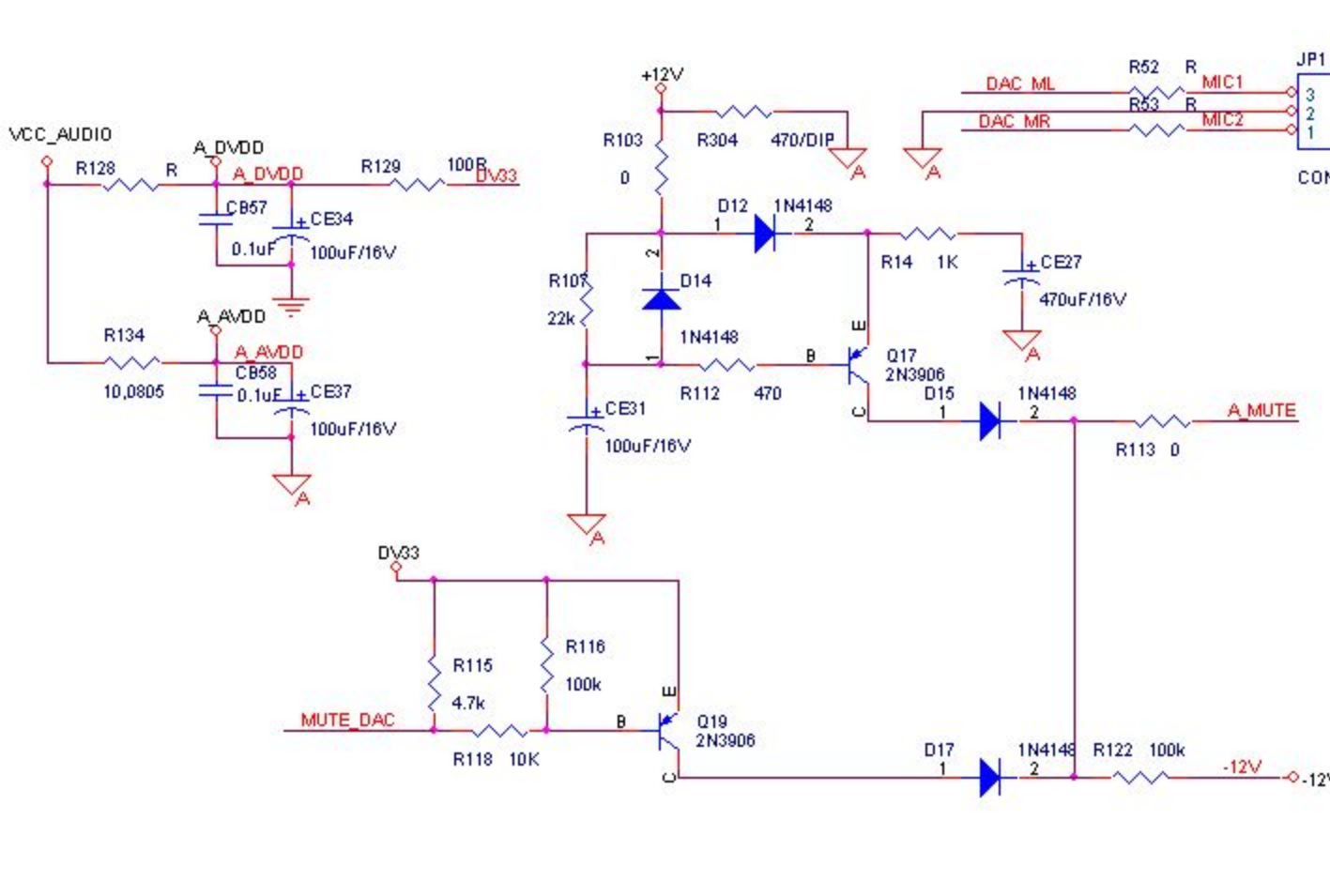


3906



Y3_01	<< Y[3..6]	[2]
AL	<< AL	[2]
AR	<< AR	[2]
ML	<< ML	[5]
MR	<< MR	[5]
G/Y	<< G/Y	[5]
B/U	<< B/U	[5]
R/V	<< R/V	[5]
FSD	<< FSD	[2]
AZ1	<< AZ1	[2]
ASDATD	<< ASDATD	[2]
RGB_SWITCH	<< RGB_SWITCH	[2]
GND	<< GND	[1]
VCC	<< VCC	[1]
+12V	<< +12V	[1]
-12V	<< -12V	[1]

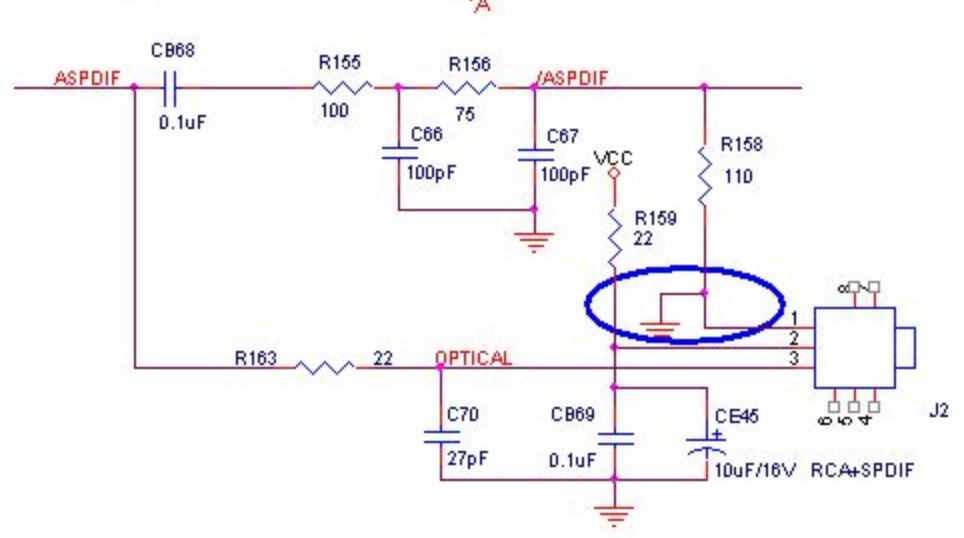
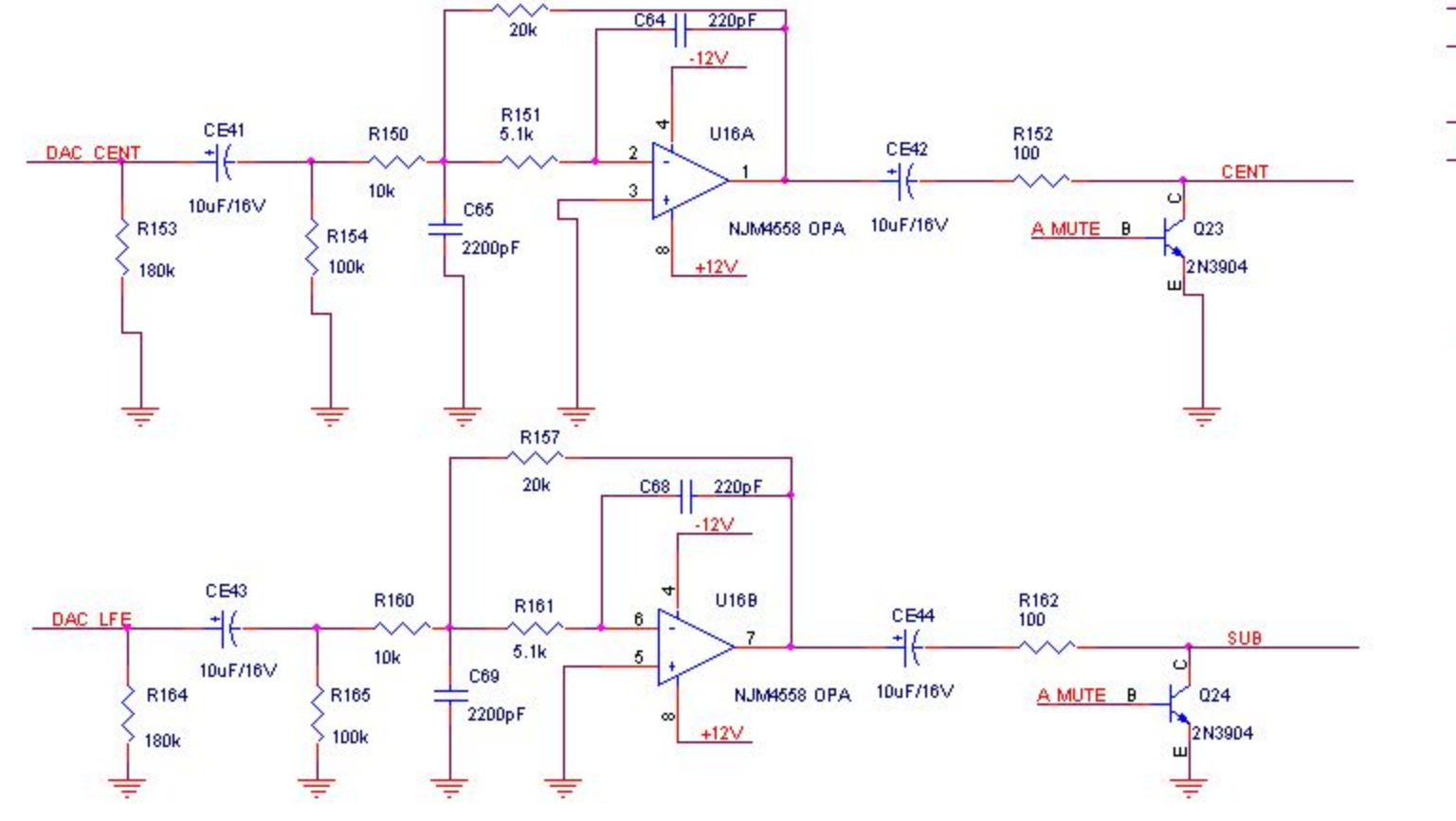
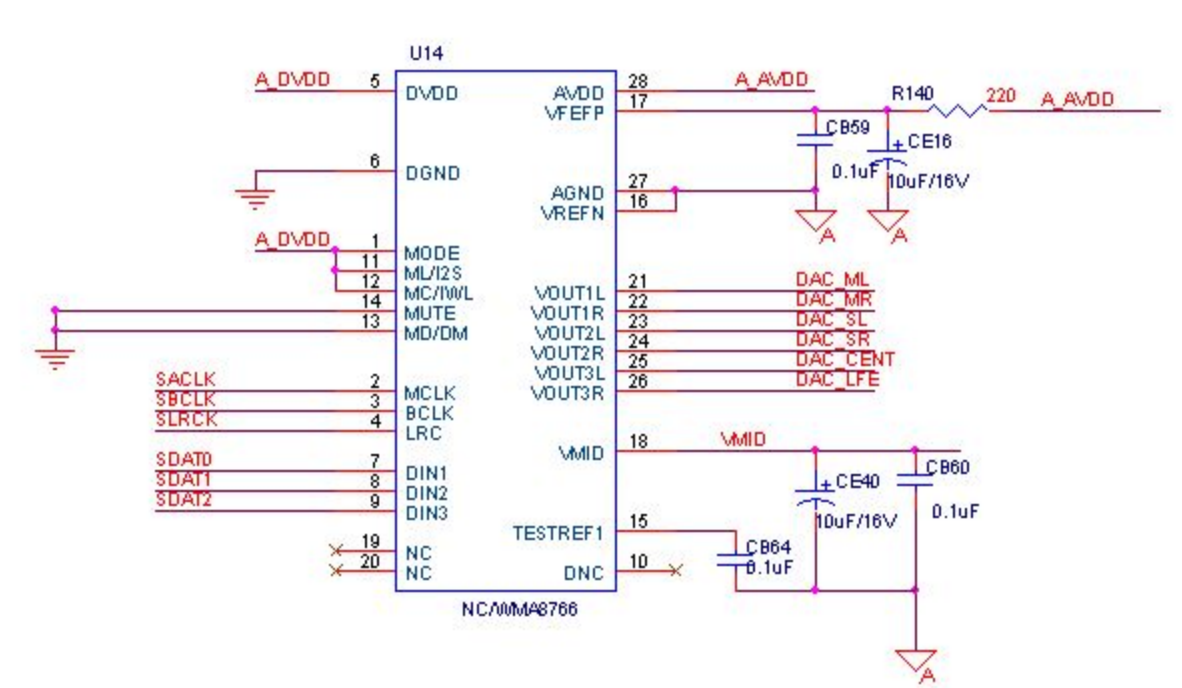
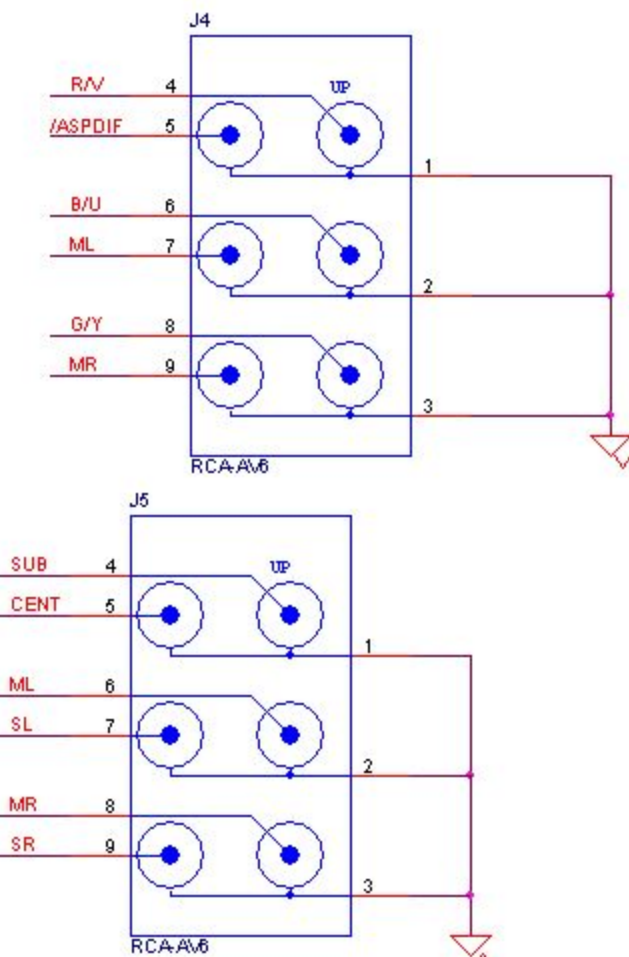
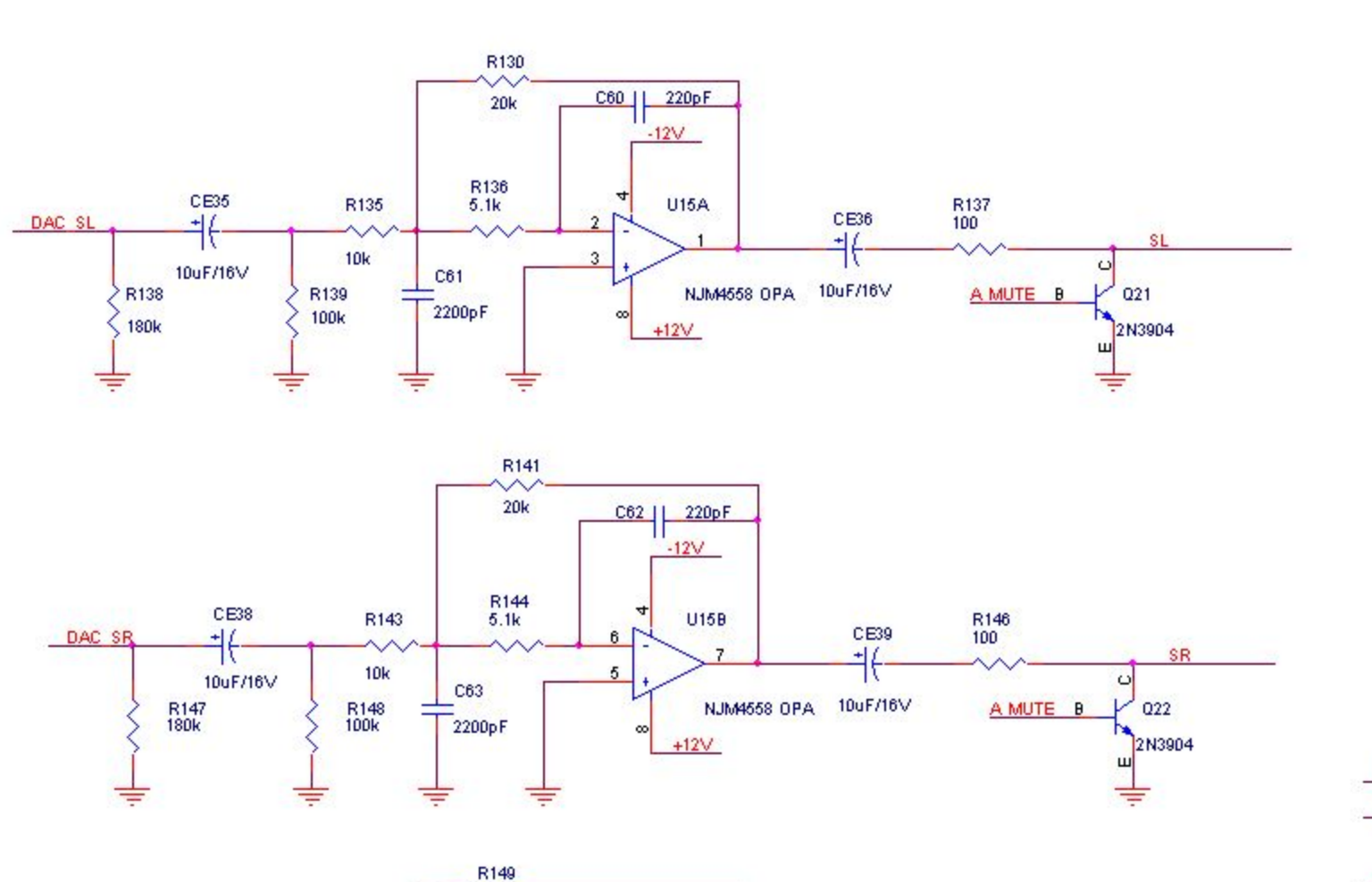
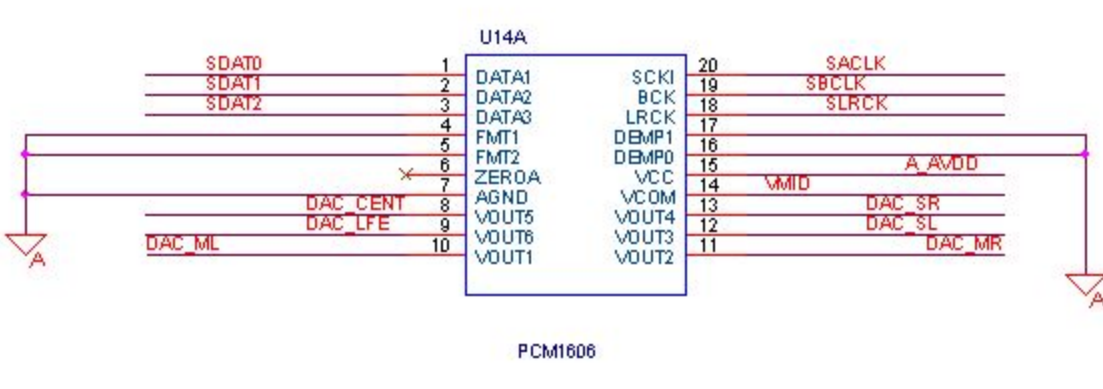
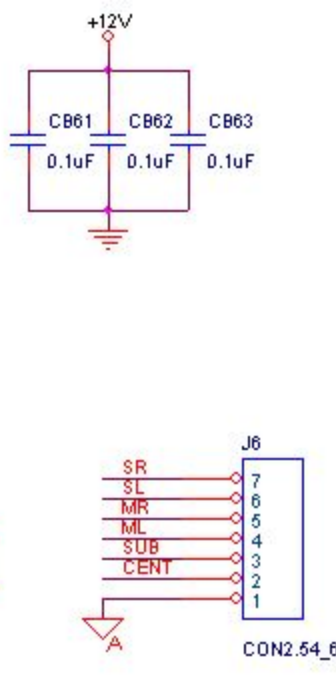




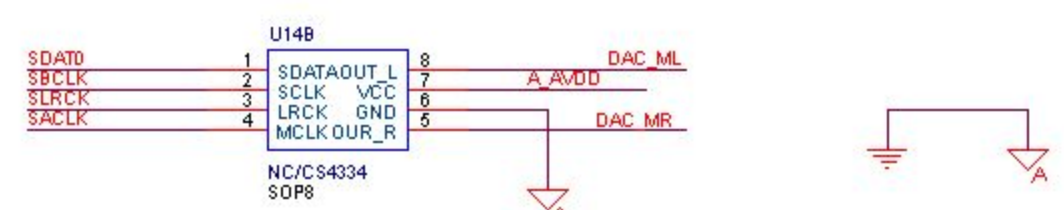
Notice
When use internal Adac must change follow value
R101&R114=31K; C57&C59=1000PF; C56&C58=100PF

	R101	R114	C56	C57	C58	C59
Internal DAC	31K	31K	100PF	1000PF	100PF	1000PF
External DAC	20K	20K	220PF	2200PF	220PF	2200PF

- G/Y >> G/Y [4]
 - B/U >> B/U [4]
 - R/V >> R/V [4]
- [1] -12V >> -12V
 - [1] +12V >> +12V
 - [1] DV3 >> DV3
 - [1] VCC >> VCC
 - [1] VCC_AUDIO >> VCC_AUDIO
 - [1,2,3,5] GND >> GND
- [2] AL >> AL
 - [2] AR >> AR
- [2] ASPDIF >> ASPDIF
 - [2] ASDAT[0..2] >> ASDAT[0..2]
 - [2] ACLK >> ACLK
 - [2] ABCK >> ABCK
 - [2] ALRCK >> ALRCK
- [2] MUTE_DAC >> MUTE_DAC
 - [4] ML >> ML
 - [4] MR >> MR
- ACLK R125 >> 33 SACLK
 - ALRCK R126 >> 33 SLRCK
 - ABCK R127 >> 33 SBCLK
- ASDAT0 R131 >> 33 SDAT0
 - ASDAT1 R132 >> 33 SDAT1
 - ASDAT2 R133 >> 33 SDAT2



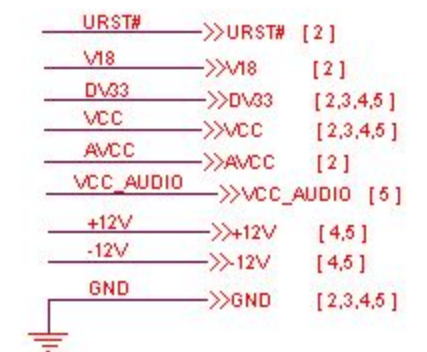
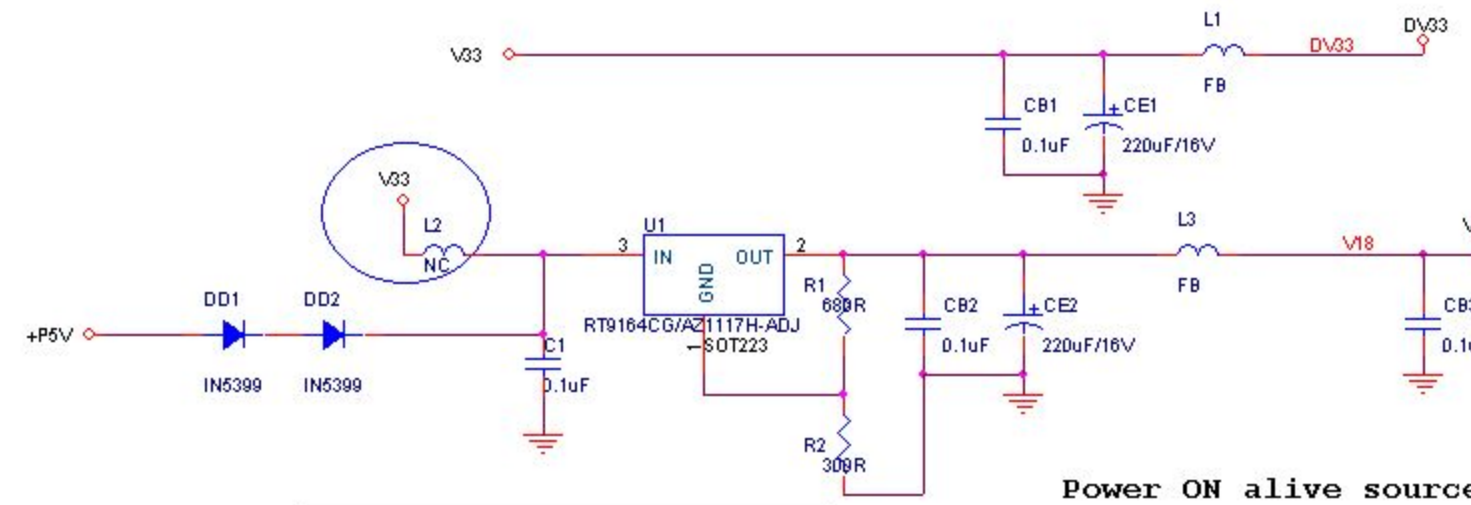
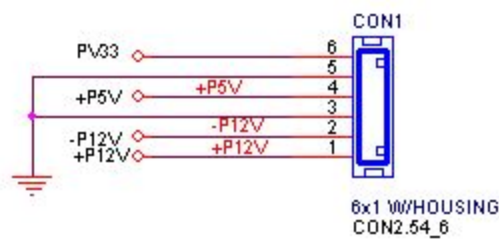
HARDWARE: IIS 24BIT



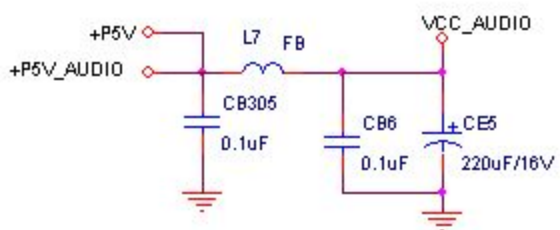
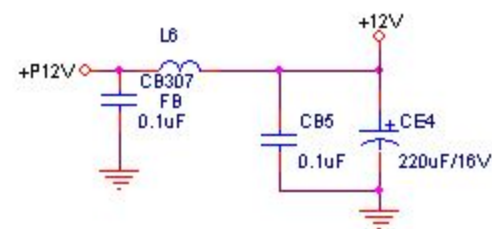
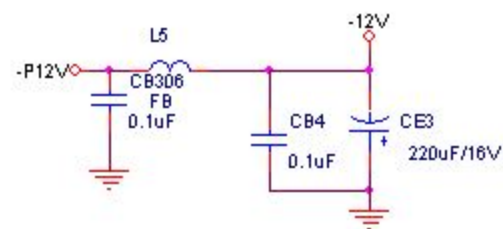
MT1389D (LQFP216) DVD Demo Board for Sanyo Slim HD60 PUH

- 1 INDEX & POWER, RESET
- 2 RF, SERVO & MPEG - MT1389E
- 3 MEMORY - SDRAM, FLASH/EEPROM
- 4 VIDEO OUT
- 5 AUDIO DAC WMA8766

NAME	TYPE	DEVICE
VCC	Digital 5V	SUPPLY
DV33	Digital 3.3V	MT1389E
RFV33	Servo 3.3V	MT1389E
LDO_AV33	Laser Diode 3.3V	
AVCC	RF 5V	PICKUP HEADER
V18	Digital 1.8V	MT1389E
SD33	Digital 3.3V	SDRAM
+12V	Audio +12V	OP AMP.
-12V	Audio -12V	OP AMP.
AVDD	Audio 5V	Audio DAC
DVDD	Audio 3V3	Audio DAC



Regulator	R2	R1
Fix regulator	0 ohm	OFF
Adj regulator	300 1%	680 1%



PV33 V33

